

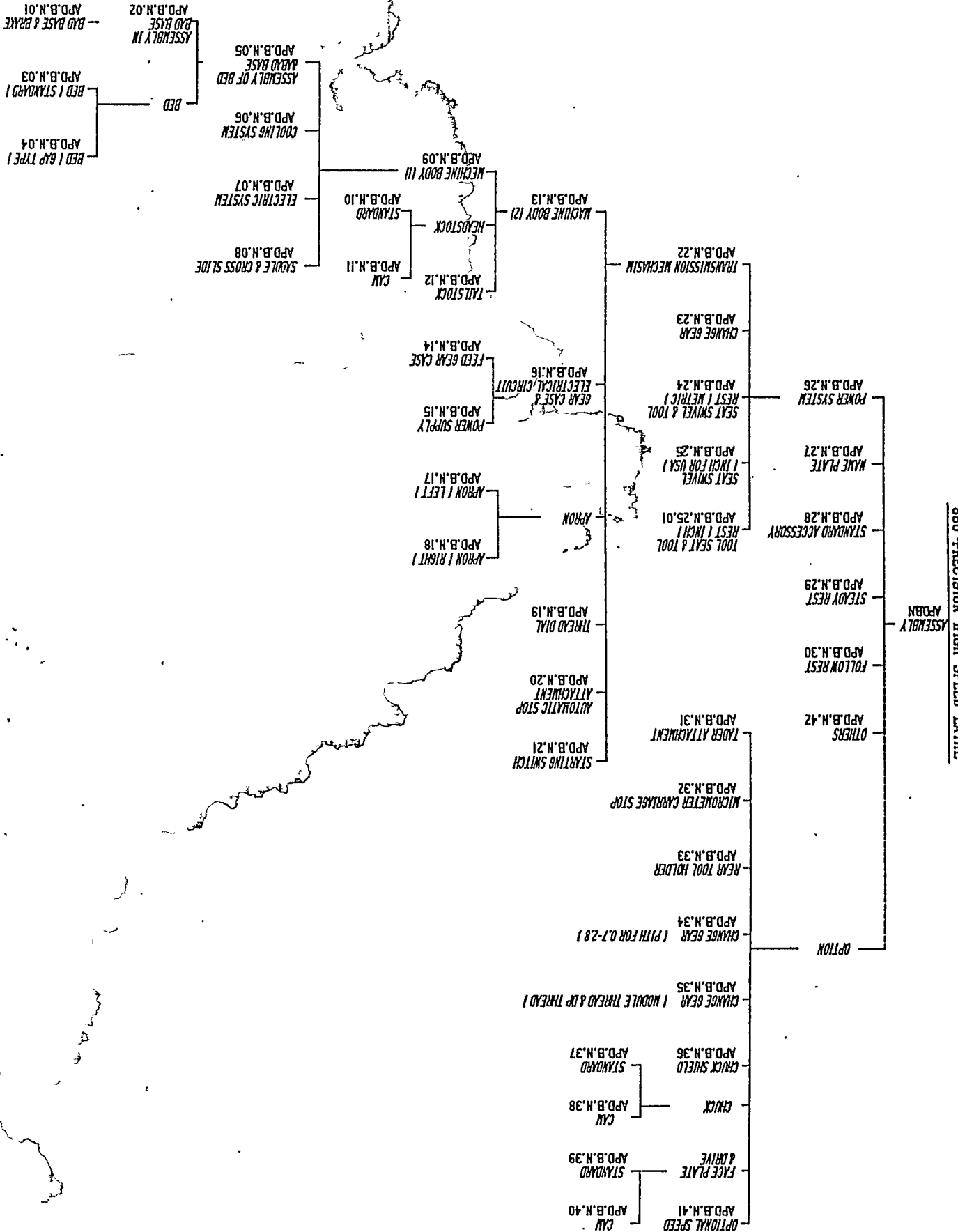


# INDEX

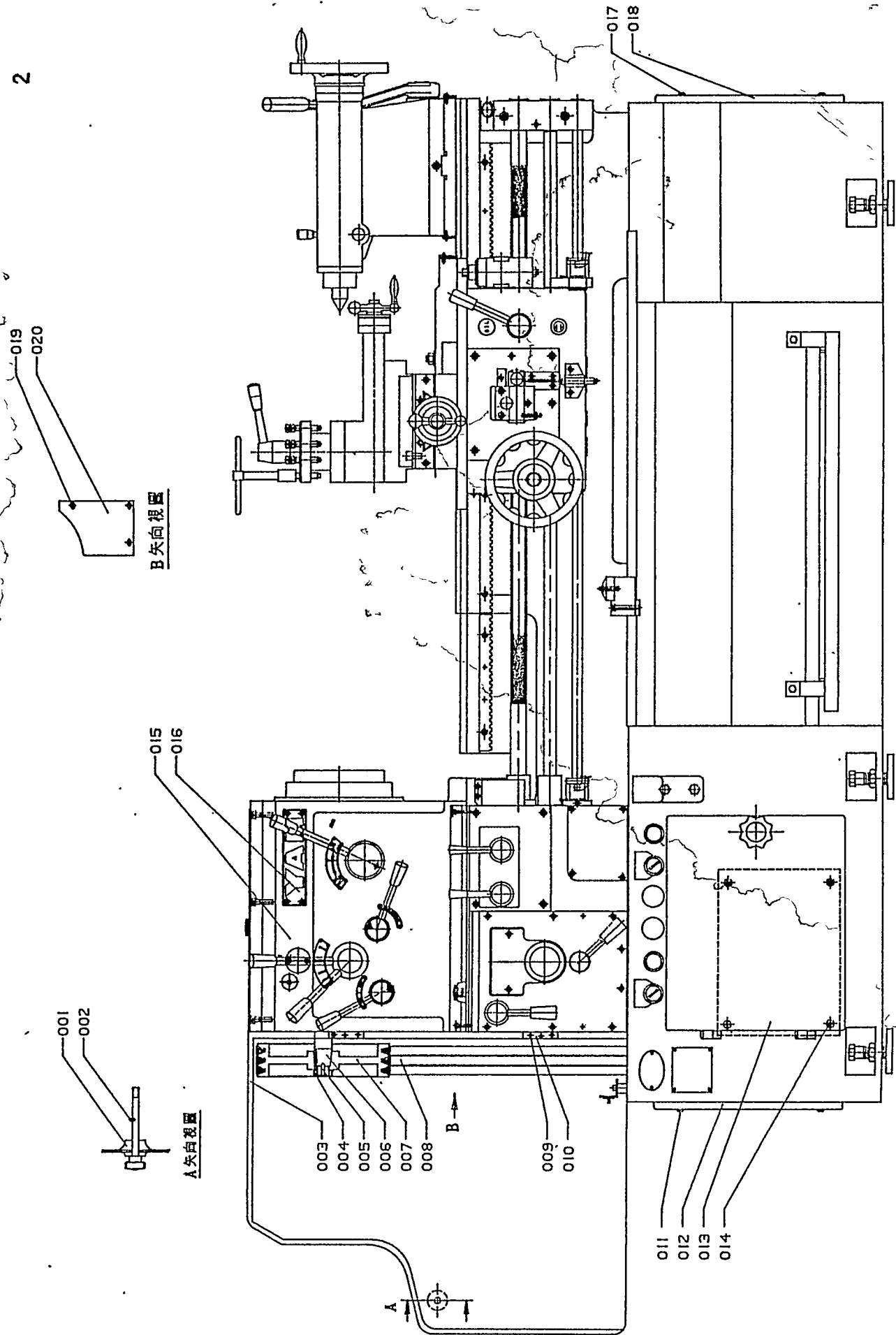
# ILLUSTRATION


PART NAME	PART NO.	SEL.	PART NAME	PART NO.	SEL.
ASSEMBLY	APD.B.N	1-C	SEAT SWIVEL (INCH FOR U.S.A)	APD.B.N.25	B
BED BASE AND BRAKE	APD.B.N.01	5	TOOL SEATE & TOOL REST (INCH)	APD.B.N.25.01	B
ASSEMBLY IN BED BASE	APD.B.N.02	2-4	POWER SYSTEM	APD.B.N.26	1-C
BED (STANDARD)	APD.B.N.03	5,9	NAME PLATE	APD.B.N.27	1,7,C
BED (GAP TYPE)	APD.B.N.04	5,9	STANDARD ACCESSORY	APD.B.N.28	1,5,8,C
ASSEMBLY OF BED & BED BASE	APD.B.N.05	5,6	STEADY REST (STANDARD)	APD.B.N.29	B
COOLING SYSTEM	APD.B.N.06	4,A	FOLLOW REST (STANDARD)	APD.B.N.30	B
ELECTRIC SYSTEM	APD.B.N.07	1,4,C	TAPER ATTACHMENT (OPTION)	APD.B.N.31	7,B
SADDLE & CROSS SLIDE	APD.B.N.08	7,9,C	MICROMETER CARRIAGE STOP (OPTION)	APD.B.N.32	NONE
MACHINE BODY (I)	APD.B.N.09	1-7 9-C	REAR TOOL HOLDER (OPTION)	APD.B.N.33	B
HEADSTOCK (STANDARD)	APD.B.N.10	B	CHANG GEAR (PITCH 0.7-2.8) (OPTION)	APD.B.N.34	B
HEADSTOCK (CAM)	APD.B.N.11	B	CHANG GEAR (OPTION) (MODULE & DP THREAD)	APD.B.N.35	B
TAILSTOCK	APD.B.N.12	7,B	SPLASH GUARD (OPTION)	APD.B.N.36	5
MACHINE BODY (2)	APD.B.N.13	1-C	CHECK STANDARD (OPTION)	APD.B.N.37	NONE
FEED GEAR CASE	APD.B.N.14	5,7	CHECK CAM (OPTION)	APD.B.N.38	NONE
POWER SUPPLY	APD.B.N.15	NONE	FACE PLATE & DRIVE PLATE STANDARD (OPTION)	APD.B.N.39	B
GEAR CASE & ELECTRICAL CIRCUIT	APD.B.N.16	NONE	FACE PLATE & DRIVE PLATE CAM (OPTION)	APD.B.N.40	B
APRON (LEFT)	APD.B.N.17	5,7	OPTIONAL SPEED (OPTION)	APD.B.N.41	2,3,B
APRON (RIGHT)	APD.B.N.18	5,7	OTHERS	APD.B.N.42	2
THREADING DIAL	APD.B.N.19	1			
AUTOMATIC STOP ATTACHMENT	APD.B.N.20	NONE			
STARTING SWITCH	APD.B.N.21	NONE			
TRANSMISSION MECHANIC	APD.B.N.22	1-C			
CHANGE GEAR	APD.B.N.23	B			
SEAT SWIVEL & TOOL REST (METRIC)	APD.B.N.24	B			

SELECT	SYMBOL	MEANINGS
1	1	METRIC LEAD SCREW
	2	INCH LEAD SCREW
	1	5HP, 4P
	2	7.5HP, 4P
2	3	10HP, 4P
	4	10HP, 6P
	1	50HZ
3	2	60HZ
	1	200/400V
4	2	220/380V
	3	220/440V
	4	34V
	5	41V
	6	57V
	7	240V
	8	380/440V
5	1	850 TYPE
	2	1250 TYPE
	3	1500 TYPE
	4	2000 TYPE
	5	2500 TYPE
6	1	A TYPE
	2	G TYPE
7	1	METRIC
	2	INCH
8	1	CAM TYPE
	2	STANDARD TYPE
9	1	LEFT-HAND
	2	RIGHT-HAND
A	1	TAIWAN-PUMP
	2	JAPAN-PUMP
B	1	LOW-HEAD
	2	HIGHT-HEAD
C	1	DOMESTIC
	2	FOR USA
	3	FOR CANADA



860 - PRECISION HIGH SPEED LATHE



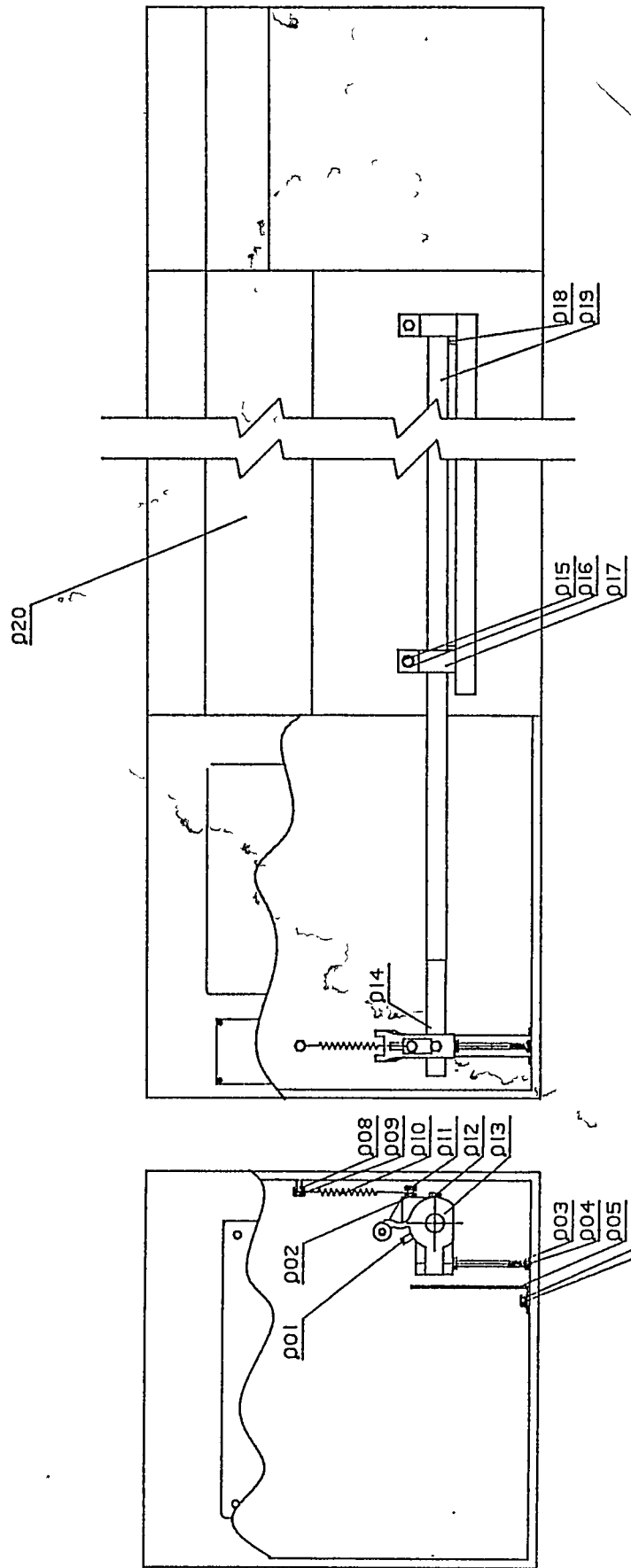
 棉铁工廠股份有限公司	76.11.19	1:7	APD.B.N	00
	日期	比例	图号	版次
统一编号				


BGM201/PDMPROC YANG WORKS.  
 PARENT PART: APD. B. N. 01  
 OP CODE : 2

\*\*\*\*\* PARTS LIST \*\*\*\*\*  
 PARENT DESCRIPTION: BED BASE AND BRAKE  
 SELECTION :

DATE: 06/20/77  
 MODEL: YAM-850, 1250, 2000, 2500  
 ECDATE: 99/99/98

SEQ	CATALOG-NO	PART-NUMBER	DESCRIPTION	SPECIFICATION	TYPE	QTY	U/M	UNIT	12	34	56	78	9A	BC
001		SB151-1	PIN		C	1.000	EA							
002		SN.M8	NUT	M8*P1.25 (B=12 H=6.5)	C	1.000	EA							
003		SH.M8-90		(14) M8*90MM P1.25	C	1.000	EA							
004		SN.M8	NUT	M8*P1.25 (B=12 H=6.5)	C	1.000	EA							
005		SB154	BRACKET		C	1.000	EA							
006		SH.M8-12	SCREW	(14) M8*12MM P1.25	C	1.000	EA							
007	3025000	HM.6-M8	WASHER, SPRING	M8*3#	C	1.000	EA							
008		SH.M8-25	SCREW	(14) M8*25MM P1.25	C	1.000	EA							
009		SN.M8	NUT	M8*P1.25 (B=12 H=6.5)	C	1.000	EA							
010		HG.CS-29-1	SPRING	S-2.3*18.6*19S (CS-29)	C	1.000	EA							
011		SH.M8-30	SCREW	(14) M8*30MM P1.25	C	1.000	EA							
012		SN.M8	NUT	*M8*P1.25 (B=12 H=6.5)	C	1.000	EA							
013		SE151	BRAKE ARM		C	1.000	EA							
014		SB152	SHAFT		C	1.000	EA							
015		SH.M8-30	SCREW	(14) M8*30MM P1.25	C	4.000	EA							
016	3025000	HM.6-M8	WASHER, SPRING	M8*3#	C	4.000	EA							
017		SB149	SEAT, BRAKE ROD	SB170	C	2.000	EA							1
017		SB149	SEAT, BRAKE ROD	SB170	C	2.000	EA							2
017		SB149	SEAT, BRAKE ROD	SB170	C	2.000	EA							3
017		SB149	SEAT, BRAKE ROD	SB170	C	3.000	EA							4
017		SB149	SEAT, BRAKE ROD	SB170	C	3.000	EA							5
018		SB148-1	PEDAL, BRAKE		C	2.000	EA							1
018		SB148-1	PEDAL, BRAKE		C	4.000	EA							2
018		SB148-1	PEDAL, BRAKE		C	4.000	EA							3
018		SB148-1	PEDAL, BRAKE		C	4.000	EA							4
018		SB148-1	PEDAL, BRAKE		C	4.000	EA							5
019	Z	SB148-850	PEDAL, BRAKE		C	1.000	EA							1
019	Z	SB169-1250	FOOT PEDAL		C	1.000	EA							2
019	Z	SB169-1500	FOOT PEDAL		C	1.000	EA							3
019	Z	SB169-2000	FOOT PEDAL		C	1.000	EA							4
019	Z	SB169-2500	FOOT PEDAL		C	1.000	EA							5
020		SB147-850Z01	BED	YAM850	A	1.000	EA							1
020		SB147-1250Z01	BED	YAM850	A	1.000	EA							2
020		SB147-1500Z01	BED	YAM850	A	1.000	EA							3
020		SB147-2000Z01	BED	YAM850	A	1.000	EA							4
020		SB147-2500Z01	BED	YAM850	A	1.000	EA							5



 棉铁工廠股份有限公司	76.10.03	1:6	APD.B.N.01	0
	日期	比例	圖號	版次



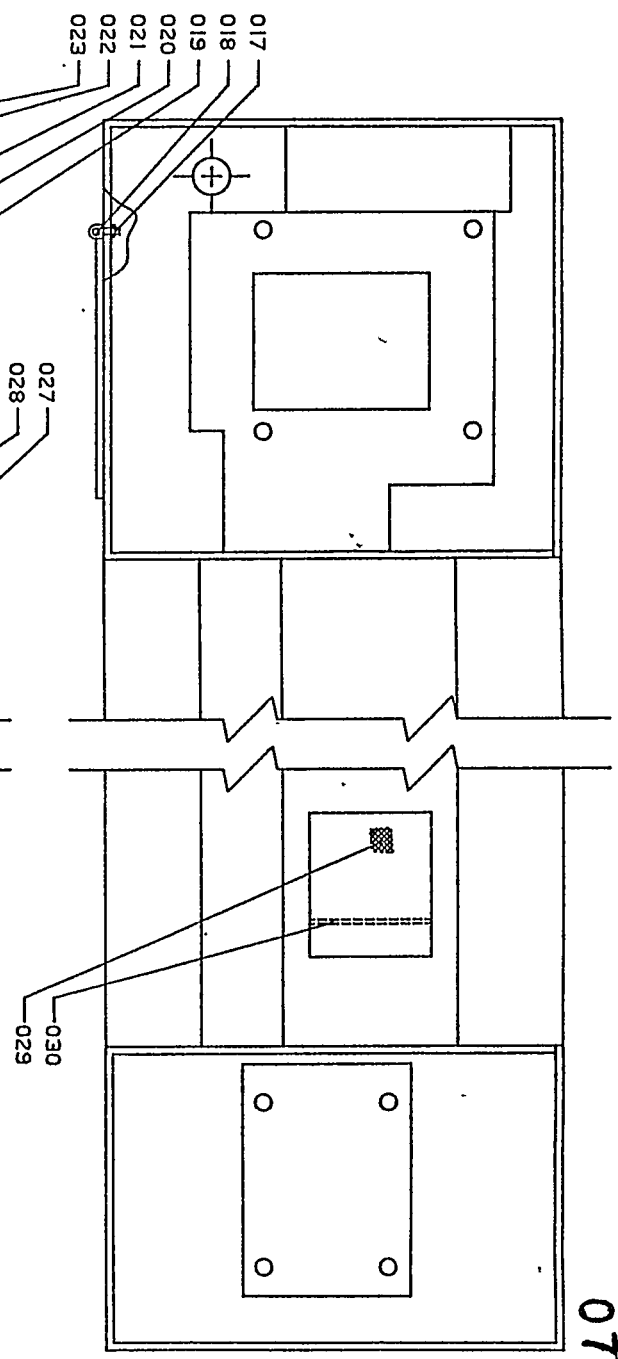
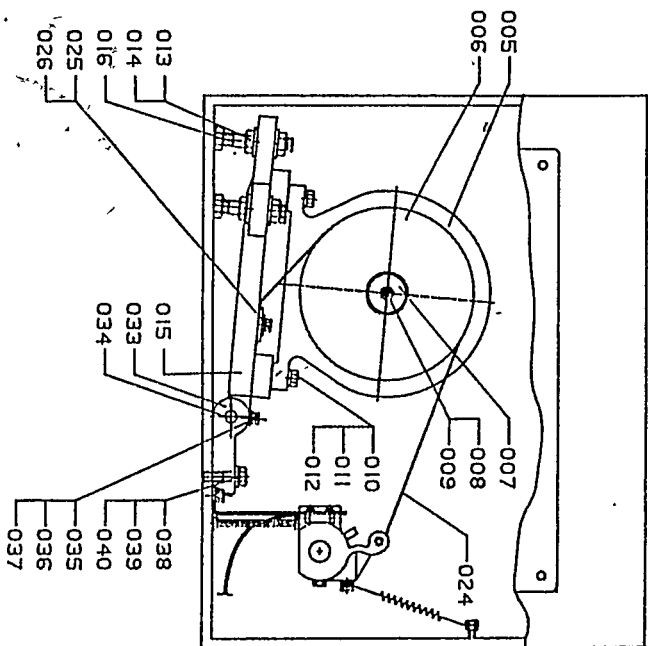
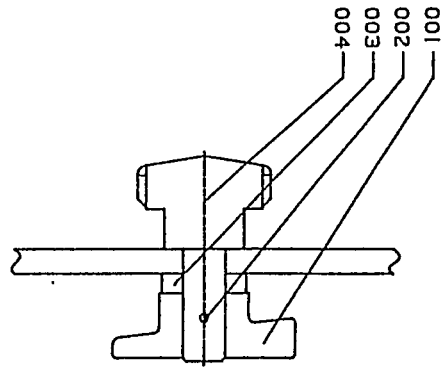
SELECTION  
 12 34 56 78 9A BC

SEQ CATALOG-NO PART-NUMBER DESCRIPTION SPECIFICATION TYPE QTY U/M UNIT 1 2 3

SEQ	CATALOG-NO	PART-NUMBER	DESCRIPTION	SPECIFICATION	TYPE	QTY	U/M	UNIT	1	2	3
008		SH.M12-60	SCREW	M12*60MM P1.75	C	1.000	EA				
009	1125000	HW.S-M12	WASHER, SPRING	M12*3#	C	1.000	EA				
010		SH.M10-30	SCREW	M10*30MM P1.5	C	4.000	EA				
011	7035000	HW.M10	WASHER	M10 (O.D.=18MM T=2MM)	C	4.000	KG				
012		LPK.5/8	WASHER, PLASTIC	5/8"	C	4.000	EA				
013		SN.M16	NUT	M16*P2.0 B=23 H=13	C	6.000	EA				
014	3610002	HW.S-M16	WASHER, SPRING	M16*3#	C	4.000	EA				
015		8B171-5HP			C	1.000	EA		1		
015		8B171-7X1/2HP			C	1.000	EA			2	
015		8B171-10HP			C	1.000	EA				3
016		5B150Z01			C	3.000	EA				
017		SN.M8	BOLT	M8*P1.25 (B=12 H=6.5)	C	2.000	EA				
018		5B273	BOLT		C	2.000	EA				
019		8R152	COVER		C	1.000	EA				
020		LP.B-28			C	1.000	EA				
021		SB.20-1			C	1.000	EA				
022	1511000	SN.M6	PIN	28*32*15 M/M	C	2.000	EA				
023		5B125	NUT	M6*P1.0	C	1.000	EA				
024		5B153	PIN		C	1.000	EA				
025	3025000	SH.M8-15	BELT	(14) M8*15MM P1.25	C	1.000	EA				
025		HW.S-M8	WASHER, SPRING	M8*3#	C	1.000	EA				
027		SB141	HOOK		C	2.000	EA				
028		SH.M16-30	PLATE FILTER	M16*30MM P2.0	C	4.000	EA				
029		8B.98			C	1.000	EA				
030		5B103			C	1.000	EA				
031		PP.63/8	PLUG, OIL	3/8" PT	C	1.000	EA				
032		APD.B.N.01	BED BASE AND BRAKE	YAM-850, 1250, 2000, 2500	A	1.000	ST				
033		8B172	SEAT		C	1.000	EA				
034		8B284	SHAFT		C	1.000	EA				
035		SC.M8618	SCREW	M8*18MM P1.25	C	2.000	EA				
036	3025000	HW.S-M8	WASHER, SPRING	M8*3#	C	2.000	EA				
037	8132000	HW.M8	WASHER	M8 (O.D.=20MM T=1.5MM)	C	2.000	KG				
038		SH.M16635	SCREW	M16*35MM P1.25	C	2.000	EA				
039	3610002	HW.S-M16	WASHER, SPRING	M16*3#	C	2.000	EA				
040		HW.M16-1	WASHER	M16 (O.D.=28MM T=3.0MM)	C	2.000	KG				

AB174L  
 5B153 174B

機



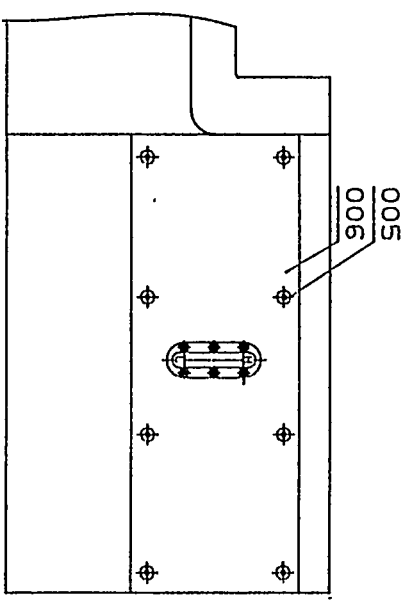
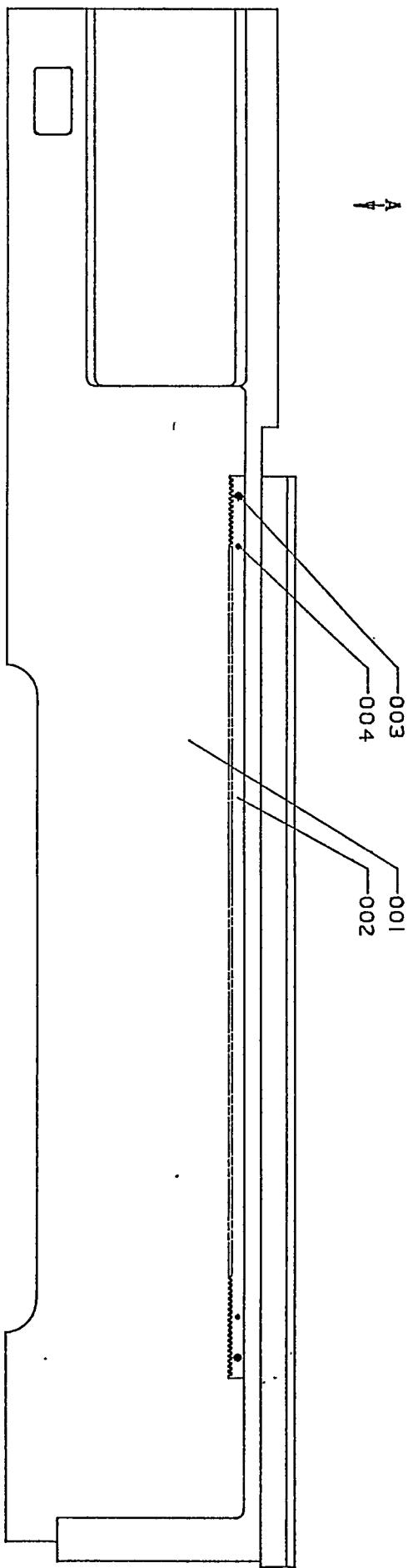
850-1930  
1250-2400  
1500-2730  
2000-3158

 棉铁工廠股份有限公司	77.04.19	1:5	统一编号	APD.B:N.02	版次
	日期	比例		号	

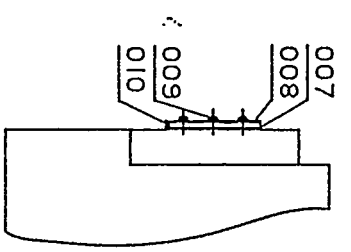


SELECTION  
 12 34 56 78 9A BC

SEQ	CATALOG-NO	PART-NUMBER	DESCRIPTION	SPECIFICATION	TYPE	QTY	U/M	UNIT	SELECTION
001 ?		8B143-850	BED		C	1.000	EA		1
001 ?		8B143-1250	BED		C	1.000	EA		2
001 ?		8B143-1500	BED		C	1.000	EA		3
001 ?		8B143-2000	BED		C	1.000	EA		4
001 ?		8B143-2500	BED		C	1.000	EA		5
002		8B 97-476Z01	RACK		C	2.000	EA		1
002		8B 97-476Z01	RACK		C	3.000	EA		2
002		8B 97-476Z01	RACK		C	3.000	EA		3
002		8B 97-476Z01	RACK		C	4.000	EA		4
002		8B 97-476Z01	RACK		C	3.000	EA		5
002		8B 97-275Z01	RACK		C	1.000	EA		1
002		8B 97-275Z01	RACK		C	1.000	EA		2
002		8B 97-275Z01	RACK		C	1.000	EA		3
002		8B 97-275Z01	RACK		C	2.000	EA		4
002		8B 97-275Z01	RACK		C	1.000	EA		5
002		8B 97-275Z01	RACK		C	2.000	EA		1
002		8B 97-275Z01	RACK		C	1.000	EA		2
002		8B 97-275Z01	RACK		C	1.000	EA		3
002		8B 97-275Z01	RACK		C	2.000	EA		4
002		8B 97-275Z01	RACK		C	1.000	EA		5
002		8B 97-275Z01	RACK		C	2.000	EA		1
002		8B 97-275Z01	RACK		C	1.000	EA		2
002		8B 97-275Z01	RACK		C	1.000	EA		3
002		8B 97-275Z01	RACK		C	2.000	EA		4
002		8B 97-275Z01	RACK		C	1.000	EA		5
003	9000201	SC.M8630	SCREW	M8*30MM P1.25	C	2.000	EA		1
003	9000201	SC.M8630	SCREW	M8*30MM P1.25	C	6.000	EA		2
003	9000201	SC.M8630	SCREW	M8*30MM P1.25	C	8.000	EA		1
003	9000201	SC.M8630	SCREW	M8*30MM P1.25	C	9.000	EA		2
003	9000201	SC.M8630	SCREW	M8*30MM P1.25	C	11.000	EA		1
003	9000201	SC.M8630	SCREW	M8*30MM P1.25	C	11.000	EA		2
003	9000201	SC.M8630	SCREW	M8*30MM P1.25	C	13.000	EA		3
003	9000201	SC.M8630	SCREW	M8*30MM P1.25	C	14.000	EA		1
003	9000201	SC.M8630	SCREW	M8*30MM P1.25	C	16.000	EA		2
003	9000201	SC.M8630	SCREW	M8*30MM P1.25	C	17.000	EA		2
003	9000201	SC.M8630	SCREW	M8*30MM P1.25	C	17.000	EA		5
004		HTP.5#32	PIN, TAPER	M8*30MM P1.25	C	4.000	EA		2
004		HTP.5#32	PIN, TAPER	5#*32MM	C	6.000	EA		1
004		HTP.5#32	PIN, TAPER	5#*32MM	C	6.000	EA		1
004		HTP.5#32	PIN, TAPER	5#*32MM	C	8.000	EA		2
004		HTP.5#32	PIN, TAPER	5#*32MM	C	8.000	EA		1
004		HTP.5#32	PIN, TAPER	5#*32MM	C	10.000	EA		2
004		HTP.5#32	PIN, TAPER	5#*32MM	C	10.000	EA		1
004		HTP.5#32	PIN, TAPER	5#*32MM	C	12.000	EA		2
004		HTP.5#32	PIN, TAPER	5#*32MM	C	12.000	EA		1
004		HTP.5#32	PIN, TAPER	5#*32MM	C	14.000	EA		2
005		SRC.M8640	SCREW	M8*40MM P1.25	C	8.000	EA		1
006		8B291	COVER		C	1.000	EA		1
007		BOR.56-2	O-RING	56*60*2	C	1.000	EA		1
008		8B285	COVER, PROTECTING	627-671	C	1.000	EA		1
009		SR+.MFS-16	SCREW	M5*16MM P0.8	C	6.000	EA		1
010		LZ.OG-L	GAUGE, OIL LEVEL	627-670	C	1.000	EA		1



A 矢向视图



 钢铁工业股份有限公司	76.10.05	1:5	统一编号	APJ.B.N.03	00
	日期	比例		图号	

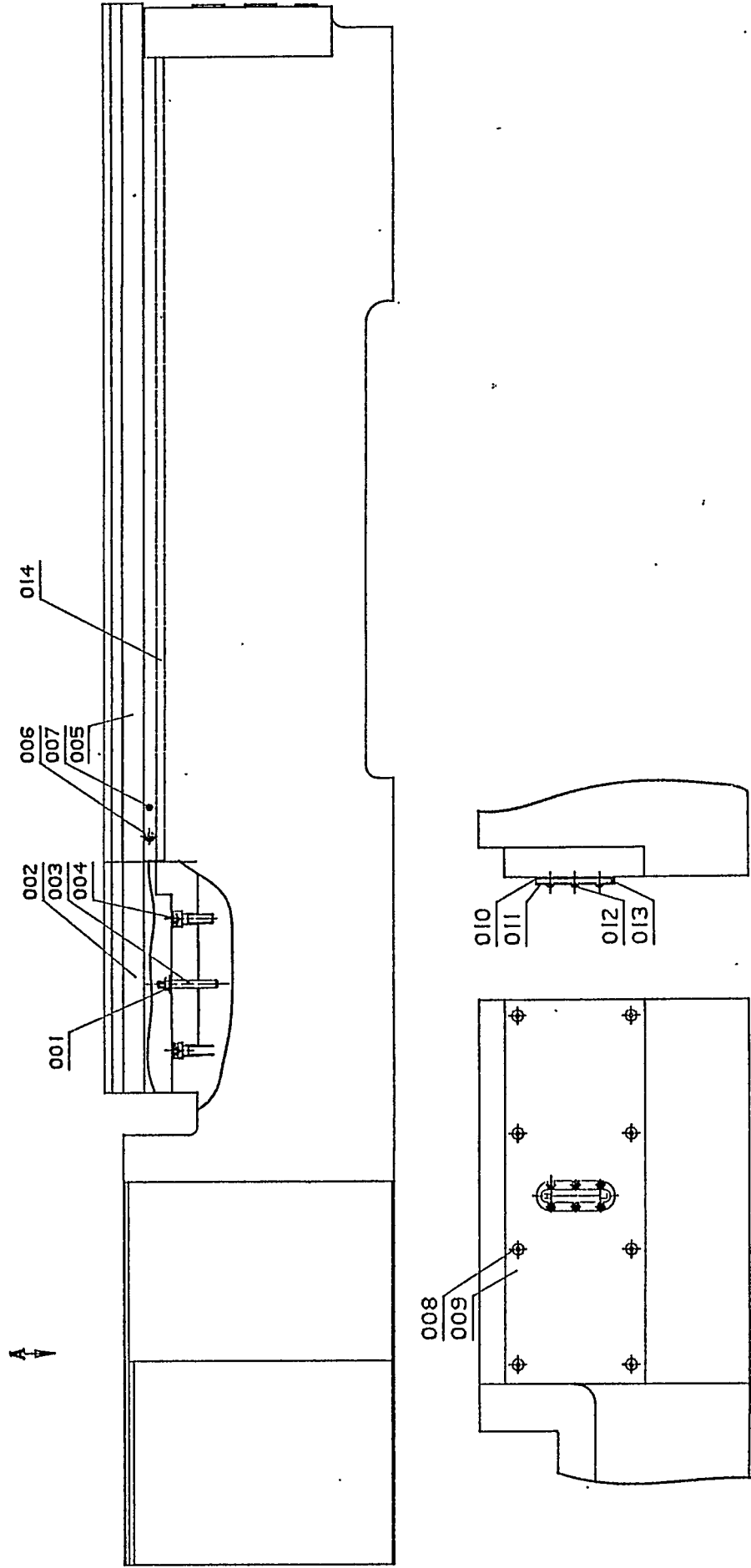


BOMP01/PDMPROC YANG WORKS.  
 PARENT PART: APD.B.N.04  
 OP CODE : 2


\*\*\*\*\* PARTS LIST \*\*\*\*\*  
 PARENT DESCRIPTION: BED (GAP TYPE)  
 SELECTION :

DATE: 06/20/77  
 MODEL: YAM-850, 1250, 2000, 2500  
 ECDATE: 99/99/98

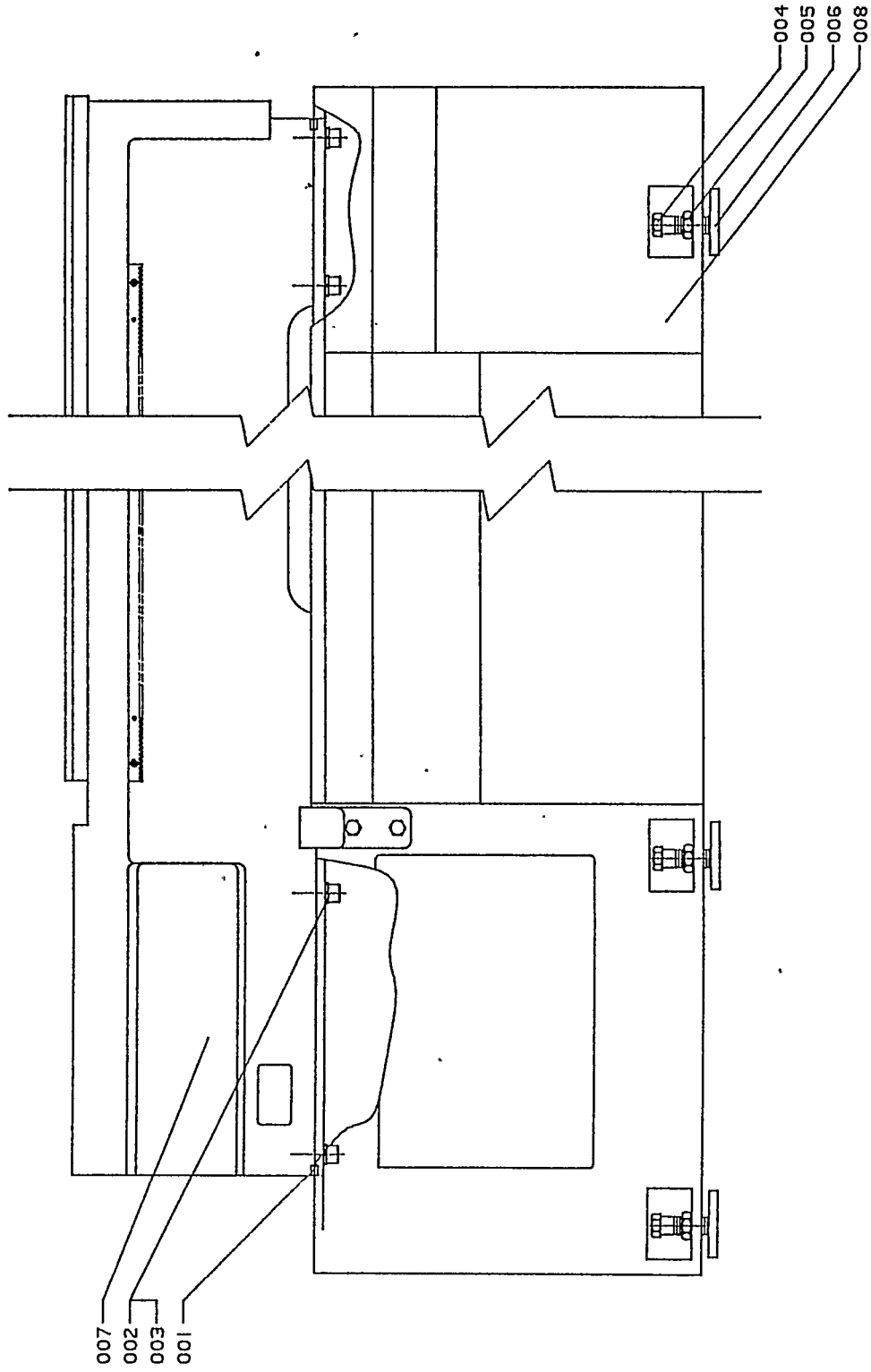
SEQ	CATALOG-NO	PART-NUMBER	DESCRIPTION	SPECIFICATION	TYPE	QTY	U/M	UNIT	12	34	56	78	9A	BC
014		8B 97-275Z01	RACK		C	1.000	EA						4	2
014		8B 97-275Z01	RACK		C	2.000	EA						4	1
014		8B 97-275Z01	RACK		C	1.000	EA						5	2
014		8B 97-275Z01	RACK		C	2.000	EA						5	1




A 矢向視圖

 楊鐵工廠股份有限公司	77.04.14	1:5	圖 號	APD.B.N.04	0
	日期	比例	統一編號	圖 號	版 次





	楊鐵工廠股份有限公司		76.10.06	1:6	統一編號		APD.B.N.05	0
			日期	比例	號		圖號	版次

RPM201/PDMPROC YANG WORKS.  
 PARENT PART: APD. B. N. 06  
 OP CODE : 2

\*\*\*\*\* PARTS LIST \*\*\*\*\*  
 PARENT DESCRIPTION: COOLING SYSTEM  
 SELECTION :

DATE: 06/20/77  
 MODEL: YAN-950, 1250, 2000, 2500  
 ECDATE: 99/99/98

SEQ	CATALOG-NO	PART-NUMBER	DESCRIPTION	SPECIFICATION	TYPE	QTY	U/M	UNIT	12	34	56	78	9A	BC
001		PI. C3/8-24	NOZZLE	3/8" *24"	C	0.000	EA							
002		PV. C3/8	FITTING	3/8"	C	0.000	EA							
003		SB278-150	SLEEVE, PIPE	3/8"	C	0.000	EA							
004		HHR. 13/8	PIPE, PLASTIC OIL	3/8"	C	0.000	EA							
005		PI. H3/8	OIL PIPE	3/8"	C	0.000	M							
006	?	SB278- 40	OIL PIPE	3/8"	C	0.000	EA							
007		PT. 3/8	ADAPTER, TEE FEMALE	3/8"	C	1.000	EA							
008		SB176Z01	OIL PIPE	3/8"	C	1.000	EA							
009	3407000	HGB. 13/8	BALL, STEEL	3/8"	C	1.000	EA							
010		HG. C5-06	SPRING	P-0. 6*9. 5*30-10N (C5-06)	C	1.000	EA							
011		SN. SB178	NUT	NF3/4 B-26 H=6 SB178 8B176 CK2-B49	C	1.000	EA							
012		SB177Z01	ROLT		C	1.000	EA							
013		SB275- 84	OIL PIPE		C	1.000	EA							
014		PL. 3/8	ADAPTER, ELBOW FEMALE	3/8" (CK2-H12)	C	1.000	EA							
015		SB275-340	OIL PIPE		C	1.000	EA							
016	9000826	PF. AIR3/8-5/8	ADAPTER, STRAIGHT	3/8" (CK2-H12)	C	1.000	EA							
017		JWC. 3/8	PUMP, COLLING	3/8"	C	1.000	EA							
018		MPD. 220	PUMP	ISHIBAURA1 OPF-100H AC220V	C	1.000	EA							2
018		MPD. 23	PUMP	1/8HP 360/220V	C	1.000	EA							2
018		MPD. 415	PUMP	1/8HP 415V	C	1.000	EA							1
018		MPD. 550	COOLING PUMP	ISHIBAURA1 OPF-100H AC220V	C	1.000	EA							1
018		MPD. 380	COOLING PUMP	ISHIBAURA1 OPF-100H AC380V	C	1.000	EA							2
018		MPD. 440	COOLING PUMP	ISHIBAURA1 OPF-100H AC440V	C	1.000	EA							2
018		MPD. 380	PUMP	ISHIBAURA1 OPF-100H AC380V	C	1.000	EA							2
018		MPD. 23	PUMP	1/8HP 360/220V	C	1.000	EA							1
018		MPD. 220	PUMP, COLLING	ISHIBAURA1 OPF-100H AC220V	C	1.000	EA							2
018		MPD. 23	PUMP	1/8HP 360/220V	C	1.000	EA							1
018		MPD. 220	PUMP, COLLING	ISHIBAURA1 OPF-100H AC220V	C	1.000	EA							2
018		MPD. 23	PUMP	1/8HP 360/220V	C	1.000	EA							1
018		MPD. 440	COOLING PUMP	ISHIBAURA1 OPF-100H AC440V	C	1.000	EA							2
018		MPD. 415	PUMP	1/8HP 415V	C	1.000	EA							2
018		MPD. 23	PUMP	1/8HP 360/220V	C	1.000	EA							1
019		LP. 8B267	JOINT, HOSE	8B267-1 &-2 &-3	C	1.000	EA							1
020		NI0122	JOINT, HOSE	1/2"-L	C	1.000	EA							
021		PI. B1/2	PIPE, HOSE	1/2"	C	1.000	M							
022		PL. 3/8	ADAPTER, ELBOW FEMALE	3/8" (CK2-H12)	C	2.000	EA							
023		PH. 3/8	JOINT, PIPE	3/8"	C	4.000	EA							
024		SH. M6-25	SCREW	M6*25MM P1. 0	C	4.000	EA							
025	1512000	HW. S-M6	WASHER, SPRING	M6 (O. D=11. 5MM T=1. 6MM)	C	4.000	EA							
026	8140000	HW. M6	WASHER, FLATE	M6*3#	C	4.000	EA							
027	1511000	SN. M6	NUT	M6*P1. 0	C	4.000	EA							
028		PI. H5/8	COUPLING	5/8"	C	1.000	M							
029		LP. SB189	CLAMP	33*14 (8B198)	C	1.000	FA							
030		HHR. 17/8-1	ADAPTER, STRAIGHT	7/8"	C	1.000	EA							
031	9000826	PF. AIR3/8-5/8	ADAPTER, PUMP	PF. AIR3/8-5/8	C	1.000	EA							
032		8B304	SEAT, PUMP		C	1.000	EA							
032		8B304A	SEAT, PUMP		C	1.000	EA							
033		SB190	SEAT, PUMP	PT3/8-19*51 PF. AIR3/8-5/8	C	1.000	EA							




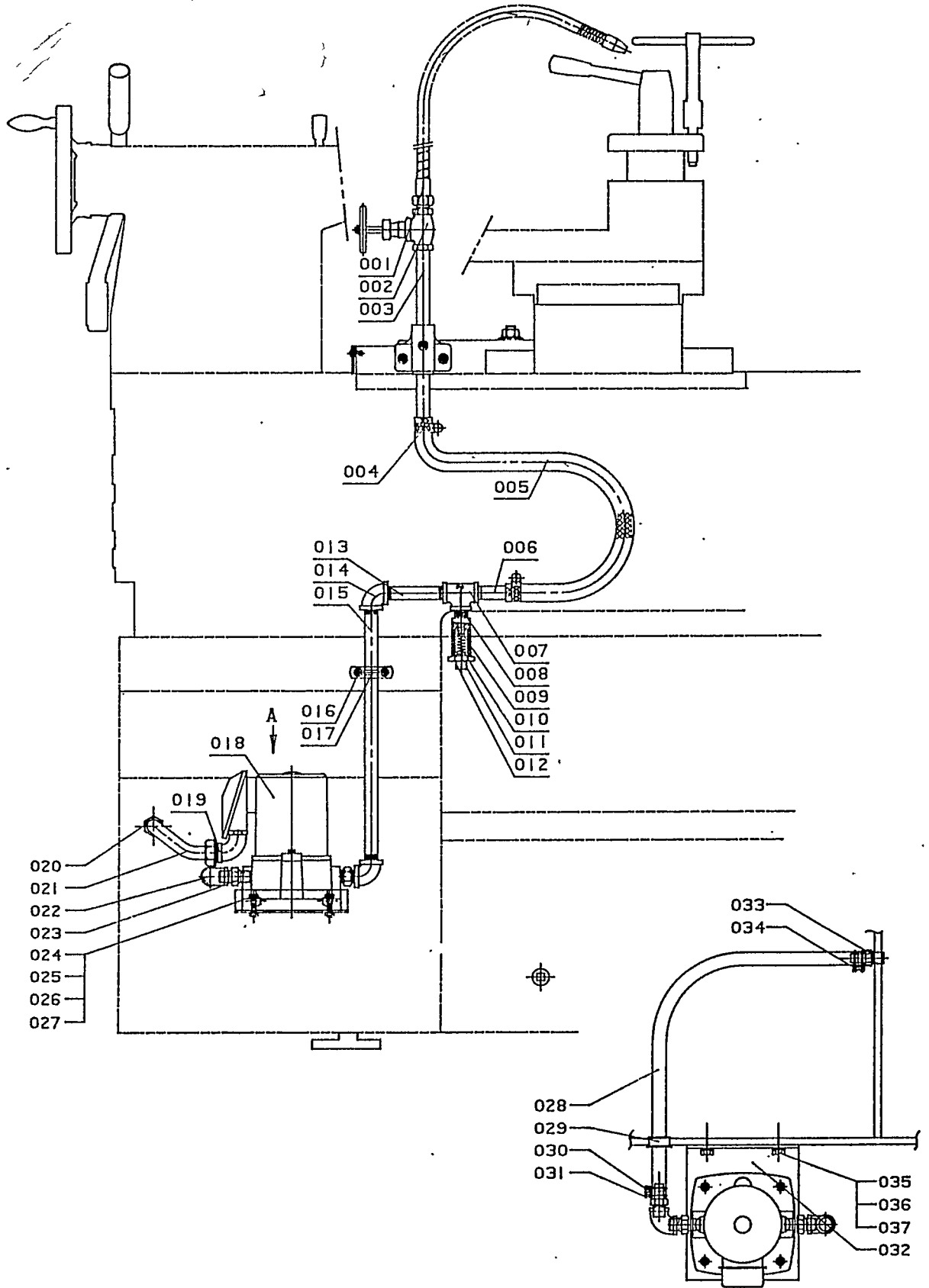
POM201/PDMPROC YANG WORKS.  
 PARENT PART: APD.B.N.06  
 OP CODE : 2

\*\*\*\*\* PARTS LIST \*\*\*\*\*  
 PARENT DESCRIPTION: COOLING SYSTEM  
 SELECTION :

DATE: 06/20/77  
 MODEL: YAM-850, 1250, 2000, 2500  
 ECDATE: 99/99/98

SEQ	CATALOG-NO	PART-NUMBER	DESCRIPTION	SPECIFICATION	TYPE	QTY	U/M	UNIT	SELECTION
034		HMB. I7/8-W	CLAMP	7/8"	C	1.000	EA	12	34
035		SH.M8-15	SCREW	(14) M8*15MM P1.25	C	2.000	EA	56	78
036	3025000	HW. S-M8	WASHER, SPRING	M8*3#	C	2.000	EA	78	9A
037	8132000	HW. M8	WASHER	M8 (O. D.=20MM T=1.5MM)	C	2.000	KG	9A	BC

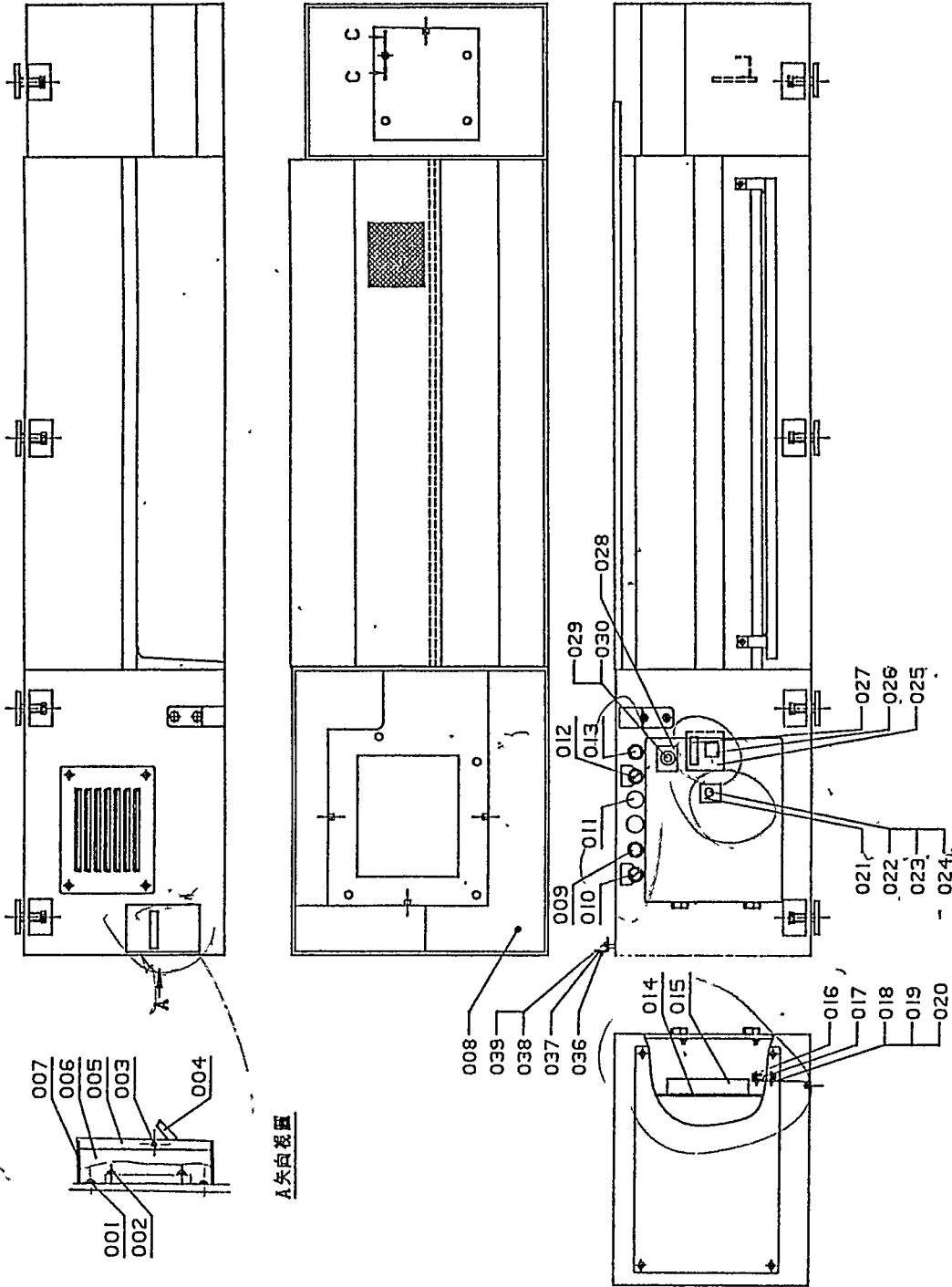
 楊鐵工廠股份有限公司	
日期	76.10.07
比例	1:5
統一編號	
圖號	APD.B.N.06
版次	00




A 矢向視圖

SEQ CATALOG-NO	PART-NUMBER	DESCRIPTION	SPECIFICATION	TYPE	QTY	U/M	UNIT	SELECTION
001	SRT. M5-6	SCREW	M5*6MM P0.6	C	4.000	EA		
002	SRT. M4-10	SCREW	M4*10MM P0.75	C	6.000	EA		
003	SRT. M3-8	SCREW	M3*8MM P0.6	C	2.000	EA		
004	ESB. BH3P15A	SWITCH	BH-3P 15A	C	1.000	EA		
005	SB188	COVER, SWITCH BOX	194.5*129.5*15	C	1.000	EA		1
005	SB188	COVER, SWITCH BOX	194*132.2*15	C	1.000	EA		2
005	SB188	COVER, SWITCH BOX	194.5*129.5*15	C	1.000	EA		3
006	SB184Z01	BOX, SWITCH	193*128*77	C	1.000	EA		
007	EZ. B-20-1	SLEEVE, RUBBER	20MM (O.D.=27 THICK=8 HOLE=16 MM)	C	2.000	EA		
008	LP. SB338	LAMP, INDICATOR	SE338	C	1.000	EA		
009	EL. 30DA1-R	LAMP, INDICATOR	TL30D 110/15V R	C	1.000	EA		
010	ESS. 30DA1AB-R	SWITCH	1A1B 30M/M	C	1.000	EA		
011	LZ. OC-1+1/4	PLUG, PVC	1-1/4" (SB440&SB334)	C	1.000	EA		
012	ESS. 30DA1AB-G	SWITCH	1A1B 30M/M	C	1.000	EA		
013	EL. 30DA1-G	LAMP, INDICATOR	TL30D 110/15V G	C	1.000	EA		
014	SOA. M8-20	SCREW	M8*20MM P1.25	C	3.000	EA		
015	ESM. 5A1	SWITCH, INTERLOCKED SOLENSHP	110/220V	C	1.000	ST		1
015	ESM. 5A1-E	SWITCH, INTERLOCKED SOLENSHP	110/220V	C	1.000	ST	(FOR YA C	2
015	ESM. 7A2	SWITCH	7.5HP 110/220V	C	1.000	ST	(FOR YA C	3
015	ESM. 7A3	SWITCH	7.5HP 110/380V	C	1.000	ST		1
015	ESM. 10A2	SWITCH	10HP 110/220V	C	1.000	ST		2
015	ESM. 10A3	SWITCH	10HP 110/380V	C	1.000	ST		1
015	ESM. 10A2	SWITCH	10HP 110/220V	C	1.000	ST		2
015	ESM. 7A2	SWITCH	7.5HP 110/220V	C	1.000	ST	(FOR YA C	2
015	ESM. 10A5	SWITCH	10HP 110/575V	C	1.000	ST	(CSA TYPE FOR YA C	3
015	ESM. 5A1	SWITCH, INTERLOCKED SOLENSHP	110/220V	C	1.000	ST		1
015	ESM. 5A3	SWITCH	5HP 110/380V	C	1.000	ST		1
015	ESM. 7A3	SWITCH	7.5HP 110/380V	C	1.000	ST		1
015	ESM. 5A3	SWITCH	5HP 110/380V	C	1.000	ST		1
015	ESM. 7A3	SWITCH	7.5HP 110/380V	C	1.000	ST		1
015	ESM. 5A1	SWITCH, INTERLOCKED SOLENSHP	110/220V	C	1.000	ST		1
015	ESM. 7A2	SWITCH	7.5HP 110/220V	C	1.000	ST		1
015	ESM. 10A2	SWITCH	10HP 110/220V	C	1.000	ST		1
015	ESM. 5A3	SWITCH	5HP 110/380V	C	1.000	ST		1
015	ESM. 7A3	SWITCH	7.5HP 110/380V	C	1.000	ST		1
015	ESM. 10A3	SWITCH	10HP 110/380V	C	1.000	ST		1
015	ESL. CAVE	COVER, MICRO SWITCH	NO:11 APB	C	1.000	EA		
017	ESL. Z	SWITCH, MICRO	LOMRONJZ-156WZ2-B (YAMATAKE) BZ-2RW	C	1.000	EA		
018	SRT. M5-25	SCREW	M5*25MM P0.9	C	2.000	EA		
019	HM. M6	WASHER, FLATE	M6 (O.D.=11.5MM T=1.6MM)	C	2.000	KG		
020	SN. M5	NUT	M5*P0.9	C	2.000	EA		
021	SR337	DISTANCE COLLAR		C	1.000	EA		
022	ESP. Z	NUT		C	1.000	EA		
023	SN. M6	NUT	M6*P1.0	C	1.000	EA		
024	SH. M5-20	SCREW	6*20MM P1.0	C	2.000	EA		
025	SR301	PLATE, TRANSFORMER COVER		C	1.000	EA		
026	ETB. 6A-7P	TERMINAL BLOCKS-BARRIER(SATO) ML-9 7P		C	1.000	EA		
027	ETR. 0.5A	TERMINAL BLOCKS-BARRIER(SATO) ML-9 7P		C	1.000	EA		
028	SB282	FUSE SEAT	0.5A	C	1.000	EA		



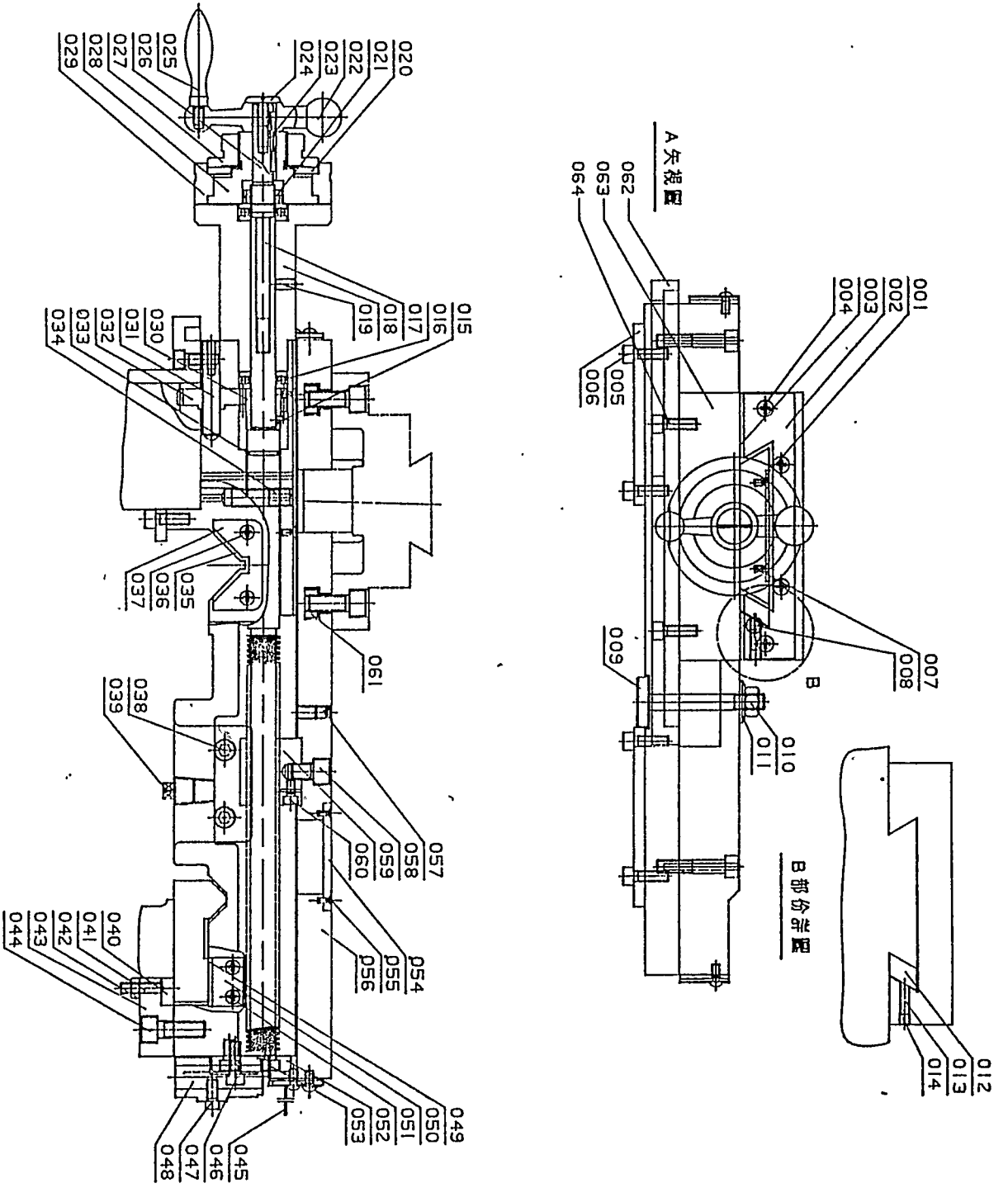


A 矢向视图

 楊鐵工廠股份有限公司	日期	比例	統一編號	圖號	版次
	76.10.19	1:12		APD.B.N.07	02

SEQ	CATALOG-NO	PART-NUMBER	DESCRIPTION	SPECIFICATION	TYPE	QTY	U/M	UNIT	12	34	56	78	9A	BC
001		8B 73	WASHER, PLATE		C	1.000	EA							
002		8B 70	WASHER		C	2.000	EA							
003		LA, 8B69	WIPER	8B69 (40*193M/M)	C	1.000	EA							
004	8108000	SR+, M6-12	SCREW	M6*12MM P1.0	C	8.000	EA							
005		SC, M8x20	SCREW	M8*20MM P1.25	C	4.000	EA							
006		8B160	SCREW		C	2.000	EA							
007		SF+, M5-8	SCREW	M5*8MM P0.9	C	4.000	EA							
008		SZ, 8B29-2	SCREW	M6*24MM (8B29-2) P1.0	C	1.000	EA							
009		SZ, 8B75	BOLT	8B75	C	1.000	EA							
010		SN, M12I	NUT	M12*P1.75 B=19 H=10	C	1.000	EA							
011		SB179	WASHER		C	1.000	EA							
012		8B159Z02			C	1.000	EA							
013		8B 65Z01	PLUG		C	1.000	EA							
014		SG, M8x10	SCREW, SET	M8*10MM P1.25	C	1.000	EA							
015		SG, M6x6	SCREW, SET	M6*6MM P1.0	C	1.000	EA							
016		BTB, 2903	BEARING	2903	C	1.000	EA							
017		SC, M10x110	SCREW	M10*110MM P1.5	C	2.000	EA							2
018		SC, M10x6p	SCREW	M10*60MM P1.5	C	2.000	EA							1
019		8B 10H	LEAD SCREW SEAT		C	1.000	EA							2
020		8B 10L	LEAD SCREW SEDT		C	1.000	EA							2
021		8B 6	BALL, COPPER	5/16" ('D') MUST +0.05 TO 0.15MM)	C	1.000	EA							1
022		8B 9Z01	WASHER		C	2.000	EA							
023		8B 3Z01	NUT		C	1.000	EA							
024		HK, 4843	HANDLE		C	1.000	EA							
025		8B 2Z01	KEY	4 (-2%)-4% *4 (-10%)-20% *43 (-25%)-5	C	1.000	EA							
026		8B 4Z01	NUT		C	1.000	EA							
026		8B 1MHZ01	HANDLE GRIP		C	1.000	EA							
026		8B 1EHZ01	SCREW, LEAD		C	1.000	EA							1
026		8B 1MLZ01	SCREW, LEAD		C	1.000	EA							2
026		8B 1ELZ01	SCREW, LEAD		C	1.000	EA							1
027		8B 5Z01	SEAT, LEAD SCREW		C	1.000	EA							
028		8B 9Z01	COLLAR		C	1.000	EA							
029		8B365	DIAL		C	1.000	EA							
029		8B371	DIAL		C	1.000	EA							1
030		8B 11	GEAR		C	1.000	EA							2
031		5B 27	SHAFT		C	1.000	EA							
032		5B 28	PINION		C	1.000	EA							1
032		8B 14R	PINION		C	1.000	EA							2
033		BOR, 19-2.5	O-RING	19*24*2.5	C	1.000	EA							
034		8B 74	BOLT		C	1.000	EA							
035		LA, 8B71-2	WIPER	8B71-2 (35.5*64M/M)	C	2.000	EA							
036	8108000	SR+, M6-12	SCREW	M6*12MM P1.0	C	4.000	EA							
037		8B 71-1	WIPER		C	2.000	EA							
039		SC, M10x30	SCREW	M10*30-30MM P1.5	C	2.000	EA							
039		PP, 83/8	WIPER		C	1.000	EA							
040		8B163	FLUG, OIL	3/8"PT	C	1.000	EA							
041		SG, M8x30	BAR, ADJUSTING		C	1.000	EA							
042		SN, M8I8	SCREW, SET	M8*30MM P1.25	C	6.000	EA							
			NUT	M8*P1/25, B=14 H=6.5	C	6.000	EA							





 杨铁工廠股份有限公司	77.04.26	1:3	统一编号	APD.B.N.08	<input checked="" type="checkbox"/> 号	01
	日期	比例		版次		



ROM201/PDMPROC YANG WORKS.  
 PARENT PART: APD. B. N. 09  
 OP CODE : 2

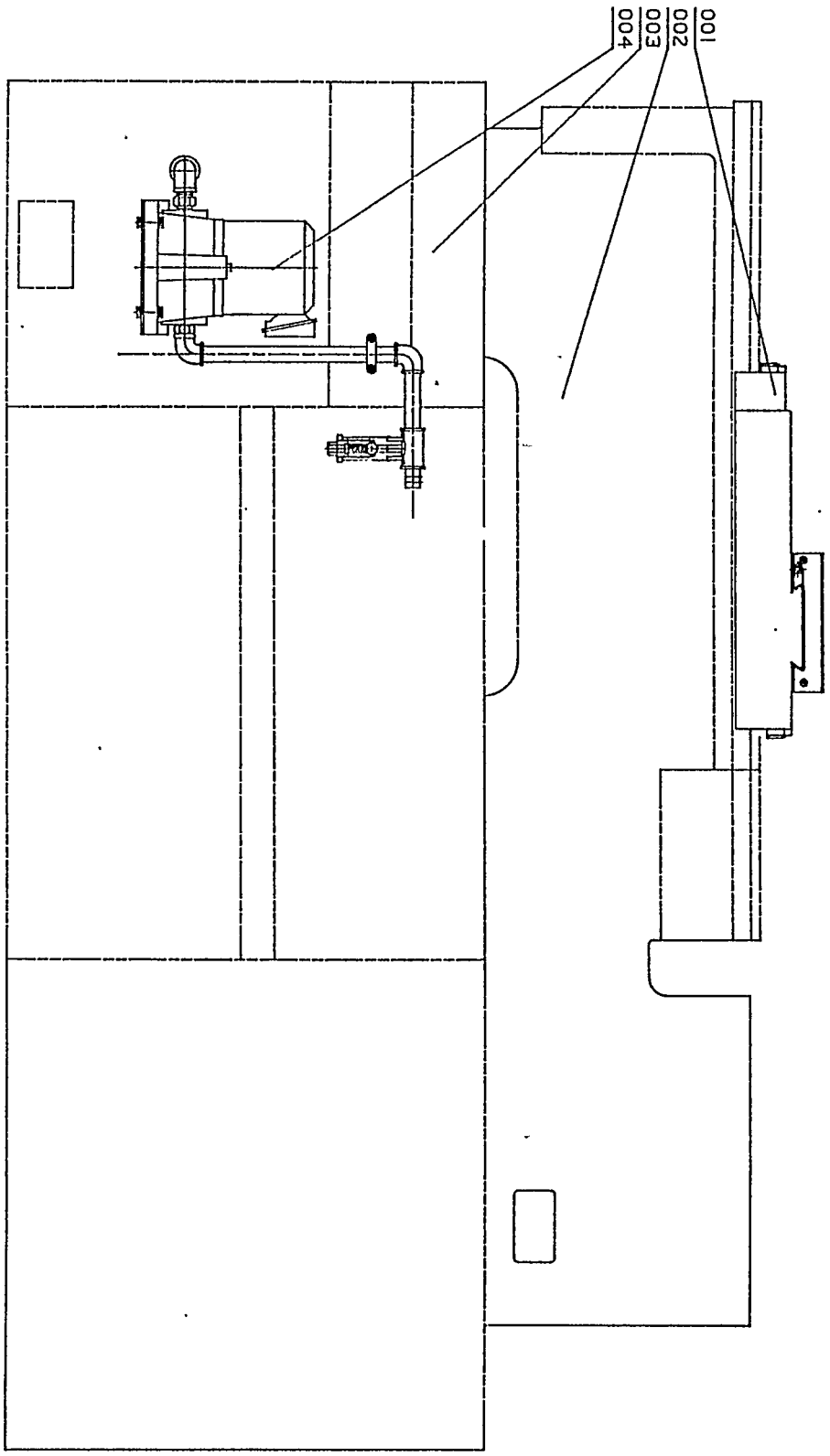
\*\*\*\*\* PARTS LIST \*\*\*\*\*  
 PARENT DESCRIPTION: MACHINE BODY (1)  
 SELECTION :

DATE: 06/20/77  
 MODEL: YAM-850, 1250, 2000, 2500  
 ECDATE: 99/99/98

PAGE:

SELECTION  
 12 34 56 78 9A BC

SEQ CATALOG-NO	PART-NUMBER	DESCRIPTION	SPECIFICATION	TYPE	QTY	U/M	UNIT	12	34	56	78	9A	BC
001	APD. B. N. 08	SADDLE & CROSS SLIDE	YAM-850, 1250, 2000, 2500	A	1.000	EA							
002	APD. B. N. 05	BED-ASSEMBLY & BED	BASEYAM-850, 1250, 2000, 2500	A	1.000	ST							
003	APD. B. N. 07	ELECTRIC SYSTEM	YAM-850, 1250, 2000, 2500	A	1.000	ST							
004	APD. B. N. 06	COOLING SYSTEM	YAM-850, 1250, 2000, 2500	A	1.000	ST							



	棉铁工廠股份有限公司			APD.B.N.09		0
	日期	比例	统一编号	图号	次	
	76.10.27	1:5				



RPN201/PDMPROC YANG WORKS.  
 PARENT PART: APD. B. N. 10  
 OP CODE : 2

\*\*\*\*\* PARTS LIST \*\*\*\*\*  
 PARENT DESCRIPTION: HEADSTOCK (STANDARD)  
 SELECTION :

DATE: 06/20/77  
 MODEL: YAM-950, 1250, 2000, 2500  
 ECDATE: 99/99/98

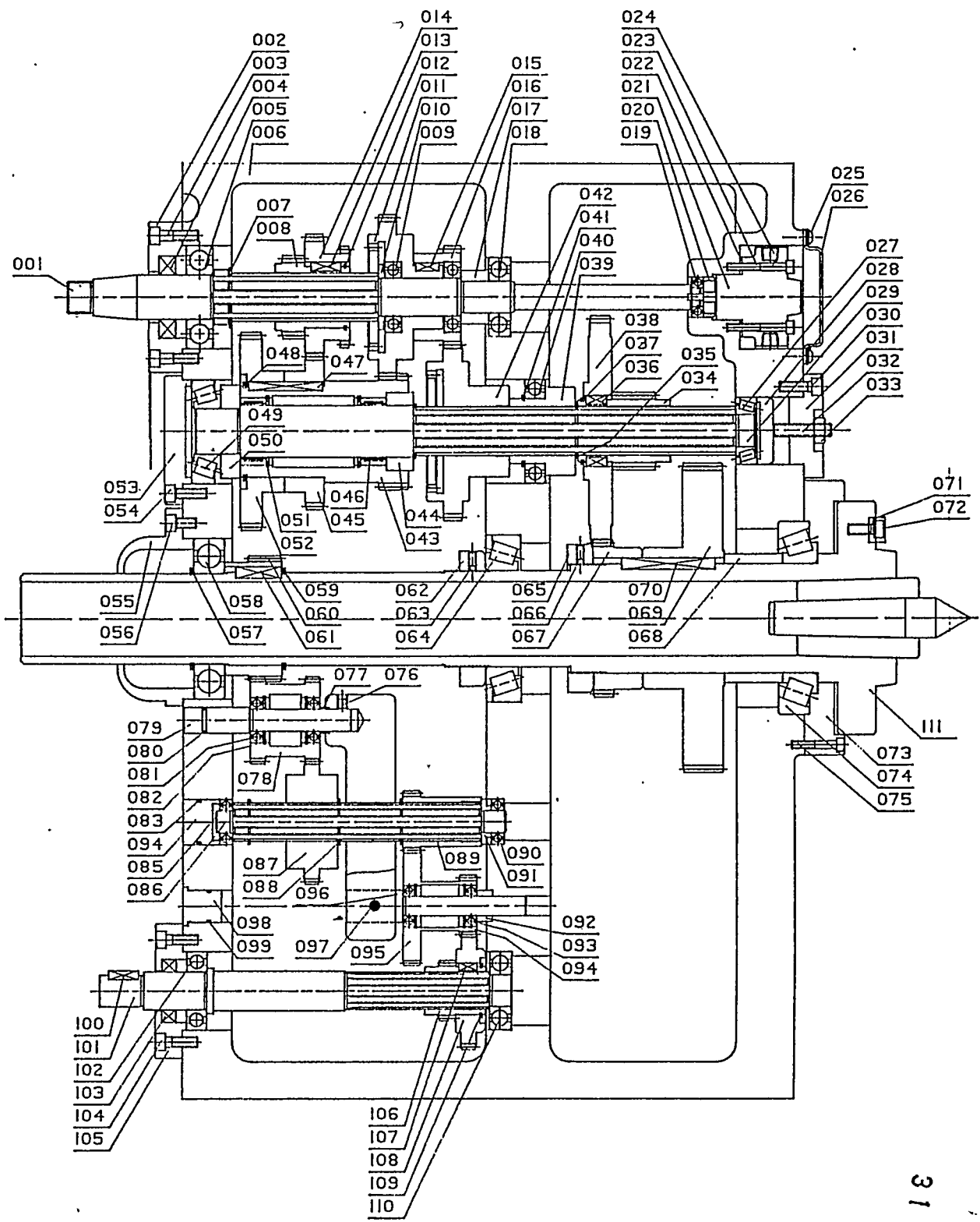
SEQ	CATALOG-NO	PART-NUMBER	DESCRIPTION	SPECIFICATION	TYPE	QTY	U/M	UNIT	12	34	56	78	9A	PC
049		BTR. 30307	BEARING	30307	C	1.000	EA							
050		BA 2	SPACER		C	1.000	EA							
051		HGR. R52	RING, INNER RETAINING	R-52M/M	C	2.000	EA							
052		BA 5	GEAR		C	1.000	EA							
053		BA 1201	COVER, SPINDLE		C	1.000	EA							
054	9000533	SC. M6925	SCREW	M6*25MM P1.25.	C	3.000	EA							
055		BA68201	COVER, AXLE		C	1.000	EA							
056		SC. M6916	SCREW	M6*16MM P1.25	C	1.000	EA							
057		HGR. 970	RING, RETAINING	S-70M/M	C	1.000	EA							
058		BB. 6214	BEARING	6214	C	1.000	EA							
059		HGR. 972	RING, RETAINING	S-72M/M	C	1.000	EA							
060		BA653	GEAR		C	1.000	EA							
061		HK. 7635	KEY	7 (-2%)-4% *7 (-10%)-20% *35 (-25%)-3	C	1.000	EA							
062		BA67202	NUT, LOCK		C	1.000	EA							
063		SA74	PIN		C	4.000	EA							
064		BTR. 30215P5	NUT, LOCK	30215 P5	C	1.000	EA							
065		BA61202	NUT, LOCK		C	1.000	EA							
066		SG. M668	SCREW, SET	M6*6MM P1.0	C	4.000	EA							
067		BA70	GEAR		C	1.000	EA							
068		BA58	SPACER		C	1.000	EA							
069		BA69	GEAR		C	1.000	EA							
070		HK. 9672	KEY	9 (-2%)-4% *9 (-10%)-20% *72 (-25%)-3	C	1.000	EA							
071		BB 39	BUSHING		C	1.000	EA							
072		SC. M6920	SCREW	M6*20MM P1.25	C	1.000	EA							
073		BA81	COVER		C	1.000	EA							
074		BTR. 30217P5	SCREW	30217 P5	C	1.000	EA							
075		SC. M6635	SCREW, SET	M6*35MM P1.0	C	6.000	EA							
076		SG. M668	SCREW, SET	M6*8MM P1.25	C	1.000	EA							
077		BA80	SPACER		C	1.000	EA							
078		BA34	GEAR		C	1.000	EA							
079		BA41201	MANDREL		C	1.000	EA							
080	7043000	BOR. P16	O-RING	P16	C	1.000	EA							
081		BB. 6003	BEARING	6003	C	2.000	EA							
082		HGR. R35	RING, RETAINING	R-35M/M	C	2.000	EA							
083		BOR. 28-3	O-RING	28*34*3	C	1.000	EA							
084		BA45	COLLAR		C	1.000	EA							
085		BB. 6003	BEARING	6003	C	1.000	EA							
086		BA35	SHAFT		C	1.000	EA							
087		BA32	GEAR		C	1.000	EA							
088	7012001	HGR. 950	RING, OUTER RETAINING	S-30M/M	C	3.000	EA							
089		BA33	GEAR		C	1.000	EA							
090		BB. 6003	BEARING	6003	C	1.000	EA							
091		BA37	WASHER		C	1.000	EA							
092		BA79	SPACER		C	1.000	EA							
093		BB. 6002	BEARING	6002	C	2.000	EA							
094	6205000	HGR. R32	RING, RETAINING	R-32M/M	C	2.000	EA							
095		BA40	GEAR		C	1.000	EA							
096		BA44	SHAFT		C	1.000	EA							
097		SG. M6912	SCREW, SET	M6*12MM P1.25	C	1.000	EA							

SELFCTION  
 12 34 56 78 9A BC

SEQ	CATALOG-NO	PART-NUMBER	DESCRIPTION	SPECIFICATION	TYPE	QTY	U/M	UNIT
098		8A44	PLUG		C	1.000	EA	
099		BOR. 19-2.5	O-RING	19*24*2.5	C	1.000	EA	
100		HK. 7623	KEY	7(-6%)-10%)*7(-10%)-20%)*23(-15%)-	C	1.000	EA	
101		8A30Z01	SHAFT, SPLINE		C	1.000	EA	
102		BB. 6206Z	BEARING	6206Z	C	1.000	EA	
103		POS. TC30-50	SEAL, OIL	TC30*50*11	C	1.000	EA	
104	9000533	SC. M8S25	SCREW	M8*25MM P1.25	C	1.000	EA	
105		8A25Z01	COVER, SHAFT		C	1.000	EA	
106		8A23	GEAR		C	1.000	EA	
107		HK. 6814	KEY	6(-2%)-4%)*6(-10%)-20%)*14(-15%)-2	C	1.000	EA	
108		8A24	GEAR	S-38MM/M	C	1.000	EA	
109		HSR. 638	RING, RETAINING	6305	C	1.000	EA	
110	9000727	BB. 6305	BEARING		C	1.000	EA	
111		8A71Z04	SPINDLE		C	1.000	EA	
122		SS. M8S20	SCREW, SET	M8*20MM P1.25	C	1.000	EA	
123		BOR. 625	RING, "O"	625	C	1.000	EA	
124		8A25	SPINDLE, SPLINE		C	1.000	EA	
125		8A52	PLUG		C	1.000	EA	
126		8A60	GEAR, SECTOR		C	1.000	EA	
127		SS. M8S8	SCREW, SET	M8*8MM P1.25	C	1.000	EA	
128		HSP. 5-40	PIN, SPRING	S*40M/M	C	1.000	EA	
129		SN. M12IB	NUT	M12*P1.75 B=19 H=10	C	1.000	EA	
130		SS. M12S25	SCREW, SET	M12*25MM P1.75	C	1.000	EA	
131		8A22	DOG, SHIFT		C	1.000	EA	
132		HS. C5-02	SPRING	P-1.6*9*25-9N (C5-02)	C	1.000	EA	
133	3407000	HSB. I3/8	BALL, STEEL	3/8"	C	1.000	EA	
134		8A54	SPINDLE, SPLINE		C	1.000	EA	
135		BOR. P26	"O"-RING		C	1.000	EA	
136		SS. M8S20	SCREW, SET	M8*20MM P1.25	C	1.000	EA	
137		8A51	ROCKING ARM		C	1.000	EA	
138	3407000	HSB. I3/8	BALL, STEEL	3/8"	C	1.000	EA	
139		HS. C5-02	SPRING	P-1.6*9*25-9N (C5-02)	C	1.000	EA	
140		8A39	BLOCK, SHIFTING		C	1.000	EA	
141		SN. M12IB	SET SCREW		C	1.000	EA	
142		SS. M12S30	SCREW, SET	M12*30MM P1.75	C	1.000	EA	
143		SS. M8S10	SCREW, SET	M8*10MM P1.25	C	1.000	EA	
144		8A48	LINK		C	1.000	EA	
145		HSP. 5-40	PIN, SPRING	5*40M/M	C	1.000	EA	
146		SS. M8S10	SCREW, SET	M8*10MM P1.25	C	1.000	EA	
147		HSP. 5-40	PIN, SPRING	5*40M/M	C	1.000	EA	
148		8A56	LINK		C	1.000	EA	
149		BOR. 16-2.5	O-RING	16*21*2.5	C	1.000	EA	
150		8A55Z01	LEVER, SHIFTING		C	1.000	EA	
151		8A57	SLEEVE		C	1.000	EA	
152		8A50	SHIFTING YOKE		C	1.000	EA	
153		8A39	BLOCK, SHIFTING		C	1.000	EA	
154		BOR. 19-2.5	O-RING	19*24*2.5	C	1.000	EA	
155		LZ. KNOB-R3Z01	HANDLE GRIP	M12*1.75	C	1.000	EA	
156		8A55-1Z01	LEVER		C	1.000	EA	

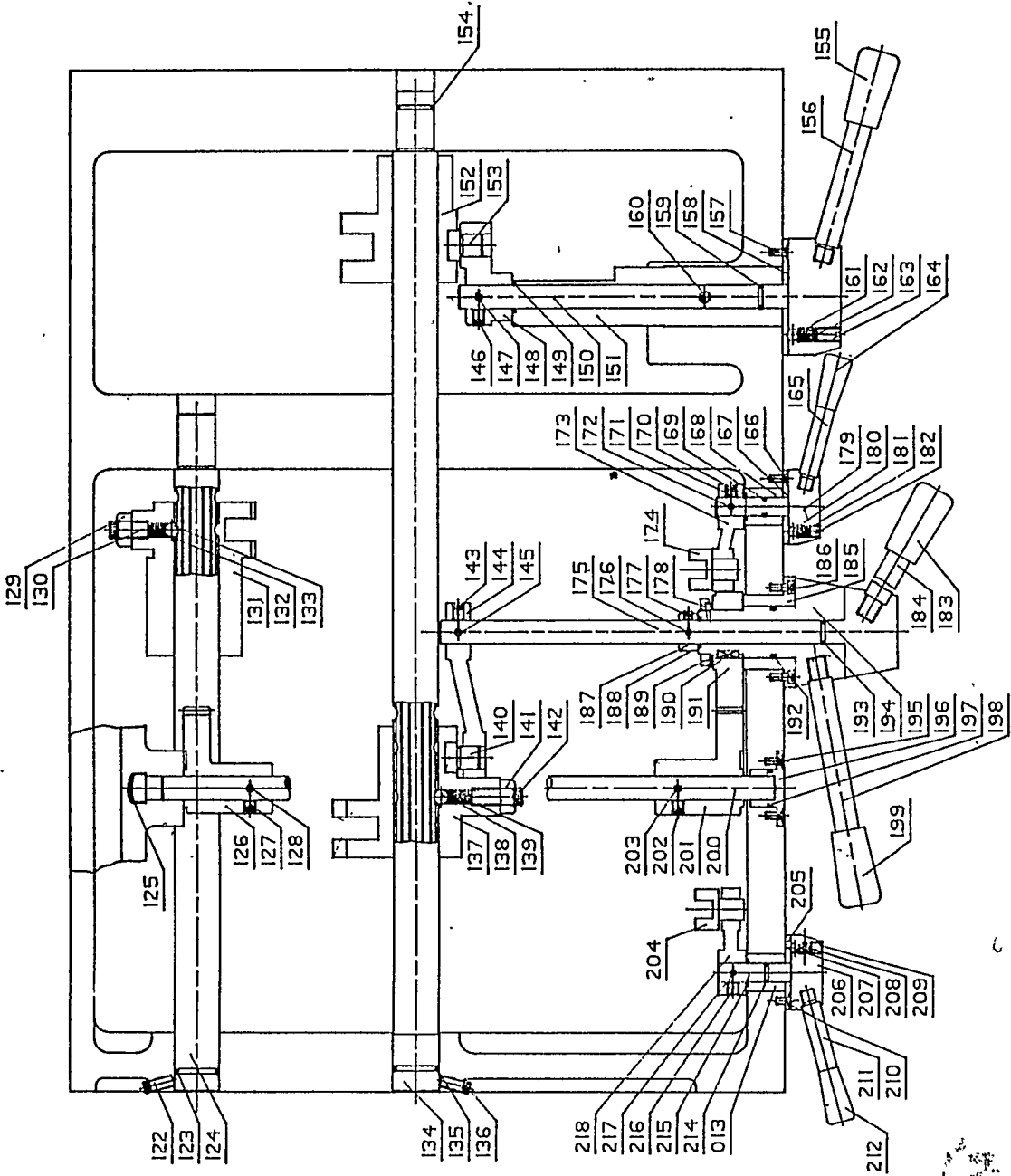



SEQ	CATALOG-NO	PART-NUMBER	DESCRIPTION	SPECIFICATION	TYPE	QTY	U/M	UNIT	12	34	56	78	9A	BC
206		8A28AZ02	PLATE, NOTCH		C	1.000	EA							
207	3343000	H6B.11/4	BALL, STEEL	1/4" +-0 AFBMA GRADE 25	C	1.000	EA							
208		HS. C5-56	SPRING	C5-56	C	1.000	EA							
209		SS.M6S12	SCREW, SET	M8*12MM P1.25	C	1.000	EA							
210		SF+.M5-10	SCREW	M5*10MM P0.9	C	2.000	EA							
211		5A46-1Z01	LEVER		C	1.000	EA							
212		LZ.KNOB-B1Z01	HANDLE GRIP	BLACK THREAD=M10*1.5 FOR:5E77&8A74	C	1.000	EA							
213		8A27	COLLAR		C	1.000	EA							
214		BOR. 9-2	O-RING	9*13*2	C	1.000	EA							
215		BOR.10-2.5	O-RING	10*15*2.5	C	1.000	EA							
216		SS.M6S10	SCREW, SET	M6*10MM P1.25	C	1.000	EA							
217		HSP. 5-32	PIN, SPRING	S*32M/M	C	1.000	EA							
218		8A31-2	SHIFTING YOKE		C	1.000	EA							
219		LZ.OC-3/4	COVER, PLASTIC OIL	3/4" UNF	C	1.000	EA							
220		8A64	WASHER		C	1.000	EA							
221		SC.M10S25	SCREW	M10*25-25MM P1.5	C	6.000	EA							
222		8A72	COVER, HEADSTOCK		C	3.000	EA							
223		S2305	STRAINER		C	1.000	EA							
224		LZ.Og-U	GAUGE, OIL		C	1.000	EA							
225		8A84L	PIPE, OIL		C	1.000	EA							
226		8A96	PIPE, LUB. OIL		C	2.000	EA							
227	9000798	H6B.11	PIPE CLAMP	D32 D29 B12.5 FOR:3A, H6, H64, OK (5A	C	1.000	EA							
228		PI.H5/8	COUPLING		C	1.000	EA							
229		8A96	PIPE, LUB. OIL		C	1.000	EA							
230	?	8B269	FILTER		C	1.000	EA							
231		SRC.M5S8	SCREW	M5*8MM P0.8	C	4.000	EA							
232		5B300	PLATE, NAME		C	1.000	EA							
233		PF.8A98	PLUG	8A98 (1/2NF20) (3/8)	C	1.000	EA							
234		PI.AL6	PIPE, ALUMINUM	8.0M/M	C	1.000	M							
235		PI.AL4	PIPE, ALUMINUM	4.0M/M (100M=3000G)	C	1.000	M							
236		PI.AL4	PIPE, ALUMINUM	4.0M/M (100M=3000G)	C	1.000	M							
237		PI.AL4	PIPE, ALUMINUM	4.0M/M (100M=3000G)	C	1.000	M							
238		PI.AL4	PIPE, ALUMINUM	4.0M/M (100M=3000G)	C	1.000	M							
239		PI.AL4	PIPE, ALUMINUM	4.0M/M (100M=3000G)	C	1.000	M							
240		PI.AL4	PIPE, ALUMINUM	4.0M/M (100M=3000G)	C	1.000	M							
241		SC.M6S20	SCREW	M6*20MM P1.0	C	2.000	EA							
242		PF.PA4	ADAPTER	WPA-4	C	16.000	EA							
243		PI.AL4	PIPE, ALUMINUM	4.0M/M (100M=3000G)	C	1.000	M							
244		PI.AL4	PIPE, ALUMINUM	4.0M/M (100M=3000G)	C	1.000	M							
245		PI.AL4	PIPE, ALUMINUM	4.0M/M (100M=3000G)	C	1.000	M							
246		PI.AL4	PIPE, ALUMINUM	4.0M/M (100M=3000G)	C	1.000	M							
247		PI.AL4	PIPE, ALUMINUM	4.0M/M (100M=3000G)	C	1.000	M							
248		PI.AL4	PIPE, ALUMINUM	4.0M/M (100M=3000G)	C	1.000	M							
249		PI.AL4	PIPE, ALUMINUM	4.0M/M (100M=3000G)	C	1.000	M							
250		PI.AL4	PIPE, ALUMINUM	4.0M/M (100M=3000G)	C	1.000	M							
251		PI.AL4	PIPE, ALUMINUM	4.0M/M (100M=3000G)	C	1.000	M							
252		8A82	PIPE, ALUMINUM	4.0M/M (100M=3000G)	C	1.000	M							
253		PF.P88	DISTRIBUTOR, OIL	WPG-8	C	2.000	EA							

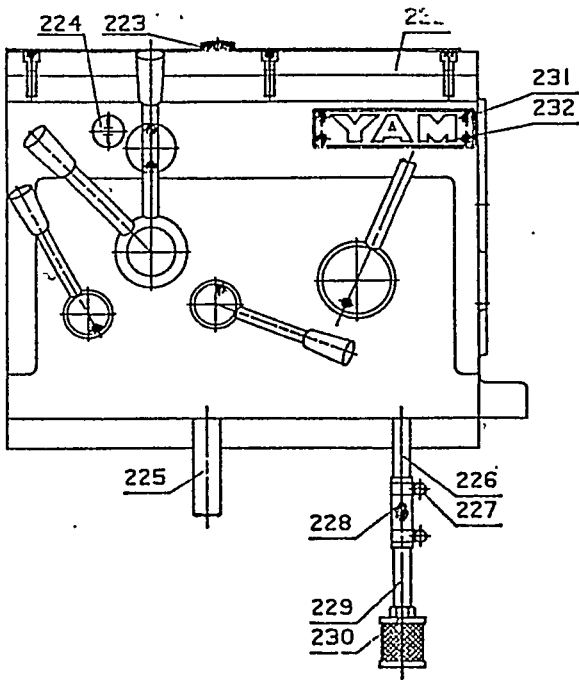
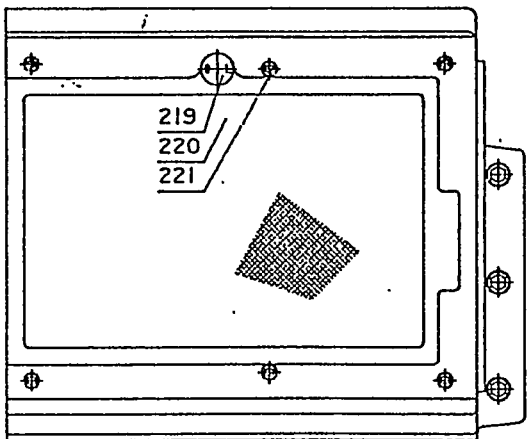
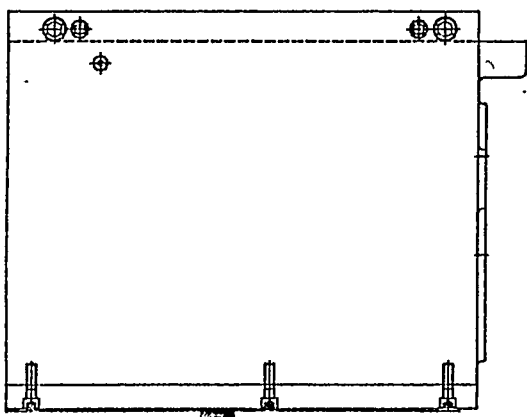
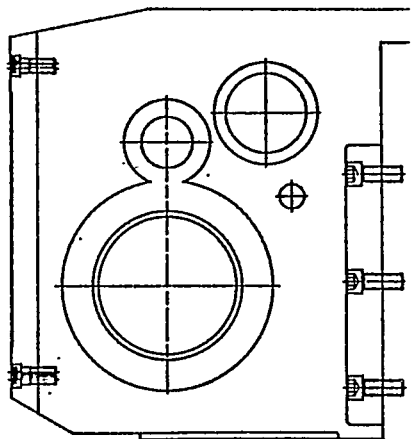




 棉铁工廠股份有限公司	76.10.27	1:3	统一 编号	APD.B.N.10.P1	版 次
	日期	比例		号	





 棉鉄工廠股份有限公司	76.10.27	LG3	APD.B.N.10.P2	0
	日期	比類	統一	短
			号	号



 棉铁工廠股份有限公司	76.10.28	1:5	統一	號	 號	APD.B.N.10.P3	0
	日期						

SEQ	CATALOG-NO	PART-NUMBER	DESCRIPTION	SPECIFICATION	TYPE	QTY	U/M	UNIT	12	34	56	78	9A	BC
001		8A89Z02	SHAFT, SPLINE		C	1.000	EA							
002		8A90Z02	BUSHING		C	1.000	EA							
003	9000201	SC. M8630	SCREW	M8*30MM P1.25	C	4.000	EA							
004		B06. TC35-64	SEAL, OIL	TC35*64*13	C	1.000	EA							
005		BB. 63072	BEARING	63072	C	1.000	EA							
006		8A75HZ02	BOX, AXLE		C	1.000	EA							
006		8A75LZ02	BOX, AXLE		C	1.000	EA							
007		HR. 638	RING, RETAINING	S-38M/M	C	1.000	EA							
008		8A14	GEAR		C	1.000	EA							
009		BB. 6006	BEARING	6006	C	2.000	EA							
010		8A17	SPACER		C	1.000	EA							
011		8A20-2	KEY		C	1.000	EA							
012		HR. 648	RING, RETAINING	S-48M/M	C	1.000	EA							
013		HK. 7823	KEY	7 (-6%) -10% *7 (-10%) -20% *23 (-15%) -	C	1.000	EA							
014		8A15	GEAR		C	1.000	EA							
015		HK. 7618	KEY	7 (-2%) -4% *7 (-10%) -20% *18 (-15%) -2	C	1.000	EA							
016		8A20-1	GEAR		C	1.000	EA							
017		8A91	COLLAR		C	1.000	EA							
018		BB. 6305	BEARING		C	1.000	EA							
019	9000727	BB. 6002	BEARING		C	1.000	EA							
020		8A92	COLLAR		C	1.000	EA							
021		N50205	PUMP	(KUSE) KSP-B12Y OR (N.O.P) IRA-1FS	C	1.000	EA							
022		LPK. B12Y	WASHER	(KUSE) KSP B12Y	C	1.000	EA							
023		SC. M8645	SCREW	M8*45MM P1.0	C	3.000	EA							
024	5141000	PP. C1/4	PLUG	1/4" PT	C	2.000	EA							
025		SR+. M6-8	SCREW	M6*8MM P1.0	C	3.000	EA							
026		8A93-1	COVER		C	1.000	EA							
027		BTR. 30205	BEARING	30205	C	1.000	EA							
028		8A12	COVER		C	1.000	EA							
029		8A11	SHAFT		C	1.000	EA							
030	9000533	SC. M8625	SCREW	M8*25MM P1.25	C	3.000	EA							
031		8A10	COVER		C	1.000	EA							
032		SS. M10945	SCREW, SET	M10*45MM P1.5	C	1.000	EA							
033		SN. M101	NUT	M10*P1.5 B=14 H=8	C	1.000	EA							
034		HR. 638	GEAR		C	1.000	EA							
035		HR. 638	RING, RETAINING	S-38M/M	C	2.000	EA							
036		HK. 7616	KEY	7 (-2%) -4% *7 (-10%) -20% *16 (-15%) -2	C	2.000	EA							
037		HR. 648	RING, RETAINING	S-48M/M	C	1.000	EA							
038		8A 9-2	GEAR		C	1.000	EA							
039		8A 7	COLLAR		C	1.000	EA							
040		BB. 6010	BEARING	6010	C	1.000	EA							
041	6326001	HR. 650	RING, OUTER RETAINING	S-50M/M	C	1.000	EA							
042		8A 8	GEAR		C	1.000	EA							
043		8A 3	GEAR		C	1.000	EA							
044		8A 6	SPACER		C	1.000	EA							
045		8A 4	GEAR		C	1.000	EA							
045		BN. RHA49/32	BEARING, NEEDLE ROOLER	RHA49/32	C	2.000	EA							
047		HK. 7557	KEY	7 (-2%) -4% *7 (-10%) -20% *57 (-25%) -3	C	1.000	EA							
048		HR. 670	RING, RETAINING	S-70M/M	C	1.000	EA							

2  
1

BOM201/PDMPROC YANG WORKS.  
 PARENT PART: APD.B.N.11  
 OP CODE : 2

\*\*\*\*\* PARTS LIST \*\*\*\*\*  
 PARENT DESCRIPTION: HEADSTOCK (CAM)  
 SELECTION :


DATE: 06/20/77  
 MODEL: YAN-950, 1250, 2000, 2500  
 ECDATE: 99/99/99

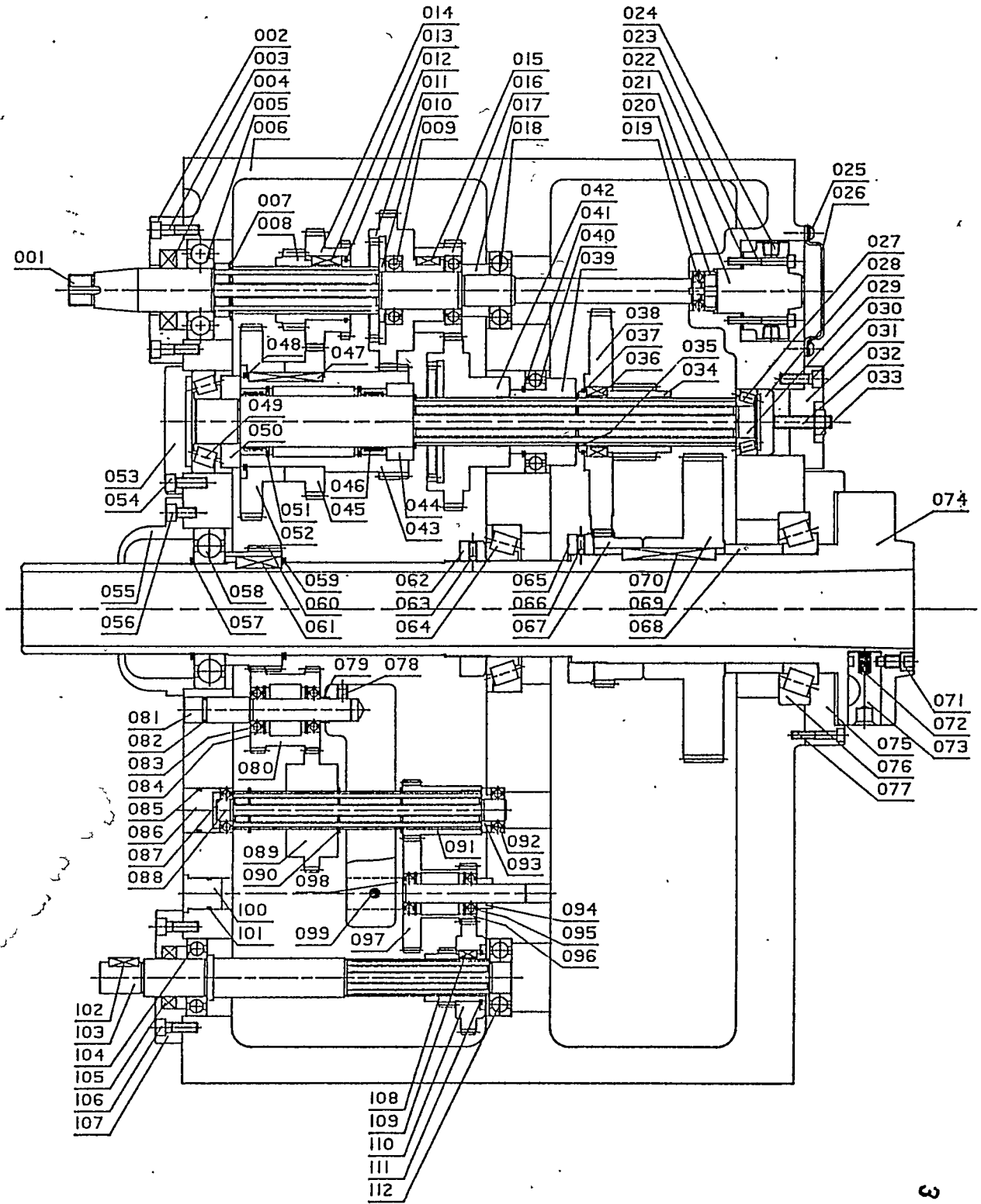
SEQ	CATALOG-NO	PART-NUMBER	DESCRIPTION	SPECIFICATION	TYPE	QTY	U/M	UNIT	12	34	56	78	9A	BC
049		BTR. 30307	BEARING	30307	C	1.000	EA							
050		8A 2	SPACER		C	1.000	EA							
051		H8R. R52	RING, INNER RETAINING	R-52M/M	C	2.000	EA							
052		8A 5	GEAR		C	1.000	EA							
053		8A 1201	COVER, SPINDLE	M8*25MM P1.25	C	1.000	EA							
054	9000533	SC. M8S25	SCREW		C	3.000	EA							
055		8A68201	COVER, AXLE		C	1.000	EA							
056		SC. M8S16	SCREW	M8*16MM P1.25	C	1.000	EA							
057		H8R. S70	RING, RETAINING	S-70M/M	C	1.000	EA							
058		BR. 6214	BEARING	6214	C	1.000	EA							
059		H8R. S72	RING, RETAINING	S-72M/M	C	1.000	EA							
060		8A63	GEAR		C	1.000	EA							
061		HK. 7S35	KEY	7(-2%)-4% *7(-10%)-20% *35(-25%)-3	C	1.000	EA							
062		8A67202	NUT, LOCK		C	1.000	EA							
063		:5A74	PIN		C	4.000	EA							
064		BTR. 30215PS	NUT, LOCK	30215 PS	C	1.000	EA							
065		8A61202	SCREW, SET	M6*8MM P1.0	C	1.000	EA							
066		8S. M8S8	GEAR		C	4.000	EA							
067		8A70	GEAR		C	1.000	EA							
068		8A59	SPACER		C	1.000	EA							
069		8A59	GEAR		C	1.000	EA							
070		HK. 9S72	KEY	9(-2%)-4% *9(-10%)-20% *72(-25%)-3	C	1.000	EA							
071		SC. M10S19B	SCREW	M10*19MM P1.5	C	1.000	EA							
072		HS. C5-03	SPRING	P-1.2*8.73*23.5-10N (C5-03)	C	6.000	EA							
073		8A77	CAM, ADJUSTABLE		C	6.000	EA							
074		8A76704	SPINDLE		C	1.000	EA							
075		8A81	COVER		C	1.000	EA							
076		BTR. 30217PS	COVER	30217 PS	C	1.000	EA							
077		SC. M6S35	SCREW	M6*35MM P1.0	C	6.000	EA							
078		8S. M8S8	SCREW, SET	M8*8MM P1.25	C	1.000	EA							
079		8A80	SPACER		C	1.000	EA							
080		8A34	GEAR		C	1.000	EA							
081		8A41201	MANDREL		C	1.000	EA							
082		BOR. P16	O-RING	P16	C	1.000	EA							
083	7043000	BB. 6003	BEARING	6003	C	2.000	EA							
084		H8R. R35	RING, RETAINING	R-35M/M	C	2.000	EA							
085		BOR. 28-3	O-RING	28*34*3	C	1.000	EA							
086		8A43	COLLAR		C	1.000	EA							
087		BB. 6003	BEARING	6003	C	1.000	EA							
088		8A35	SHAFT		C	1.000	EA							
089		8A32	GEAR		C	1.000	EA							
090		H8R. S30	RING, OUTER RETAINING	S-30M/M	C	3.000	EA							
091	7012001	8A33	GEAR		C	1.000	EA							
092		BR. 6003	BEARING	6003	C	1.000	EA							
093		8A37	WASHER		C	1.000	EA							
094		8A79	SPACER		C	1.000	EA							
095		BB. 6002	BEARING	6002	C	2.000	EA							
096	6A05000	H8R. R32	RING, RETAINING	R-32M/M	C	2.000	EA							
097		8A40	GEAR		C	1.000	EA							

SEQ	CATALOG-NO	PART-NUMBER	DESCRIPTION	SPECIFICATION	TYPE	QTY	U/M	UNIT	SELECTION
098		8A42	SHAFT		C	1.000	EA		
099		SS.M8S12	SCREW, SET	M8*12MM P1.25	C	1.000	EA		
100		8A44	PLUG		C	1.000	EA		
101		BOR. 19-2.5	O-RING	19*24*2.5	C	1.000	EA		
102		HK. 7623	KEY	7 (-6%)-10% *7 (-10%)-20% *23 (-15%)-	C	1.000	EA		
103		8A30Z01	SHAFT, SPLINE		C	1.000	EA		
104		BB. 6206Z	BEARING	6206Z	C	1.000	EA		
105		B06. TC30-50	SEAL, OIL	TC30*50*11	C	1.000	EA		
106	9000533	SC.M8S25	SCREW	M8*25MM P1.25	C	1.000	EA		
107		8A26Z01	COVER, SHAFT		C	1.000	EA		
108		8A23	GEAR		C	1.000	EA		
109		HK. 6614	KEY	6 (-2%)-4% *6 (-10%)-20% *14 (-15%)-2	C	1.000	EA		
110		8A24	GEAR		C	1.000	EA		
111		H8R. 638	RING, RETAINING	8-38M/M	C	1.000	EA		
112	9000727	BB. 6305	BEARING	6305	C	1.000	EA		
122		SS.M8S20	SCREW, SET	M8*20MM P1.25	C	1.000	EA		
123		BOR. 625	RING, "O"	G25	C	1.000	EA		
124		8A25	SPINDLE, SPLINE		C	1.000	EA		
125		8A52	PLUG		C	1.000	EA		
126		8A60	GEAR, SECTOR		C	1.000	EA		
127		SS.M8S8	SCREW, SET	M8*8MM P1.25	C	1.000	EA		
128		HSP. 5-40	PIN, SPRING	5*40M/M	C	1.000	EA		
129		SN.M12IB	NUT	M12*P1.75 B=19 H=10	C	1.000	EA		
130		SS.M12S25	SCREW, SET	M12*25MM P1.75	C	1.000	EA		
131		8A22	DOG, SHIFT		C	1.000	EA		
132		H6. C5-02	SPRING	P-1.6*9*25-9N (C5-02)	C	1.000	EA		
133	3407000	H6B. I3/8	BALL, STEEL	3/8"	C	1.000	EA		
134		8A54	SPINDLE, SPLINE		C	1.000	EA		
135		BOR. P26	"O" -RING	P26	C	1.000	EA		
136		SS.M8S20	SCREW, SET	M8*20MM P1.25	C	1.000	EA		
137		8A51	ROCKING ARM		C	1.000	EA		
138	3407000	H6B. I3/8	BALL, STEEL	3/8"	C	1.000	EA		
139		H6. C5-02	SPRING	P-1.6*9*25-9N (C5-02)	C	1.000	EA		
140		8A39	BLOCK, SHIFTING		C	1.000	EA		
141		SN.M12IB	NUT	M12*P1.75 B=19 H=10	C	1.000	EA		
142		SS.M12S30	SET SCREW	M12*30MM P1.75	C	1.000	EA		
143		SS.M8S10	SCREW, SET.	M8*10MM P1.25	C	1.000	EA		
144		8A48	LINK		C	1.000	EA		
145		HSP. 5-40	PIN, SPRING	5*40M/M	C	1.000	EA		
146		SS.M8S10	SCREW, SET	M8*10MM P1.25	C	1.000	EA		
147		HSP. 5-40	PIN, SPRING	5*40M/M	C	1.000	EA		
148		8A56	LINK		C	1.000	EA		
149		BOR. 16-2.5	O-RING	16*21*2.5	C	1.000	EA		
150		8A55Z01	LEVER, SHIFTING		C	1.000	EA		
151		8A57	SLEEVE		C	1.000	EA		
152		8A50	SHIFTING YOKE		C	1.000	EA		
153		8A39	BLOCK, SHIFTING		C	1.000	EA		
154		BOR. 19-2.5	O-RING	19*24*2.5	C	1.000	EA		
155		L.Z. KNOB-B3Z01	HANDLE GRIP	M12*1.75	C	1.000	EA		

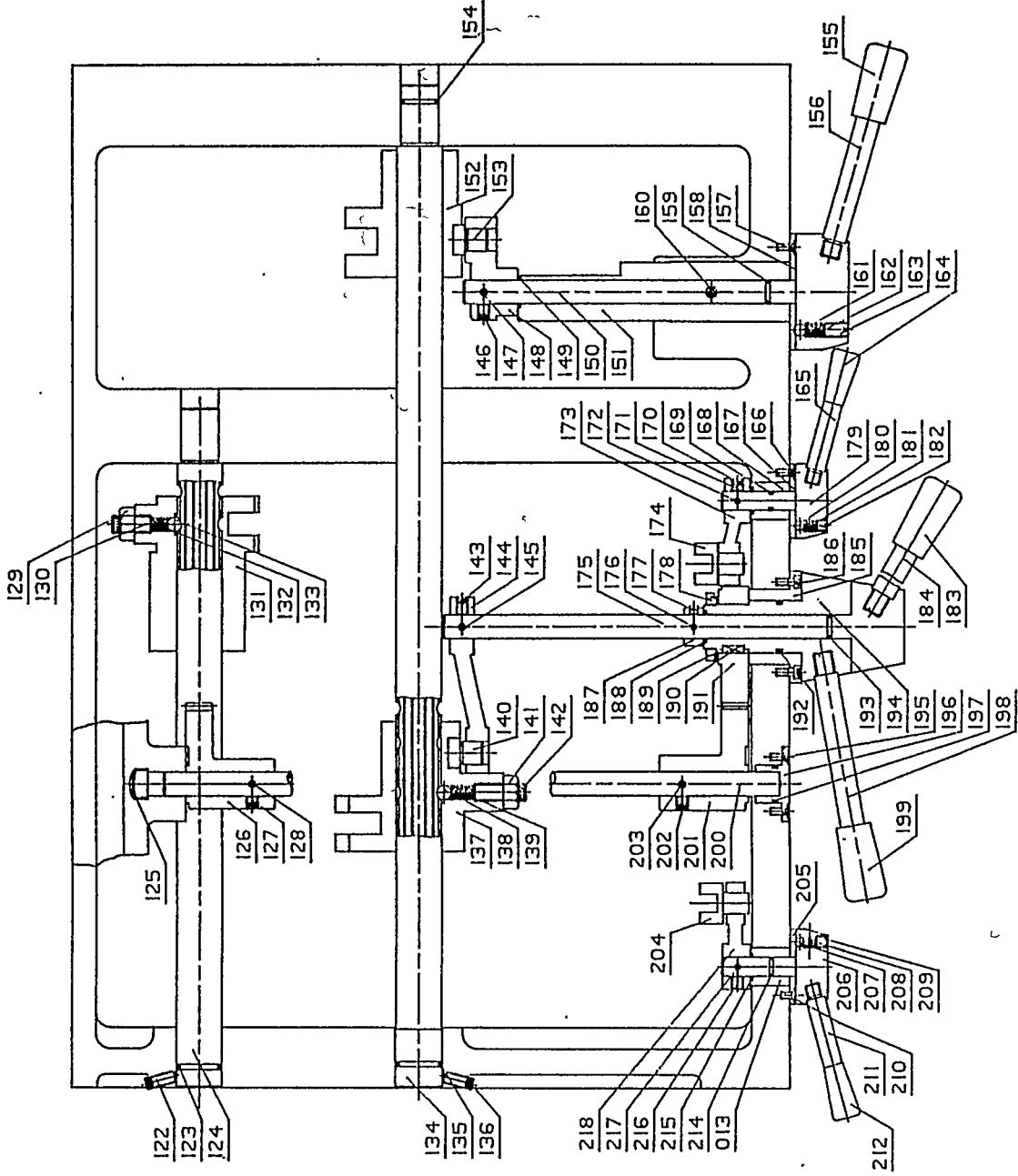


SEQ	CATALOG-NO	PART-NUMBER	DESCRIPTION	SPECIFICATION	TYPE	QTY	U/M	UNIT	SELECTION
205		8A26-2A	GROOVED SEAT		C	1.000	EA		
206		8A28A202	PLATE, NOTCH		C	1.000	EA		
207	3343000	HSB. 11/4	BALL, STEEL	1/4" +-0 AFBMA GRADE 25	C	1.000	EA		
208		HS. CS-56	SPRING	CS-56	C	1.000	EA		
209		SS. M8312	SCREW, SET	M8*12MM P1.25	C	1.000	EA		
210		SF+. M5-10	SCREW	M5*10MM P0.9	C	2.000	EA		
211		5A46-1Z01	LEVER		C	1.000	EA		
212		LZ. KNOB-B1Z01	HANDLE GRIP	BLACK THREAD=M10*1.5 FOR: SE77&8A74	C	1.000	EA		
213		8A27	COLLAR		C	1.000	EA		
214		BOR. 9-2	O-RING	9*13*2	C	1.000	EA		
215		BOR. 10-2.5	O-RING	10*15*2.5	C	1.000	EA		
216		SS. M8310	SCREW, SET	M8*10MM P1.25	C	1.000	EA		
217		HSP. 5-32	PIN, SPRING	5*32M/M	C	1.000	EA		
218		8A31-2	SHIFTING YOKE		C	1.000	EA		
219		LZ. OC-3/4	COVER, PLASTIC OIL	3/4" UNF	C	1.000	EA		
220		8A64	WASHER		C	1.000	EA		
221		SC. M10S25	SCREW	M10*25-25MM P1.5	C	6.000	EA		
222		8A72	COVER, HEADSTOCK		C	3.000	EA		
223		5B305	STRAINER		C	1.000	EA		
224		LZ. OG-D	GAUGE, OIL	D32 D29 B12.5 FOR: 3A, HS, H84, CK (5A	C	1.000	EA		
225		8A84L	PIPE, OIL		C	1.000	EA		
226		8A96	PIPE, LUB. OIL		C	1.000	EA		
227	9000798	HHB. 11	PIPE CLAMP		C	2.000	EA		
228		PI. H5/8	COUPLING		C	1.000	M		
229		8A96	PIPE, LUB. OIL		C	1.000	EA		
230	?	8B269	FILTER		C	1.000	EA		
231		SRC. M5S8	SCREW	M5*8MM P0.8	C	4.000	EA		
232		5B300	PLATE, NAME		C	1.000	EA		
233		PF. 8A98	PLUG	8A98 (1/2NF20) (3/8)	C	1.000	EA		
234		PI. AL8	PIPE, ALUMINUM	8. 0M/M	C	1.000	M		
235		PI. AL4	PIPE, ALUMINUM	4. 0M/M (100M=3000G)	C	1.000	M		
236		PI. AL4	PIPE, ALUMINUM	4. 0M/M (100M=3000G)	C	1.000	M		
237		PI. AL4	PIPE, ALUMINUM	4. 0M/M (100M=3000G)	C	1.000	M		
238		PI. AL4	PIPE, ALUMINUM	4. 0M/M (100M=3000G)	C	1.000	M		
239		PI. AL4	PIPE, ALUMINUM	4. 0M/M (100M=3000G)	C	1.000	M		
240		PI. AL4	PIPE, ALUMINUM	4. 0M/M (100M=3000G)	C	1.000	M		
241		SC. M6S20	SCREW	M6*20MM P1.0	C	2.000	EA		
242		PF. PA4	ADAPTER	WPA-4	C	16.000	EA		
243		PI. AL4	PIPE, ALUMINUM	4. 0M/M (100M=3000G)	C	1.000	M		
244		PI. AL4	PIPE, ALUMINUM	4. 0M/M (100M=3000G)	C	1.000	M		
245		PI. AL4	PIPE, ALUMINUM	4. 0M/M (100M=3000G)	C	1.000	M		
246		PI. AL4	PIPE, ALUMINUM	4. 0M/M (100M=3000G)	C	1.000	M		
247		PI. AL4	PIPE, ALUMINUM	4. 0M/M (100M=3000G)	C	1.000	M		
248		PI. AL4	PIPE, ALUMINUM	4. 0M/M (100M=3000G)	C	1.000	M		
249		PI. AL4	PIPE, ALUMINUM	4. 0M/M (100M=3000G)	C	1.000	M		
250		PI. AL4	PIPE, ALUMINUM	4. 0M/M (100M=3000G)	C	1.000	M		
251		PI. AL4	PIPE, ALUMINUM	4. 0M/M (100M=3000G)	C	1.000	M		
252		8A82	DISTRIBUTOR, OIL	4. 0M/M (100M=3000G)	C	1.000	M		
253		PF. PG8	PLUG	WPB-8	C	2.000	EA		

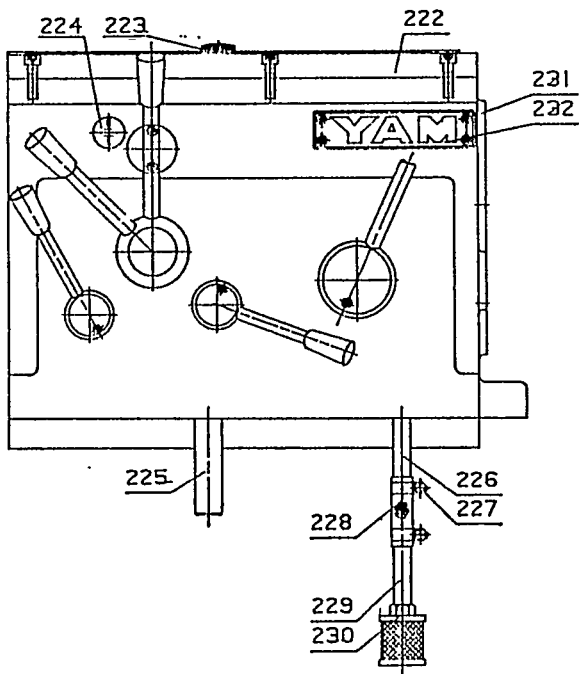
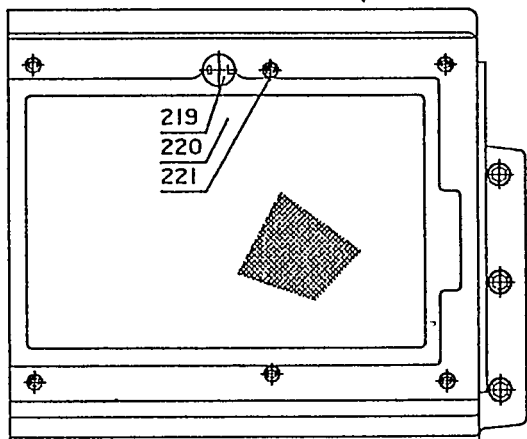
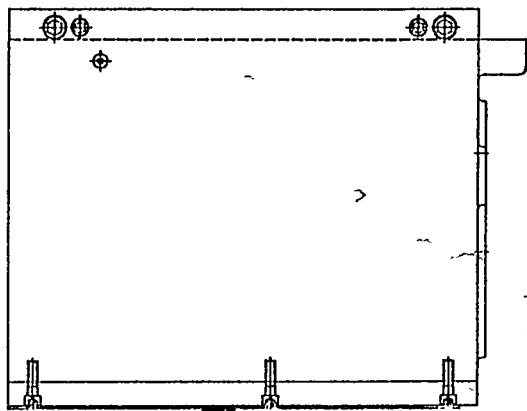
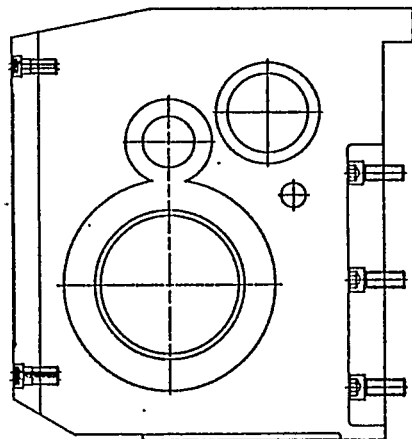
 楊鐵工廠股份有限公司		77.02.04	1:3	统一编号	APD.B.N.II.PI	号	版次
		日期					








	76.11.17 日期		1:3 比例		图 号 统一 程 号		APD.B.N.11.P2 图 号		0 版 次	
	棉 铁 工 厂 股 份 有 限 公 司									

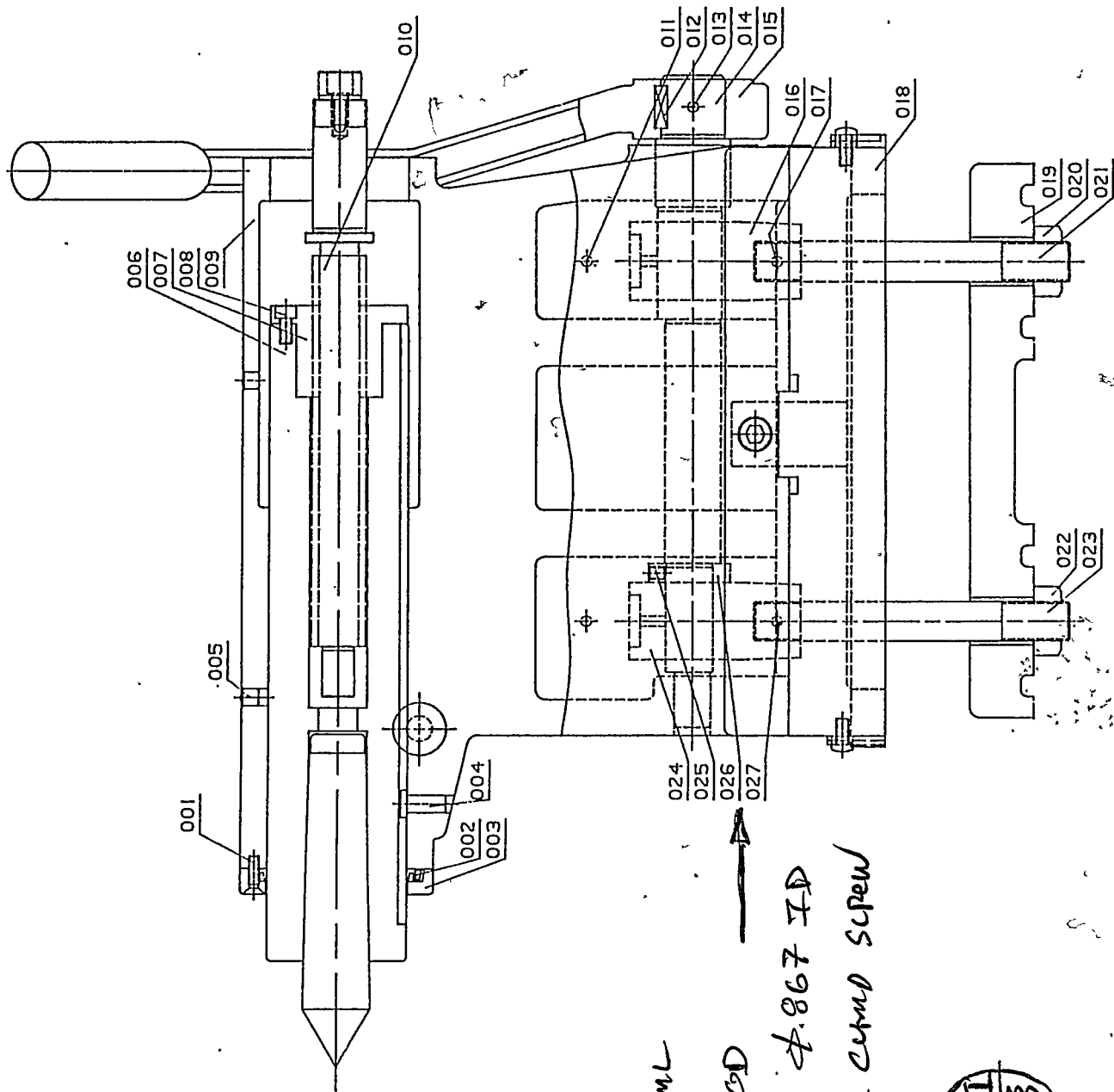


 楊鐵工廠股份有限公司				ZS.1L17		APD.B.N.1LP3	
日期		比例		统一编号		图号	
		L5				0	
						版次	

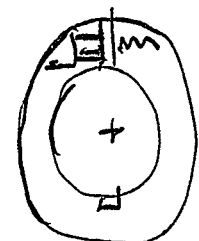
\*\*\*\*\* PARTS LIST \*\*\*\*\* PAGE: 42  
 PARENT DESCRIPTION: TAILSTOCK SELECTION

SEQ	CATALOG-NO	PART-NUMBER	DESCRIPTION	SPECIFICATION	TYPE	QTY	U/M	UNIT	SELECTION
001		SF+. M5-15	SCREW	M5*15MM P0.9	C	4.000	EA		
002		LA.8	O-RING	61*82*6M/M	C	1.000	EA		
003		8B102Z01	COVER, HOOD		C	1.000	EA		
004		SB 99	T-KEY		C	1.000	EA		
005		PG. 55/16	BALL, COPPER	5/16" (C'D) MUST +0.05 TO 0.15MM	C	2.000	EA		
006		8B103Z01	SLEEVE, CENTER	300*65*64.5	C	1.000	EA		
007		8B109E	NUT, FEED SCREW		C	1.000	EA		1
008		8B109E	NUT, FEED SCREW		C	1.000	EA		2
009		8C. M6S12	SCREW	M6*12MM P1.0	C	4.000	EA		
010		8B278RZ01	TAILSTOCK		C	1.000	EA		2
011		8B278LZ01	TAILSTOCK		C	1.000	EA		1
012		8B337M204	SCREW, LEAD		C	1.000	EA		1
013		8B337EZ04	SCREW, LEAD		C	1.000	EA		2
014		PI. CU1/4	COPPER PIPE	1/4" *22H	C	1.000	M		
015		HK. 6S20	KEY	6(-1%)-2%)+6(-10%)-20%)*20(-15%)-2	C	1.000	EA		
016		HSP. 5-50	PIN, SPRING	5*50M/M	C	1.000	EA		
017		8B279	SHAFT, CAM		C	1.000	EA		
018		8B289H	HANDLE		C	1.000	EA		2
019		8B289LZ01	HANDLE		C	1.000	EA		1
020		8B281Z01	ARM		C	1.000	EA		
021		HSP. 5-32	PIN, SPRING	5*32M/M	C	1.000	EA		
022		8B167H	BASE		C	1.000	EA		
023		8B167L	BASE		C	1.000	EA		
024		8B283	BLOCK, CLAMPING		C	1.000	EA		
025		SN. M20	NUT	M20*P2.5 B=30 H=16	C	2.000	EA		
026		8B282HZ01	BOLT, CLAMPING		C	1.000	EA		2
027		8B282LZ01	BOLT, CLAMPING		C	1.000	EA		1
028		SN. M20	NUT	M20*P2.5 B=30 H=16	C	2.000	EA		
029		8B282HZ01	BOLT, CLAMPING		C	1.000	EA		2
030		8B282LZ01	BOLT, CLAMPING		C	1.000	EA		1
031		8B280Z01	ARM		C	1.000	EA		
032		SS. M6S8	SCREW, SET	M6*8MM P1.0	C	1.000	EA		
033		8B286	COLLAR, DISTANCE	see sketch next page	C	1.000	EA		
034		HSP. 5-32	PIN, SPRING	5*32M/M	C	1.000	EA		
035		8B341	SPACER		C	1.000	EA		
036		8B340	GEAR		C	1.000	EA		
037		HK. 5S12	KEY	5(-2%)-4%)*5(-10%)-20%)*12(-15%)-2	C	1.000	EA		
038		8B338Z01	NUT, LOCK		C	1.000	EA		
039		BTR. 2905	WHEEL, TOOTH LOCK		C	1.000	EA		
040		SB319	BEARING	2905	C	2.000	EA		
041		HK. 5S25	KEY	M= 1.5, T= 19, D= 15, B= 10, N=3	C	1.000	EA		
042		8B342	SHAFT	5(-5%)-10%)*5(-10%)-20%)*25(-15%)-	C	1.000	EA		
043		HSR. 935	RING, OUTER RETAINING	S-35M/M	C	1.000	EA		
044		8B344	SPACER		C	1.000	EA		
045		8B113	HANDLE		C	1.000	EA		
046		8B112Z01	HANDWHEEL, TAILSTOCK		C	1.000	EA		
047		8B111M	COLLAR, GRADUATED		C	1.000	EA		1
048		8B111E	COLLAR, GRADUATED		C	1.000	EA		2

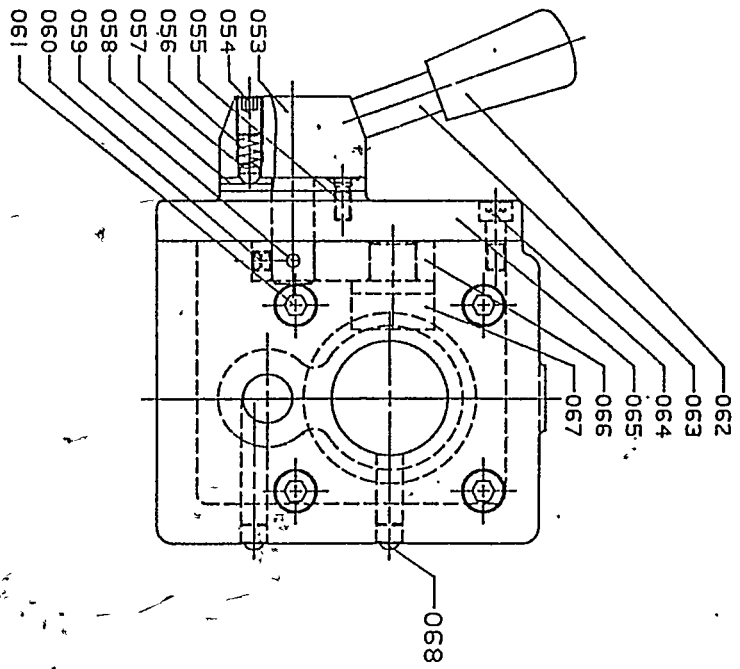
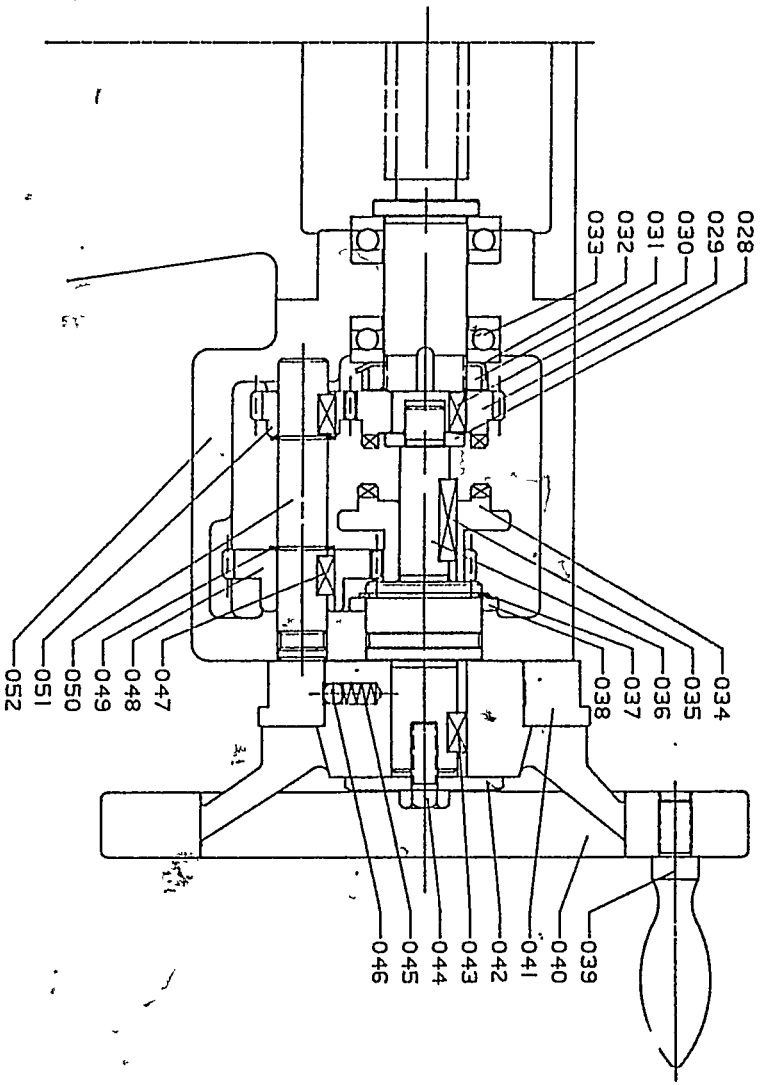
SEQ	CATALOG-NO	PART-NUMBER	DESCRIPTION	SPECIFICATION	TYPE	QTY	U/M	UNIT	SELECTION
042		8B356	WASHER KEY	5(-2%)-4%)*5(-10%)-20%*12(-15%)-2 (13) M8*20MM P1.25	C	1.000	EA		
043		HK. 5612	SCREW	P-1.0*6.3*13.5-6N (05-22)	C	1.000	EA		
044		SH. M8-20	SPRING	1/4" +-0 AFPM A GRADE 25	C	1.000	EA		
045		H5. 05-22	BALL, STEEL	5(-2%)-4%)*5(-10%)-20%*12(-15%)-2	C	2.000	EA		
046	3343000	H5B. 11/4	KEY	M= 1.5, T= 30, D= 15, R= 9, N=3	C	1.000	EA		
047		HK. 5612	GEAR	6-15M/M	C	2.000	EA		
048		SB324	RING, OUTER SNAP		C	1.000	EA		
049		H5R. 515	SHAFT		C	1.000	EA		
050		SB326	GEAR	M= 1.5, T= 19, D= 15, R= 9, N=3	C	1.000	EA		
051		SR325	HOUSING, BEARING		C	1.000	EA		
052		8B354202	GRIP PAGE	M8*12MM P1.25	C	1.000	EA		
053		SB329201	SCREW, SET	M5*10MM P0.9	C	1.000	EA		
054		SS. M6512	SCREW	P-1*6*15-7N (05-12)	C	1.000	EA		
055		GF+. M5-10	SPRING	1/4" +-0 AFPM A GRADE 25	C	1.000	EA		
056		H5. 05-12	BALL, STEEL		C	1.000	EA		
057	3343000	H5B. 11/4	NOTCH PLATE		C	1.000	EA		
058		SB330	SCREW, SET	4*25M/M	C	1.000	EA		
059		H5P. 4-25	SCREW, SET	M6*6MM P1.0	C	1.000	EA		
060		SS. M656	SCREW	M8*120MM P1.25	C	3.000	EA		
061		SC. M85120	HANDLE	M8*40MM P1.25	C	1.000	EA		
062		LZ. KNOB-B2201	ROCKER	BLACK M10*1.5 FOR: 550&650&627	C	1.000	EA		
063		SA51-1201	SCREW		C	1.000	EA		
064		SC. M6518	COVER	M6*18MM P1.0	C	4.000	EA		
065		SB355	FEED SCREW		C	1.000	EA		
066		SB332	BLOCK, SHIFTING		C	1.000	EA		
067		8B349	BALL, COPPER	5/16" ('D') MUST +0.05 TO 0.15MM	C	1.000	EA		
068		PG. 55/16	BAR, DRAW		C	3.000	EA		
069		8B369	STICK, CLAMPING		C	1.000	EA		
070		8B106201	SCREW		C	1.000	EA		
071		8B288	SCREW		C	1.000	EA		
072		SC. M10965	WIPE PAD	M10*65MM P1.5	C	2.000	EA		
073		SB 95	SCREW		C	2.000	EA		
074	8106000	SR+. M6-12	WASHER, FLATE	M6*12MM P1.0	C	2.000	EA		
075	8140000	HM. M6	WIPE PAD	M6 (O.D)=11.5MM T=1.6MM	C	2.000	EA		
076		LA. SB94	ROD, CLAMPING	SR94&8B120-1&8P72-2 (25.5+36MM)	C	1.000	EA		
077		SB342	SCREW		C	1.000	EA		
078		SC. M5510	LEVER	M5*10MM P0.9	C	1.000	EA		
079		SB341	SCREW		C	1.000	EA		
080		SC. M10650	WIPE PAD	M10*50MM P1.5	C	2.000	EA		
081		SB 97	SCREW		C	2.000	EA		
082	8106000	SR+. M6-12	WASHER, FLATE	M6*12MM P1.0	C	2.000	EA		
083	8140000	HM. M6	WIPE PAD	M6 (O.D)=11.5MM T=1.6MM	C	2.000	EA		
084		LA. SB96	ROD, CLAMPING	SR96&8B122 (25*36MM)	C	1.000	EA		
085		SB347	SCREW	8*10	C	2.000	EA		
086		HPP. 6-40	PIN, LOCATING	4.5*40M/M	C	1.000	EA		




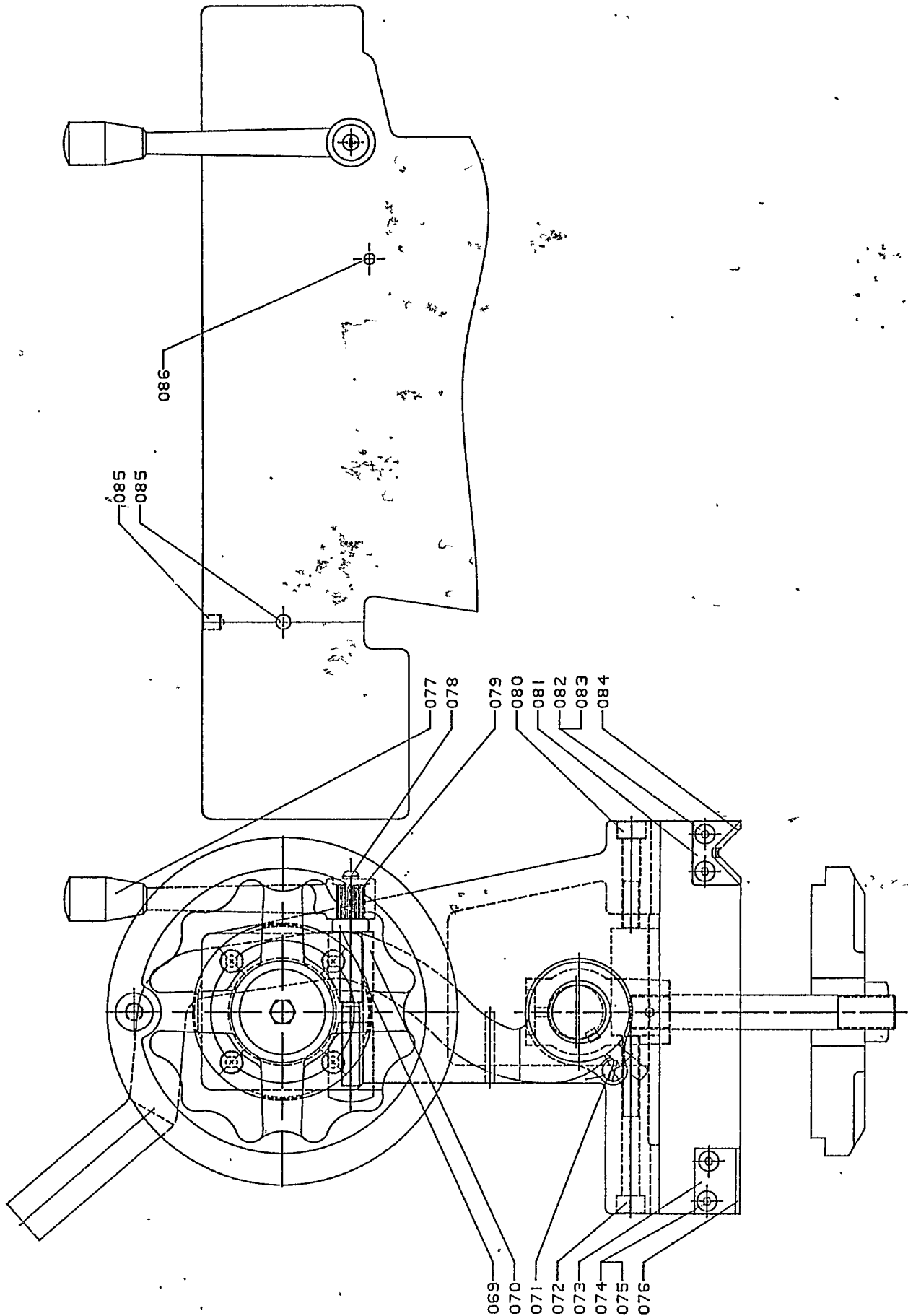
12/22/12 TML  
 φ1.50 OD  
 1/2 TML φ.867 ID  
 #10-32 CUNIP SCREW




 楊鐵工廠股份有限公司	日期	76.10.28	比例	1:2	統一編號	圖號	APJ.B.N.12.PI	0
	日期	76.10.28	比例	1:2	統一編號	圖號	APJ.B.N.12.PI	0



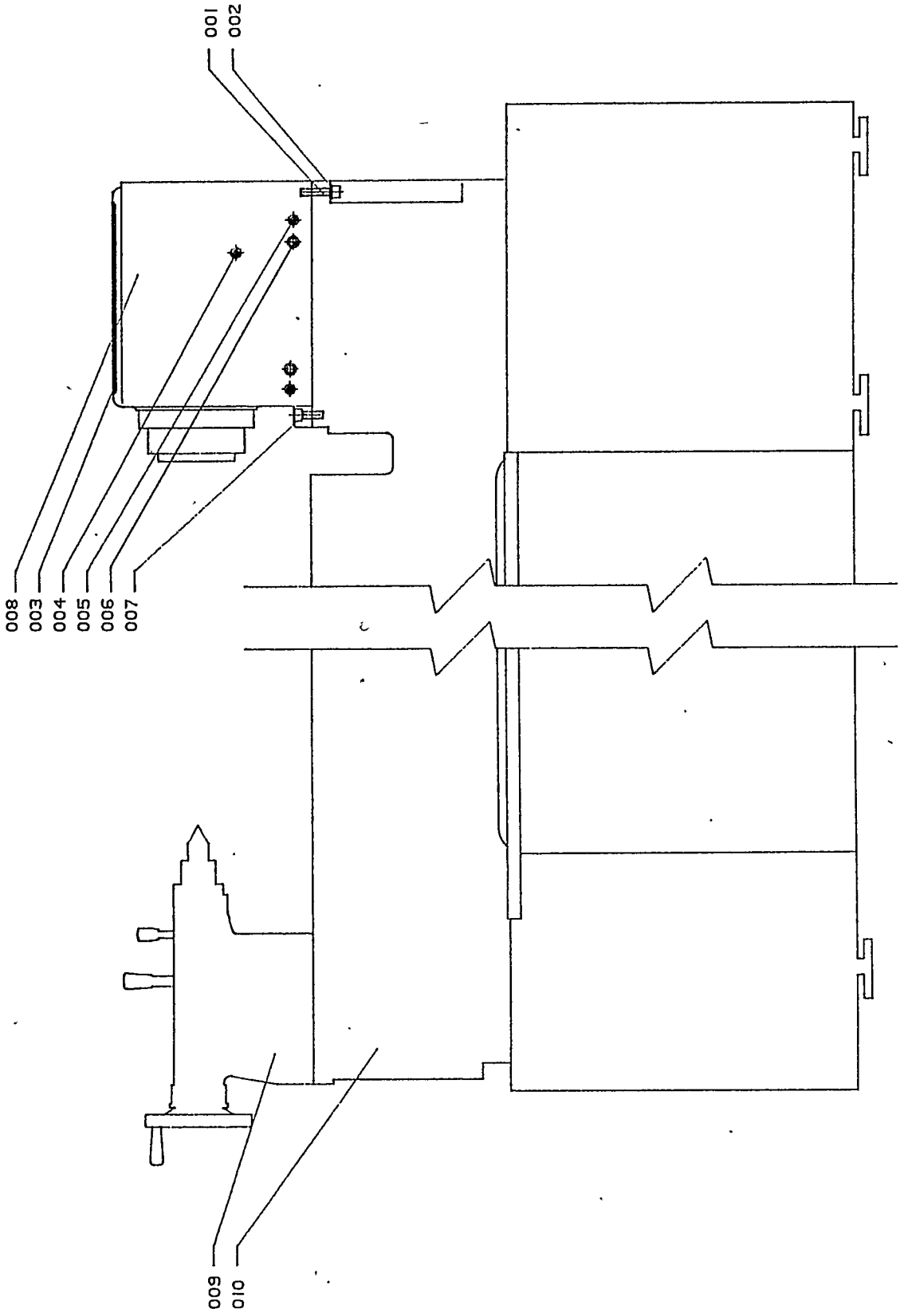
 楊鐵工廠股份有限公司	76.10.29	1:1.5	統一 圖 號	APD.A.N.12.P2	圖 號	0	矩 次
	日期	比例		圖號			




 楊鐵工廠股份有限公司	76.10.29	1:2	APD.B.N.12.P3	0
	日期	比例	圖號	版次
		統一編號	號	

SEA CATALOG-NO	PART-NUMBER	DESCRIPTION	SPECIFICATION	TYPE	QTY	U/M	UNIT	SELECTION
							12 34 56 78 9A BC	
001	SC. M16S50	SCREW	M16*50MM, (S=40MM) P2.0	C	2.000	EA		
002	HW. S-M16	WASHER, SPRING	M16*3#	C	2.000	EA		
003	WASHER	WASHER		C	1.000	EA		
004	PP. C1/4	PLUG	1/4" PT	C	1.000	EA		
005	SC. M12S40	SCREW, SET	M12*40MM P1.75	C	2.000	EA		
006	SC. M16S35	SCREW, SET	M16*35MM P2.0	C	2.000	EA		
007	SC. M16S35	SCREW	M16*35MM P2.0	C	3.000	EA		
008	APD. B. N. 11	HEADSTOCK (CAM)	YAM-850, 1250, 2000, 2500	A	1.000	EA		1
008	APD. B. N. 10	HEADSTOCK (STANDARD)	YAM-850, 1250, 2000, 2500	A	1.000	EA		2
009	APD. B. N. 12	TAILSTOCK	YAM-850, 1250, 2000, 2500	A	1.000	EA		
010	APD. B. N. 09	MACHINE BODY, (1)	YAM-850, 1250, 2000, 2500	A	1.000	EA		





 楊鐵工廠股份有限公司	76.10.31	1:6	APD.B.N.13	0
	日期	比例	統一圖號	圖號
				版次

RON201/PDMPROC YANG WORKS.  
 PARENT PART: APD.B.N.14  
 OP CODE : 2

\*\*\*\*\* PARTS LIST \*\*\*\*\*  
 PARENT DESCRIPTION: FEED GEAR CASE  
 SELECTION :

DATE: 06/20/77  
 MODEL: YAM-950, 1250, 2000, 2500  
 ECDATE: 99/99/98

PAGE:

49

SEQ	CATALOG-NO	PART-NUMBER	DESCRIPTION	SPECIFICATION	TYPE	QTY	U/M	UNIT	12	34	56	78	9A	BC
001		HTP. 7#S0	PIN, TAPER	7#*50M/M	C	1.000	EA							
002		PI. AL5	PIPE, ALUMINIUM	5.0M/M	C	8.000	M							
003	9000716	HGR. S25	RING, OUTER RETAINING	S-25M/M	C	1.000	EA							
004		BR. 6005Z	BEARING, BALL	6005Z	C	1.000	EA							
005		BE 8	SHAFT		C	1.000	EA							
006		BR. 6001Z	BEARING, BALL	6001Z	C	1.000	EA							
007		PI. AL5	PIPE, ALUMINIUM	5.0M/M	C	1.000	M							
008		BE 4	GEAR		C	1.000	EA							
009		6A53Z01	NUT, LOCK		C	2.000	EA							
010		HW. B-30	WASHER, TOOTH LOCK	AW-06 (30M/M)	C	1.000	EA							
011		BE 2A	COLLAR		C	1.000	EA							
012		BR. 6006Z	BEARING	6006Z	C	1.000	EA							
013		BE 2B	COLLAR		C	1.000	EA							
014		RTB. 51106	BEARING	51106	C	2.000	EA							
015		BE 64	SLEEVE		C	1.000	EA							
016		BE 1Z02	SHAFT, OUTPUT		C	1.000	EA							
017		SG. M6S6	SCREW, SET	M6*6MM P1.0	C	1.000	EA							
018		BE13Z01	SHAFT	46.8*203.5	C	1.000	EA							
019		BR. 6005Z	BEARING, BALL	6005Z	C	1.000	EA							
020		BE14	SPACER		C	1.000	EA							
021		BE17Z01	NUT, LOCK		C	1.000	EA							
022	9000556	HW. B-35	WASHER, TOOTH LOCK	AW-07 (35M/M)	C	1.000	EA							
023		BE16	WASHER		C	1.000	EA							
024		H6. C5-11	SPRING		C	1.000	EA							
025		HK. 6S81	KEY	P-4. 5*46*45-5N (C5-11)	C	1.000	EA							
026		BE15Z01	SLEEVE	6 (-2%)-4% *6 (-10%)-20% *81 (-25%)-3	C	1.000	EA							
027		SC. M12S90	SCREW	58. 5*101	C	1.000	EA							
028		BE18	GEAR	M12*90MM P1. 75	C	2.000	EA							
029		BE36	GEAR		C	1.000	EA							
030		BR. 6003Z	WASHER	6003Z	C	1.000	EA							
031	3404001	HSP. 6-36	BEARING	6*36M/M	C	2.000	EA							
032		HTP. 5#38	PIN, TAPER	5#*38M/M	C	1.000	EA							
033		BE 9	COLLAR		C	1.000	EA							
034		BB. 6002Z	BEARING	6002Z	C	1.000	EA							
035		BE10	GEAR		C	1.000	EA							
036		HK. 6S17	KEY	6 (-2%)-4% *6 (-10%)-20% *17 (-15%)-2	C	1.000	EA							
037		BB. 6205Z	BEARING	6205Z	C	1.000	EA							
038		BE42	SHIFTING YOKE		C	1.000	EA							
039		BE43	GEAR		C	1.000	EA							
040		BB. 6001Z	BEARING, BALL	6001Z	C	2.000	EA							
041		SN. M81B	NUT	M8*P1. 25 B=14 H=6. 5	C	1.000	EA							
042		SG. M8S20	SCREW, SET	M8*20MM P1. 25	C	1.000	EA							
043		BB. 6006Z	BEARING	6006Z	C	2.000	EA							
044		HGR. R68	RING, RETAINING	R-68M/M	C	1.000	EA							
045		BE35	GEAR		C	1.000	EA							
046		BE63	GEAR BOX		C	1.000	EA							
047	7M12001	HGR. S30	SHAFT	S-30M/M	C	1.000	EA							
048		BB. 6206Z	RING, OUTER RETAINING	6206Z	C	1.000	EA							

SELECTION

SELECTION 12 34 56 78 9A BC

SEQ	CATALOG-NO	PART-NUMBER	DESCRIPTION	SPECIFICATION	TYPE	QTY	U/M	UNIT
049		8E38	GEAR		C	1.000	EA	
050		BB.6001Z	BEARING, BALL	6001Z	C	1.000	EA	
051		8E37	SHAFT		C	1.000	EA	
052	9000201	SC.M6630	SCREW	M6*30MM P1.25	C	4.000	EA	
053		8E41	COLLAR		C	1.000	EA	
054		BB.6205Z	BEARING	6205Z	C	1.000	EA	
055		HK.7823	KEY	7 (-6%)-10%)*7 (-10%)-20%)*23 (-15%)-	C	1.000	EA	
056		8E29	GEAR		C	1.000	EA	
057		5B296	PIN, LOCATING		C	1.000	EA	
058		8E30	GEAR		C	1.000	EA	
059		HK.6889	KEY	6 (-2%)-4%)*6 (-10%)-20%)*89 (-25%)-3	C	1.000	EA	
060		8E31	GEAR		C	1.000	EA	
061		H6P.6-55	PIN, SPRING	6*55MM OR 6*56MM	C	1.000	EA	
061		HTP.5H57	PIN, TAPER	5H*57MM	C	1.000	EA	
062		8E19	SHAFT		C	1.000	EA	
063		8E32	COVER		C	1.000	EA	
064		BB.6005Z	BEARING, BALL	6005Z	C	1.000	EA	
065		SC.M5810	SCREW	M5*10MM P0.9	C	3.000	EA	
065		SC.M12855	SCREW	M12*55MM P1.75	C	2.000	EA	
067		SR179	WASHER		C	2.000	EA	
068		8E26	GEAR		C	1.000	EA	
068		8E27	GEAR		C	1.000	EA	
069		8E27	GEAR		C	1.000	EA	
069		8E26	GEAR		C	1.000	EA	
070		8E26	GEAR		C	1.000	EA	
070		8E66	GEAR		C	1.000	EA	
071		8E25	GEAR		C	1.000	EA	
072		8E24	GEAR		C	1.000	EA	
073		8E23	GEAR		C	1.000	EA	
074		8E22	SPACER		C	1.000	EA	
075		BB.6005Z	BEARING, BALL	6005Z	C	1.000	EA	
076		8E21	SPACER		C	1.000	EA	
077		8E20	GEAR		C	1.000	EA	
078		8E34	GEAR		C	1.000	EA	
079	9000716	H6R.925	RING, OUTER RETAINING	9-25MM	C	1.000	EA	
080		8E44	SHAFT		C	1.000	EA	
081		8E54	SHAFT		C	1.000	EA	
082		SC.M6616	SCREW	M6*16MM P1.0	C	2.000	EA	
083		8E46	SHIFTER		C	1.000	EA	
084		SC.M6610	SCREW	M6*10MM P0.9	C	4.000	EA	
085		8E48	RACK		C	1.000	EA	
086		8E56	SEAT		C	1.000	EA	
087		8E51	PLATE		C	1.000	EA	
088		8E45	LEVER, SHIFTING		C	1.000	EA	
089		SF4.M6-8	SCREW	M6*8MM P1.0	C	4.000	EA	
090		SC.M6616	SCREW	M6*16MM P1.0	C	8.000	EA	
091		8E55	SEAT, GEAR BOX		C	1.000	EA	
092	3343000	H6R.11/4	BALL, STEEL	1/4" +-0 AFPM A GRADE 25	C	2.000	EA	
093		5E69	SLEEVE, PIN		C	2.000	EA	

1 2 1 2 1 2

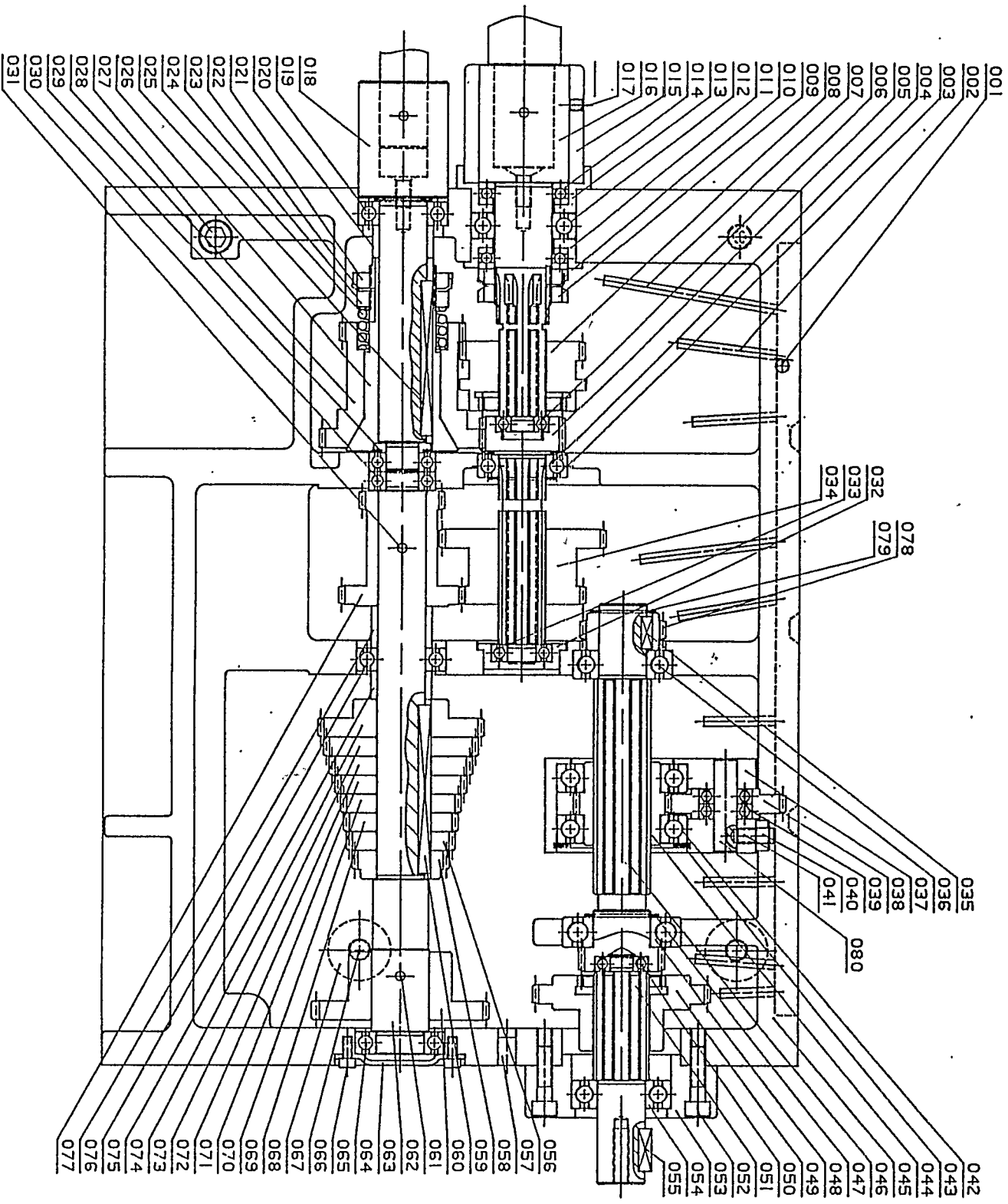
SEQ	CATALOG-NO	PART-NUMBER	DESCRIPTION	SPECIFICATION	TYPE	QTY	U/M	UNIT	SELECTION
094		H8, CS-22	SPRING	P-1.0*6.3*13.5-6N (CS-22)	C	2.000	EA		
095		QE56	SHIFTER		C	1.000	EA		
096		SS, M6S16	SCREW, SET	M6*16MM P1.0	C	1.000	EA		
097		SC, M6S16	SCREW	M6*16MM P1.0	C	2.000	EA		
098		QE53	BUSHING		C	1.000	EA		
099		SC, M6S20	SCREW	M6*20MM P0.9	C	4.000	EA		
100		QE49Z01	SEAT, SLIDE		C	1.000	EA		
101		QE47	PLATE, SLIDE		C	1.000	EA		
102		QE61	SEAT, LEVER		A	1.000	EA		
103		HSP, S-40	PIN, SPRING	S*40M/M	C	1.000	EA		
104		SS, M6S6	SCREW, SET	M6*6MM P1.0	C	1.000	EA		
105		QE52Z01	DOG, SHIFTING		C	1.000	EA		
106		HSP, S-16	PIN, SPRING	S*16M/M	C	2.000	EA		
107		QE50-1	SLIDE		C	1.000	EA		
107		QE50-2	SLIDE		C	1.000	EA		
108		QE62	PIN		C	1.000	EA		
109		S44S-1201	LEVER		C	1.000	EA		
110		LZ, KNOB-B2Z01	HANDLE	BLACK M10*1.5 FOR: S50R&S50R&G27	C	1.000	EA		
111		SS, M6S8	SCREW, SET	M6*8MM P1.0	C	4.000	EA		
112		G20001	RIVET	2*7M/M	C	2.000	EA		
113		RPS, 001	PLATE, NAME	L-0	C	1.000	EA		
114		SE SCE01	SEAT, LEVER		C	1.000	EA		
115		S44S-1201	LEVER		C	1.000	EA		
116		LZ, KNOB-B2Z01	HANDLE	BLACK M10*1.5 FOR: S50R&S50R&G27	C	1.000	EA		
117		SEVS	PIN, LOCATING		C	2.000	EA		
118		LZ, KNOB-B1Z01	HANDLE GRIP	BLACK THREAD=M10*1.5 FOR: SE77R&R74	C	2.000	EA		
119		S44S-1201	LEVER		C	2.000	EA		
120		SE SBZ01	COVER		C	1.000	EA		
121		SE SAZ01	COVER		C	1.000	EA		
122		QE64	COVER		C	1.000	EA		
123		GR+, M6-8	COVER	M6*8MM P1.0	C	0.000	EA		
124		QE74	COVER		C	0.000	EA		
125	3343000	H8B, I1/4	BALL, STEEL	1/4" +-0 AFBMA GRADE 25	C	3.000	EA		
126		H8, CS-22	SPRING	P-1.0*6.3*13.5-6N (CS-22)	C	3.000	EA		
127		SE69	SLEEVE, PIN		C	3.000	EA		
128		SS, M6S8	SCREW, SET	M6*8MM P1.0	C	2.000	EA		
129		HTP, 3#32	PIN, TAPER	3#*32M/M	C	2.000	EA		
130		QE 7	DOG, SHIFTING		C	1.000	EA		
131		QE 6	BLOCK, SHIFTING		C	1.000	EA		
132		QE12	DOG, SHIFTING		C	1.000	EA		
133		QE11	BLOCK, SHIFTING		C	2.000	EA		
134		SS, M6S6	SCREW, SET	M6*6MM P1.0	C	1.000	EA		
135		QE40	DOG, SHIFTING		C	1.000	EA		
136		HSP, S-25	PIN, SPRING	S*25M/M	C	1.000	EA		
137		SC, M6S35	SCREW	M6*35MM P1.0	C	2.000	EA		
138		QE65	COVER, GEAR BOX		C	1.000	EA		
139		SC, M6S25	SCREW	M6*25MM P1.0	C	2.000	EA		
140		LZ, OC-3/4	COVER, PLASTIC OIL	3/4" UNF	C	1.000	EA		
141		SB305	STRAINER		C	1.000	EA		


BM1201/PDMPROC YANG WORKS.  
PARENT PART: APD.B.N.14  
OP CODE : 2

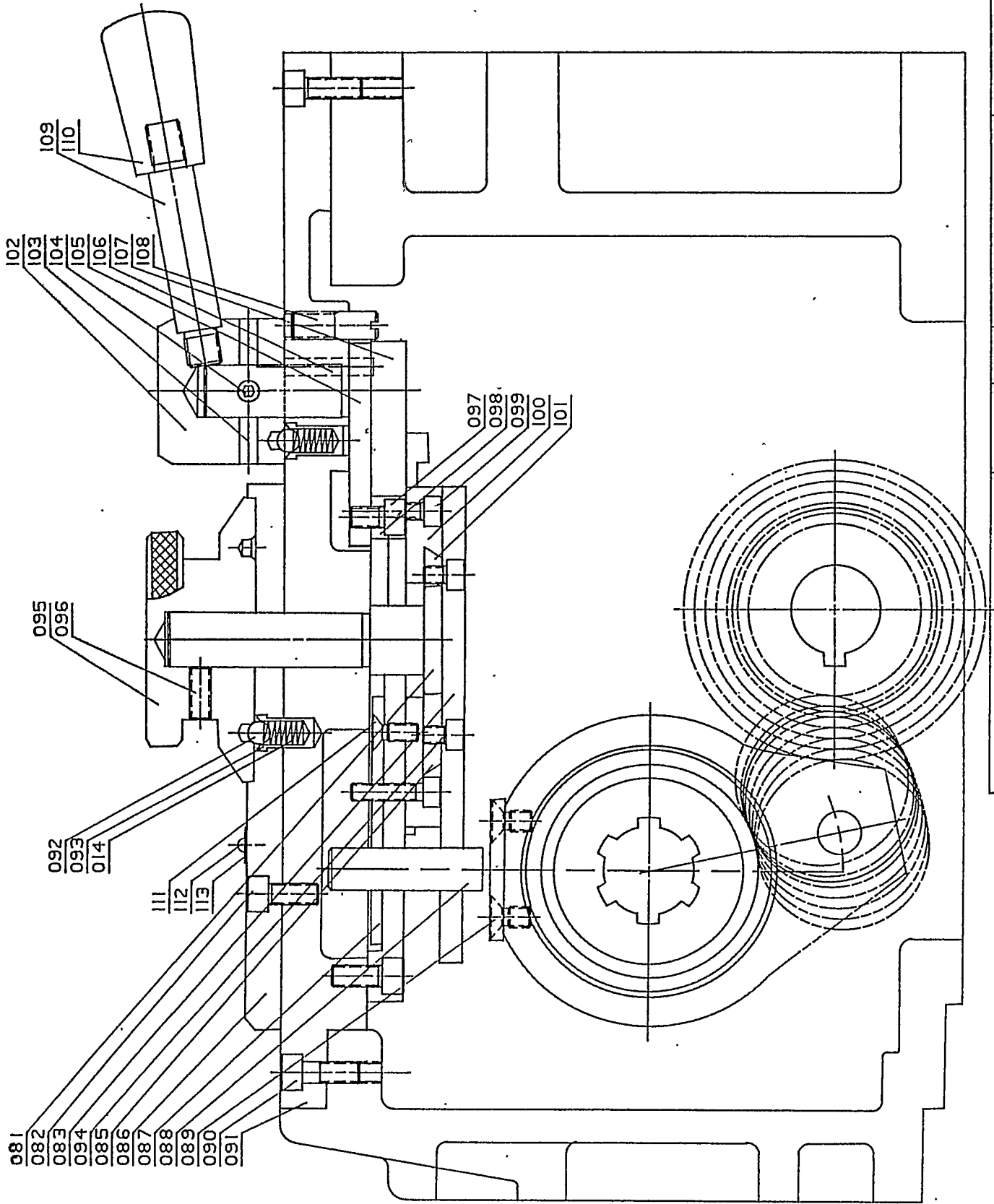
\*\*\*\*\* PARTS LIST \*\*\*\*\*  
PARENT DESCRIPTION: FEED GEAR CASE  
SELECTION :

DATE: 06/20/77  
MODEL: YAM-850,1250,2000,2500  
ECDATE: 99/99/98

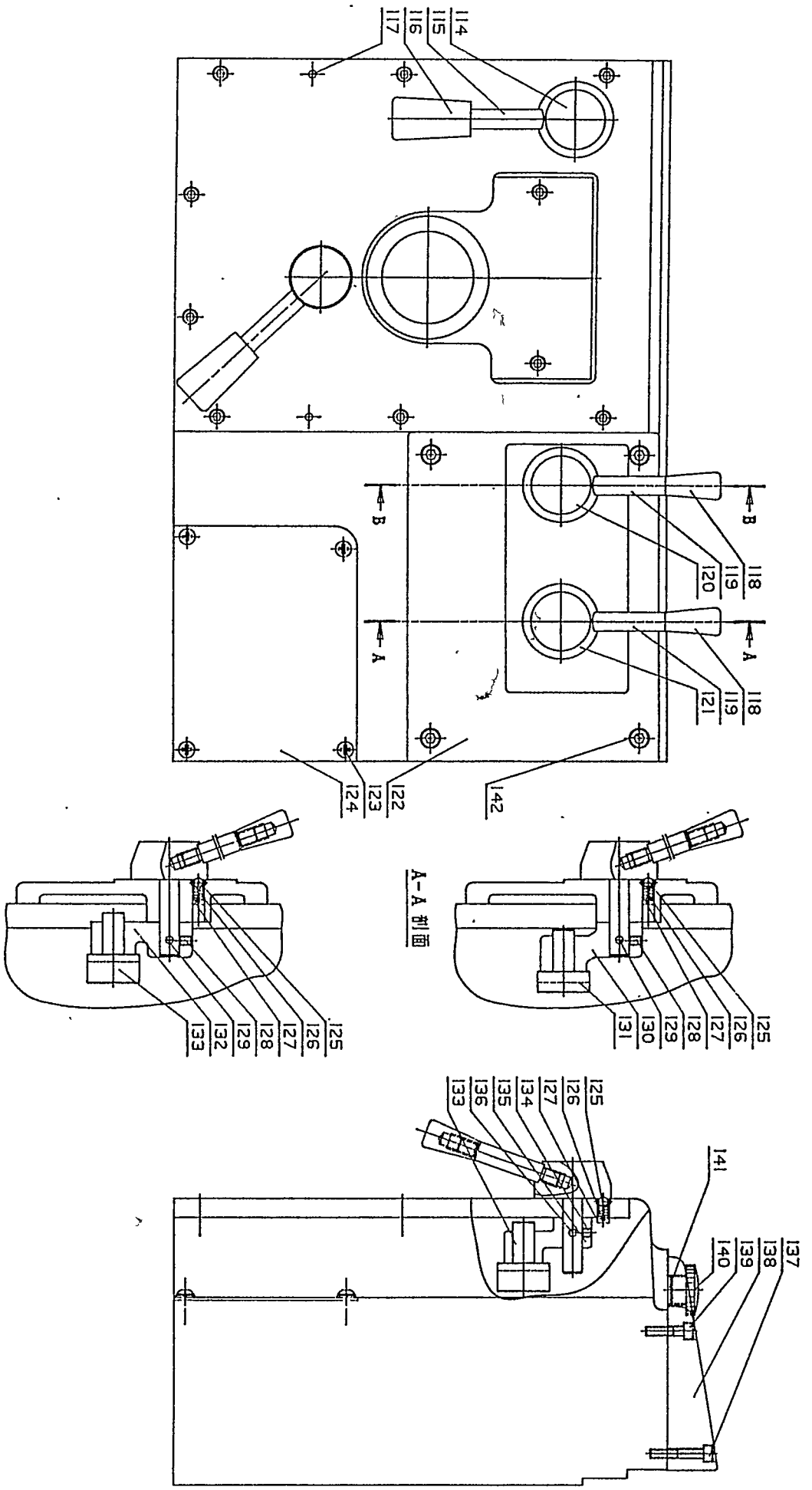
SEQ CATALOG-NO	PART-NUMBER	DESCRIPTION	SPECIFICATION	TYPE	QTY U/M	UNIT	12	34	56	78	9A	PC	SELECTION
142 9000533	SC.M8S25	SCREW	M8*25MM P1.25	C	4.000	EA							




 楊鐵工廠股份有限公司	76.11.20	1:2	第一號	APD.B.N.14.P1	0
	日期	比例		圖號	



	楊鐵工廠股份有限公司	76.10.31	1:1	APD.B.N.14.P2	0
	日期	比例	圖號	版次	

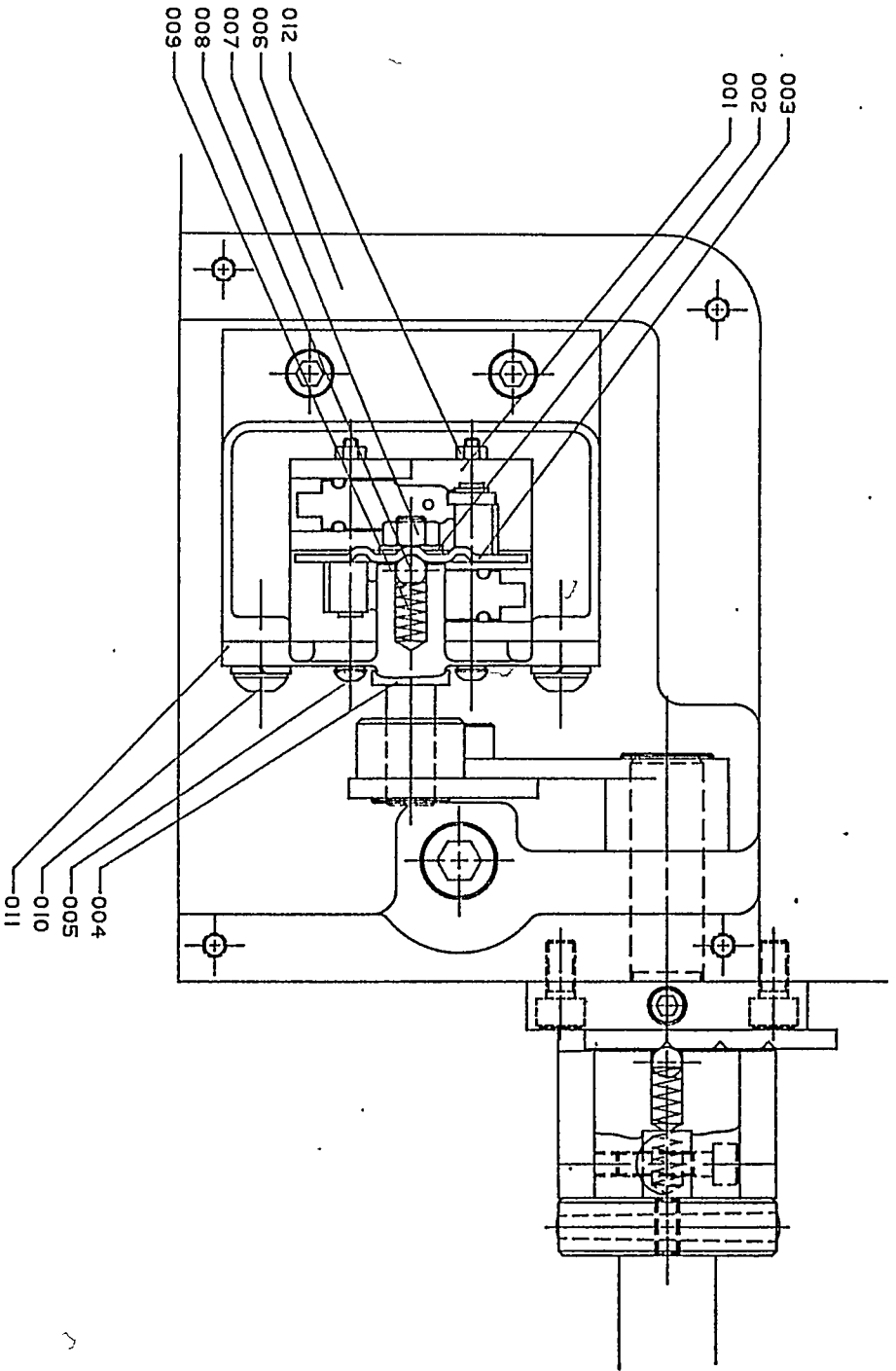



 楊鐵工廠股份有限公司		76.10.31	1:2.5	统一编号	APD.B.N.14.P3	0
日期	比例	统一编号	号	号	版次	



SEQ CATALOG-NO PART-NUMBER DESCRIPTION SPECIFICATION TYPE QTY U/M UNIT 12 34 56 78 9A BC SELECTION

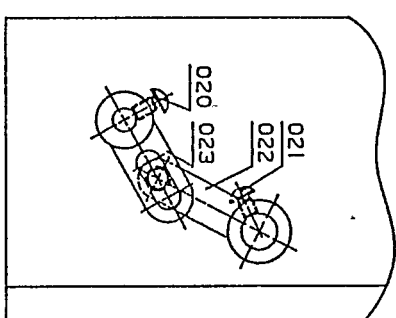
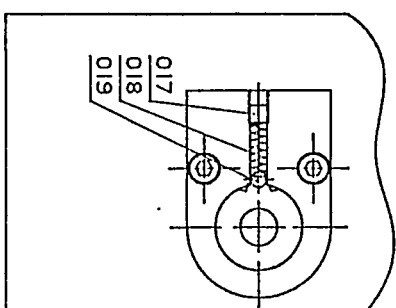
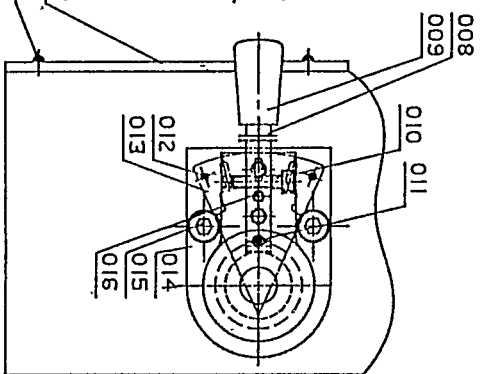
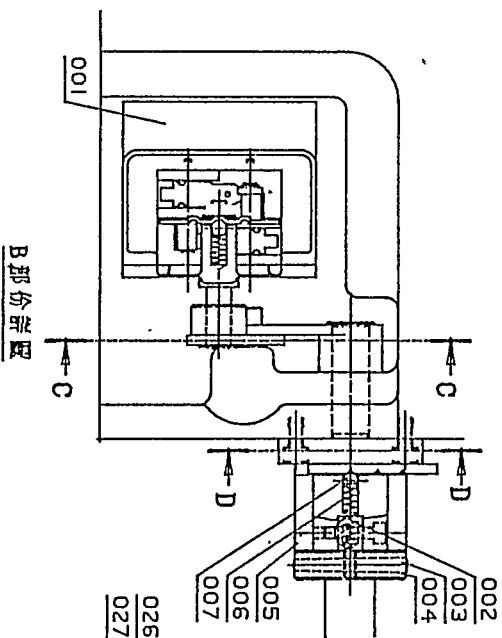
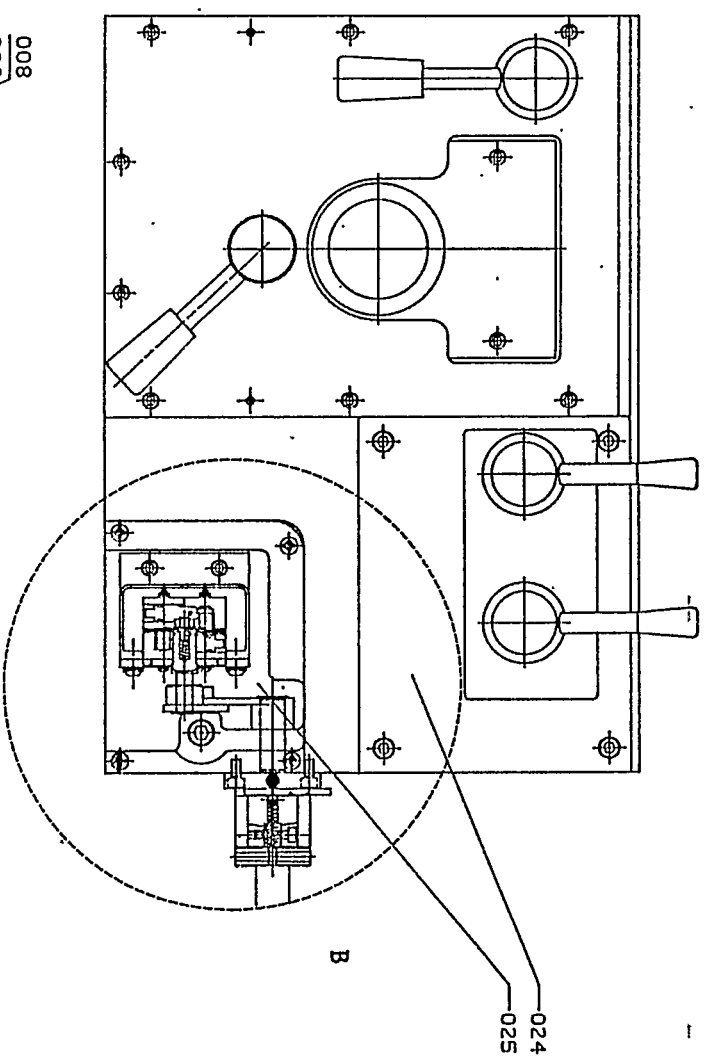
001	ESL.2	SWITCH, MICRO	10MRON1Z-156W22-B (YAMATAKE)BZ-2RW	C	1.000	EA							
002	HW.M6	WASHER, FLATE	M6 (O.D=11.5MM T=1.6MM)	C	1.000	KG							
003	SE71	NOTCH BOARD		C	1.000	EA							
004	SE70	SHAFT, SWITCHING		C	1.000	EA							
005	SRT.M6-12	SCREW	M6*12MM P1.0	C	2.000	EA							
006	SE72	BOX, SWITCH		C	1.000	EA							
007	SN.M6	NUT	M6*P1.0	C	1.000	EA							
008	H8B.11/4	BALL, STEEL	1/4" +-0 AFBMA GRADE 25	C	1.000	EA							
009	H8.C5-12	SPRING	P-1#6*15-7N (C5-12)	C	1.000	EA							
010	SC.M6S12	SCREW	M6*12MM P1.0	C	1.000	EA							
011	SE73	SEAT, SWITCH BOX		C	1.000	EA							
012	SN.M4	NUT	M4*P0.75	C	2.000	EA							




	杨铁工廠股份有限公司			76.11.02	1:1		APD.B.N.15	00
日期	比例	统一编号	号	号	号	号	号	版次

SEQ CATALOG-NO PART-NUMBER DESCRIPTION SPECIFICATION TYPE QTY U/M UNIT SELECTION

SEQ	CATALOG-NO	PART-NUMBER	DESCRIPTION	SPECIFICATION	TYPE	QTY	U/M	UNIT	SELECTION
001		SC. M6S12	SCREW	M6*12MM P1.0	C	2.000	EA		
002		HS. CS-12	SPRING	P-1*6*15-7N (CS-12)	C	1.000	EA		
003		HSP. 5-45	PIN, SPRING	5*45M/M	C	1.000	EA		
004		8B265	SHAFT		C	1.000	EA		
005		8B262	SEAT, LEVER		C	1.000	EA		
006		HS. CS-12	SPRING	P-1*6*15-7N (CS-12)	C	1.000	EA		
007	3343000	HSB. 11/4	BALL, STEEL	1/4" +-0 AFBMA GRADE 25	C	1.000	EA		
008		8B264-1701	LEVER		C	1.000	EA		
009		LZ. KNOB-R2Z01	KNOB	RED THREAD=M10*1.5	C	1.000	EA		
010		SC. M5S25	SCREW	M5*25MM P0.9	C	1.000	EA		
011		SS. M5S8	SCREW, SET	M5*8MM P0.9	C	1.000	EA		
012		HSP. 5-16	PIN, SPRING	S+16M/M	C	1.000	EA		
013		5B257Z01	GROOVED SEAT		C	1.000	EA		
014		8B266	BALL SEAT		C	1.000	EA		
015		SC. M6S12	SCREW	M6*12MM P1.0	C	2.000	EA		
016		5B253	PIN		C	1.000	EA		
017		SS. M8S8	SCREW, SET	M8*8MM P1.25	C	1.000	EA		
018		HS. CS-07	SPRING	P-1*6*30-12N (CS-07)	C	1.000	EA		
019	3343000	HSB. 11/4	BALL, STEEL	1/4" +-0 AFBMA GRADE 25	C	1.000	EA		
020		SC. M6S12	SCREW	M6*12MM P1.0	C	1.000	EA		
021		SC. M6S12	SCREW	M6*12MM P1.0	C	1.000	EA		
022		8E69	ASSEMBLE LINKAGE		C	1.000	EA		
023		8E68	ASSEMBLE LINKAGE		C	1.000	EA		
024		APD. B. N. 14	FEED GEAR CASE	YAM-850, 1250, 2000, 2500	A	1.000	EA		
025		APD. B. N. 15	POWER SUPPLY	YAM-850, 1250, 2000, 2500	A	1.000	EA		
026		SR+. M6-8	SCREW	M6*8MM P1.0	C	4.000	EA		
027		SE74	COVER		C	1.000	EA		



 楊鐵工廠股份有限公司	77.03.28	1:6	統一編號	APD.B.N.16	圖號	版次
	日期	比例				

SEQ CATALOG-NO PART-NUMBER DESCRIPTION SPECIFICATION TYPE QTY U/M UNIT 12 34 56 78 9A BC SELECTION

SEQ	CATALOG-NO	PART-NUMBER	DESCRIPTION	SPECIFICATION	TYPE	QTY	U/M	UNIT	12	34	56	78	9A	BC	SELECTION
001		BOR. 19-2.5	O-RING	19*24*2.5	C	1.000	EA								
002	8C24Z01		NUT, LOCK		C	1.000	EA								
003	8C25Z01		PUMP		C	1.000	EA								
004	SE253		PIN		C	1.000	EA								
005	PI. N4		HOSE, NYLON	4. 0M/M	C	1.000	M								
006	8C26		PISTON, PUMP	P-1.25*14*30-7N (C5-10)	C	1.000	EA								
007	HS. C5-10		SPRING	5/16"	C	1.000	EA								
008	90000016		BALL, STEEL	WFD-4	C	1.000	EA								
009	PF. PD4		FITTING	WPA-4	C	1.000	EA								
010	PF. PA4		ADAPTER	WPB-4	C	1.000	EA								
011	PF. PB4		SLEEVE	3/8"PT	C	1.000	EA								
012	PF. SS/8		FLUG, OIL	1/4" * 3/16" (D) MUST +0.05 TO +0.15	C	1.000	EA								
013	PG. S1/4*3/16		OIL CUP	M5*8MM P0.9	C	3.000	EA								
014	SR+. M5-8		SCREW	M6*8MM P1.0	C	1.000	EA								
015	SD47		STOPPER	5*20M/M	C	1.000	EA								
016	SR+. M6-8		SCREW	KEY 9.7*7.5*5.5 M/M ØØØ1	C	2.000	EA								
017	SD42		PLATE, GUARD	M8*16MM P1.25	C	1.000	EA								
018	HSP. 5-20		PIN, SPRING	3/4" UNF	C	1.000	EA								
019	SD45		PLATE	D32 D29 R12.5 FOR: 3A, HS, H64, OK (5A)	C	1.000	EA								
020	LP. ØØØ1		SCREW	7 (-2%)-4% *7 (-10%)-20% *25 (-15%)-2	C	1.000	EA								
021	SC. M6S16		SEAT, AUTO-STOP	M10*P1.5 (SD7-3 ØØØ6-3 HL-P46 G27&)	C	1.000	EA								
022	SD48		SEAT, PLASTIC OIL	M10P1.5 (SD7-2 ØØØ6-2 HL-P45 G27&G)	C	1.000	EA								
023	LZ. OC-3/4		COVER, PLASTIC OIL	SD7-1&ØØØ6-1	C	1.000	EA								
024	LZ. OG-D		GAUGE, OIL		C	1.000	EA								
025	ØC 2		COVER		C	1.000	EA								
026	ØC3ØL		APRON		C	1.000	EA								
027	HK. 7Ø25		KEY		C	1.000	EA								
028	ØB 84M		RING, GRADUATED		C	1.000	EA								
028	ØB 84E		RING, GRADUATED		C	1.000	EA								
029	SN. SD7-3		NUT, SPECIAL		C	1.000	EA								
030	SZ. SD7-2		SCREW		C	1.000	EA								
031	LZ. KNOB-H		HANDLE		C	1.000	EA								
032	ØB 85		HAND WHEEL		C	1.000	EA								
033	ØB 83		COVER		C	1.000	EA								
034	ØC 3		SHAFT		C	1.000	EA								
035	SC. M10Ø25		SCREW	M10*25-25MM P1.5	C	1.000	EA								
036	3343000		BALL, STEEL	1/4" +-0 AFBMA GRADE 25	C	1.000	EA								
037	HØB. 11/4		SPRING	P-1*6*15-7N (C5-12)	C	2.000	EA								
038	HS. C5-12		SCREW	M6*45MM P1.0	C	1.000	EA								
038	SC. M6Ø45		SEAT, SHAFT		C	1.000	EA								
039	ØC 1201		GEAR		C	1.000	EA								
040	ØC 4		KEY		C	1.000	EA								
041	HK. 7Ø23		SHAFT	7 (-6%)-10% *17 (-10%)-20% *23 (-15%)-	C	1.000	EA								
042	ØC 6		COVER		C	1.000	EA								
043	ØC35LZ01		GEAR, CLUTCH		C	1.000	EA								
044	ØC10		GEAR, CLUTCH		C	1.000	EA								
045	ØC 9		COVER		C	1.000	EA								
046	SD 6		SHAFT, LEVER		C	1.000	EA								
047	SDØØLZ01		BLOCK, LINK		C	1.000	EA								
048															

1  
2

SEG	CATALOG-NO	PART-NUMBER	DESCRIPTION	SPECIFICATION	TYPE	QTY	U/M	UNIT	12	34	56	78	9A	BC
049		SD31L	SEAT, LEVER		C	1.000	EA							
050		9C.M8940	SCREW	M8*40MM P1.25	C	3.000	EA							
051		SS.M898	SCREW, SET	M8*6MM P1.25	C	1.000	EA							
052		BC 7	SHAFT, CLUCTH		C	1.000	EA							
053		BC20Z01	GEAR, BEVEL		C	1.000	EA							
054		HK.7532	KEY	7(-2%)-4%*7(-10%)-20%*32(-10%)-2	C	1.000	EA							
055		BC44	COVER		C	1.000	EA							
056		9C.M8920	SCREW	M8*20MM P1.25	C	2.000	EA							
060		BC18	GEAR, SECTOR		C	1.000	EA							
061		9C.M6910	SCREW	M6*10MM P1.0	C	4.000	EA							
062		B09.VC24-36	SEAL, OIL	VC24*36*4	C	1.000	EA							
063		BC17	SHAFT		C	1.000	EA							
064		SS.M696	SCREW, SET	M6*6MM P1.0	C	1.000	EA							
065		BC19	GEAR		C	1.000	EA							
066		HK.6620	KEY	6(-1%)-2%*6(-10%)-20%*20(-15%)-2	C	1.000	EA							
067		BC11	GEAR, CLUCTH		C	1.000	EA							
068		BC12	PIN		C	4.000	EA							
069		HSP.5-30	PIN, SPRING	5*30MM/M	C	1.000	EA							
070		9C.M8318	SCREW	M8*18MM P1.25	C	5.000	EA							
071		SD21Z01	LEVER SHANK		C	1.000	EA							
072		LZ.KNOB-B2Z01	HANDLE	BLACK M10*1.5 FOR:SS0&850&627	C	1.000	EA							
073		SS.M10925	SCREW, SET	M10*25MM P1.5	C	1.000	EA							
074		SN.M101	NUT	M10*P1.5 B=14 H=8	C	1.000	EA							
075		H9.C5-22	SPRING	P-1.0*6.3*13.5-6N (C5-22)	C	1.000	EA							
076		SD43	PIN		C	1.000	EA							
077		SR+.M4-8	SCREW	M4*8MM P0.7	C	4.000	EA							
078		BC22	PIN		C	2.000	EA							
079		BC23	SPINDLE, APRON		C	1.000	EA							
080	9000016	HSB.15/16	BALL, STEEL	5/16"	C	1.000	EA							
081		H9.C5-19	SPRING	P-1*8*60-15N (C5-19)	C	1.000	EA							
082		SS.M10940	SCREW, SET	M10*40MM P1.5	C	1.000	EA							
083		BC 8	LEVER		C	1.000	EA							
094		SN.M101	NUT	M10*P1.5 B=14 H=8	C	1.000	EA							
095		HSP.3-28	PIN, SPRING	3*28MM/M	C	1.000	EA							
096	9000798	SF+.M8-12	SCREW	M8*12MM P1.25	C	2.000	EA							
097		BC31L	PLATE		C	1.000	EA							
098		BC30L-1	SEAT, NUT		C	1.000	EA							
098		BC30L-2	SEAT, NUT		C	1.000	EA							
098		BC30L-2	SEAT, NUT		C	1.000	EA							
098		BC30L-2	SEAT, NUT		C	1.000	EA							
098		BC30L-2	SEAT, NUT		C	1.000	EA							
098		SR+.M6-12	SCREW		C	8.000	EA							
098		BC32-1M	NUT, HALF	M6*12MM P1.0	C	1.000	EA							
090	8108000	BC32-1E	NUT, HALF		C	1.000	EA							
090		BC32-2M	NUT, HALF		C	1.000	EA							
090		BC32-2E	NUT, HALF		C	1.000	EA							
090		BC32-2M	NUT, HALF		C	1.000	EA							
090		BC32-2E	NUT, HALF		C	1.000	EA							
090		BC32-2M	NUT, HALF		C	1.000	EA							
090		BC32-2E	NUT, HALF		C	1.000	EA							

SELECTION

RON201/PDMPROC YANG WORKS.  
PARENT PART: APD.B.N.17  
OP CODE : 2

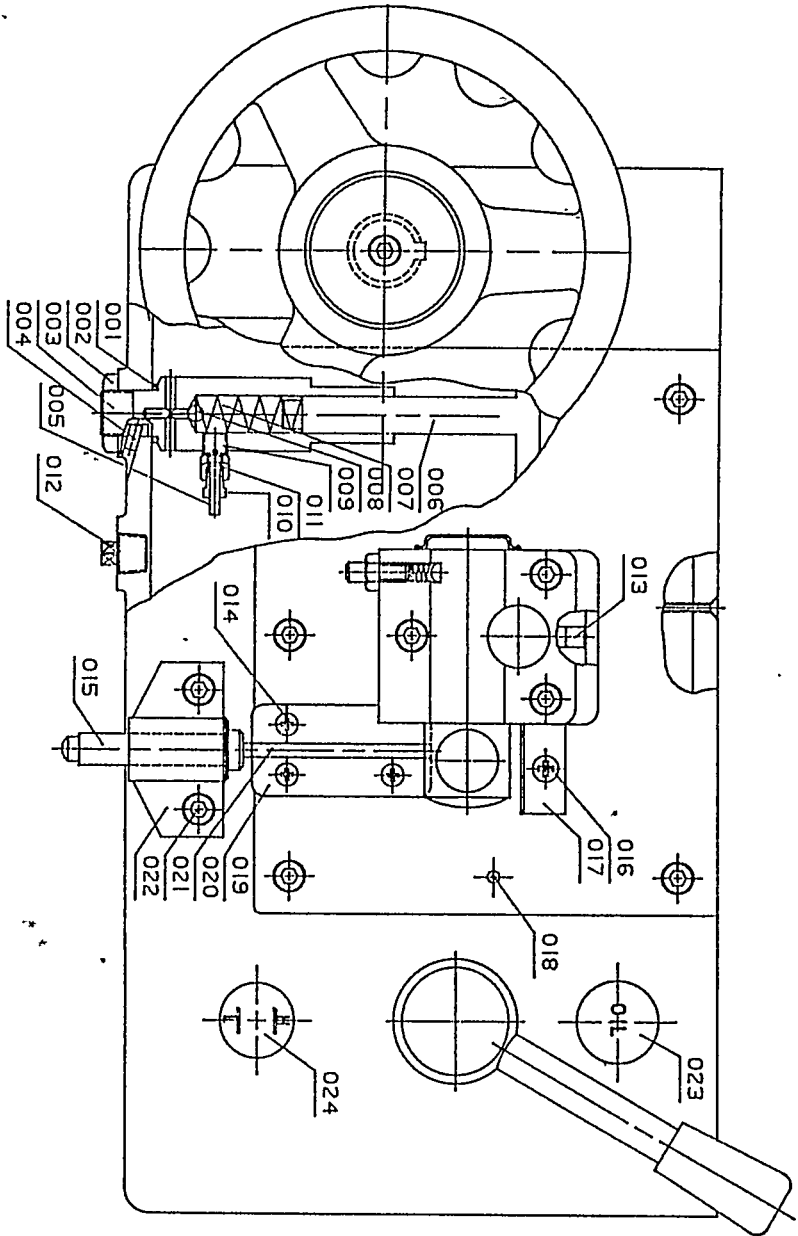
\*\*\*\*\* PARTS LIST \*\*\*\*\*  
PARENT DESCRIPTION: APRON (LEFT)  
SELECTION :


DATE: 06/20/77  
MODEL: YAM-850, 1250, 2000, 2500  
ECCDATE: 99/99/99

PAGE:

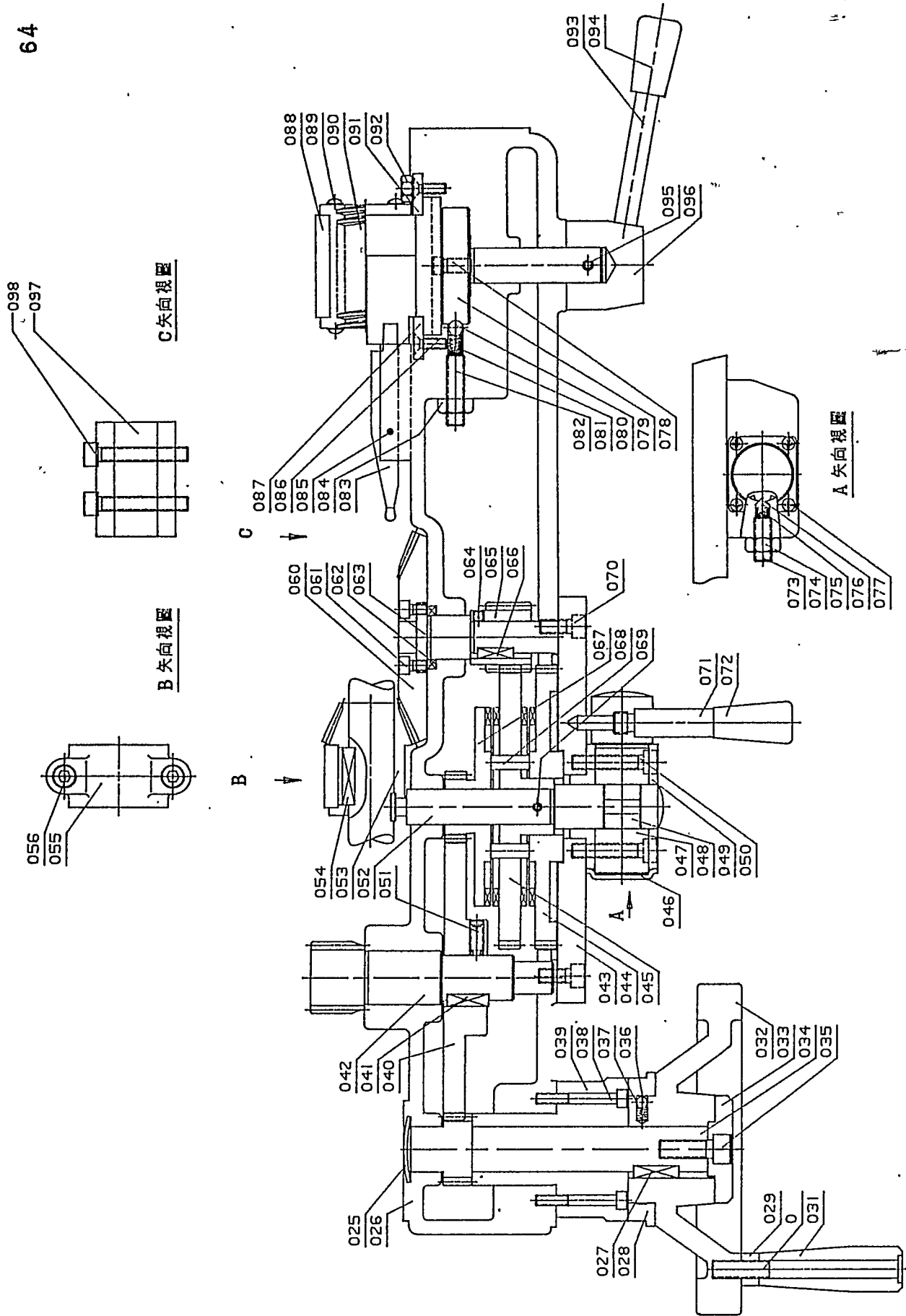
SELECTION  
12 34 56 78 9A BC


SEQ	CATALOG-NO	PART-NUMBER	DESCRIPTION	SPECIFICATION	TYPE	QTY	U/M	UNIT	12	34	56	78	9A	BC
090		8C32-2E	NUT, HALF		C	1.000	EA						4	2
090		8C32-2M	NUT, HALF		C	1.000	EA						5	1
090		8C32-2E	NUT, HALF		C	1.000	EA						5	2
091		8C31R	PLATE		C	1.000	EA							
092		SH.M8-15	SCREW	(14) M8*15MM P1.25	C	4.000	EA							
093		8C21-1Z01	LEVER		C	1.000	EA							
094		LZ.KNOB-B3Z01	HANDLE GRIP		C	1.000	EA							
095		HSP.5-50	PIN, SPRING	M12*1.75	C	1.000	EA							
096		8C21Z01	SEAT, LEVER	5*50MM/M	C	1.000	EA							
097		8B 80	SEAT, LEAD SCREW		C	1.000	EA						2	
097		8B 80	SEAT, LEAD SCREW		C	1.000	EA						3	
097		8B 80	SEAT, LEAD SCREW		C	1.000	EA						4	
097		8B 80	SEAT, LEAD SCREW		C	1.000	EA						5	
098		SC.M8665	SCREW	M8*65MM P1.25	C	2.000	EA							



 棉铁工廠股份有限公司	76.11.03	1:2	統一 號 號	APD.B.N.17.P1 圖 號	版 次
	日期	比例			





 楊鐵工廠股份有限公司	日期	76.11.03	比例	1:2	统一编号	图号	APD.B.N.17.P2	版本	0
	比例	1:2	统一编号	图号	APD.B.N.17.P2	版本	0		

SEQ	CATALOG-NO	PART-NUMBER	DESCRIPTION	SPECIFICATION	TYPE	QTY	U/M	UNIT	12	34	56	78	9A	BC
001		L2. 06-D	GAUGE, OIL	D32 D29 B12.5 FOR: 3A, HS, HS4, CK (5A)	C	1.000	EA							
002		L2. 0C-3/4	COVER, PLASTIC OIL	3/4" UNF	C	1.000	EA							
003		HSP. S-20	PIN, SPRING	5*20M/M	C	1.000	EA							
004	9001014	SR+. M6-10	SCREW	M6*10MM P1.0	C	1.000	EA							
005		SD42	PLATE, GUARD		C	1.000	EA							
006		SD45	PLATE		C	1.000	EA							
007		LP. 8B81	SCREW	KEY 9.7*7.5*5.5 M/M 8B81	C	1.000	EA							
008		SC. M6925	SCREW	M6*25MM P1.0	C	2.000	EA							
009		SD48	SEAT, AUTO-STOP		C	1.000	EA							
010		PG. S1/4*3/16	OIL CUP	1/4" *3/16" ('D' MUST +0.05 TO +0.15	C	1.000	EA							
011		SR+. M5-8	SCREW	M5*8MM P0.9	C	3.000	EA							
012		SD47	STOPPER		C	1.000	EA							
014		SC26	PISTON, PUMP		A	1.000	EA							
015		H6. C5-10	SPRING	P-1.25*14*30-7N (C5-10)	C	1.000	EA							
016	9000016	H6B. IS/16	BALL, STEEL	5/16"	C	1.000	EA							
017		PF. PD4	FITTING	WPD-4	C	1.000	EA							
018		PF. PD4	ADAPTER	WPA-4	C	1.000	EA							
019		PI. N4	HOSE, NYLON	4.0M/M	C	1.000	M							
020		PP. S3/8	PLUG, OIL	3/8" PT	C	1.000	EA							
021		BOR. 19-2. 5	O-RING	19*24*2.5	C	1.000	EA							
022		SC24Z01	NUT, LOCK		C	1.000	EA							
023		SC25Z01	PUMP		C	1.000	EA							
024		5B253	PIN		C	1.000	EA							
025		SC21-1Z01	LEVER		C	1.000	EA							
026		L2. KNOB-B3Z01	HANDLE GRIP	M12*1.75	C	1.000	EA							
027		SC30R-1	SEAT, NUT		C	1.000	EA							1
027		SC30R-2	HOUSING, LEAD SCREW		C	1.000	EA							2
027		SC30R-2	HOUSING, LEAD SCREW		C	1.000	EA							3
027		SC30R-2	HOUSING, LEAD SCREW		C	1.000	EA							4
027		SC30R-2	HOUSING, LEAD SCREW		C	1.000	EA							5
028	8106000	SR+. M6-12	SCREW	M6*12MM P1.0	C	4.000	EA							
029		SC32-1M	NUT, HALF		C	1.000	EA							1
029		SC32-1E	NUT, HALF		C	1.000	EA							2
029		SC32-2M	NUT, HALF		C	1.000	EA							1
029		SC32-2E	NUT, HALF		C	1.000	EA							2
029		SC32-2M	NUT, HALF		C	1.000	EA							1
029		SC32-2E	NUT, HALF		C	1.000	EA							2
029		SC32-2M	NUT, HALF		C	1.000	EA							3
029		SC32-2E	NUT, HALF		C	1.000	EA							4
029		SC32-2M	NUT, HALF		C	1.000	EA							1
029		SC32-2E	NUT, HALF		C	1.000	EA							2
029		SC32-2M	NUT, HALF		C	1.000	EA							3
029		SC32-2E	NUT, HALF		C	1.000	EA							4
029		SC32-2M	NUT, HALF		C	1.000	EA							5
029		SC32-2E	NUT, HALF		C	1.000	EA							2
030		SC31L	PLATE		C	1.000	EA							
031		SH. M8-15	SCREW	(14) M8*15MM P1.25	C	4.000	EA							
032		HSP. S-50	PIN, SPRING	S*50M/M	C	1.000	EA							
033		SC21Z01	SEAT, LEVER		C	1.000	EA							
034		SC22	PIN		C	2.000	EA							
035		SC23	PIN		C	1.000	EA							
036		PG. S5/16	SPINDLE, APRON	5/16" ('D' MUST +0.05 TO 0.15MM)	C	1.000	EA							
037		H6. C5-19	BALL, COPPER	P-1+8*60-15N (C5-19)	C	1.000	EA							

RQM201/PDMPROC YANG WORKS.  
 PARENT PART: APD. B. N. 18  
 OP CODE : 2

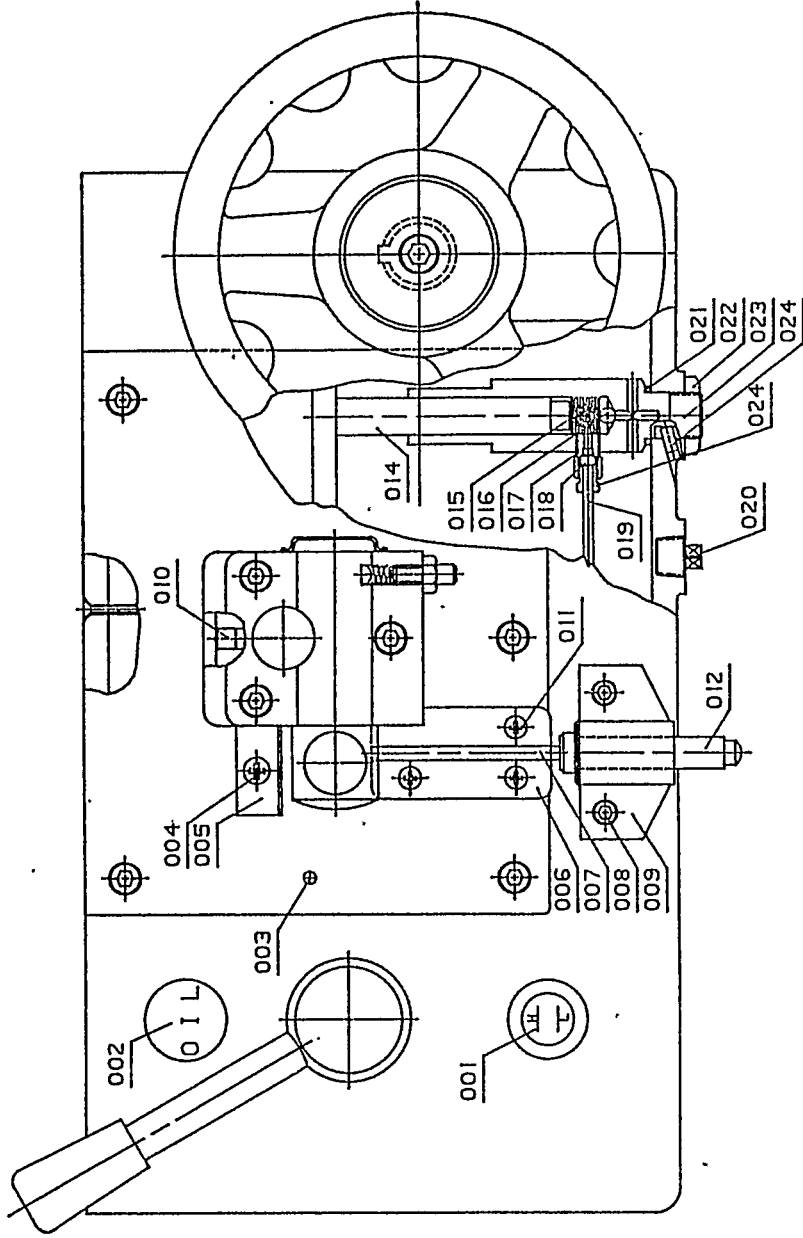
\*\*\*\*\* PARTS LIST \*\*\*\*\*  
 PARENT DESCRIPTION: APRON (RIGHT)  
 SELECTION


DATE: 06/20/77  
 MODEL: YAM-850, 1250, 2000, 2500  
 EC DATE: 99/99/98

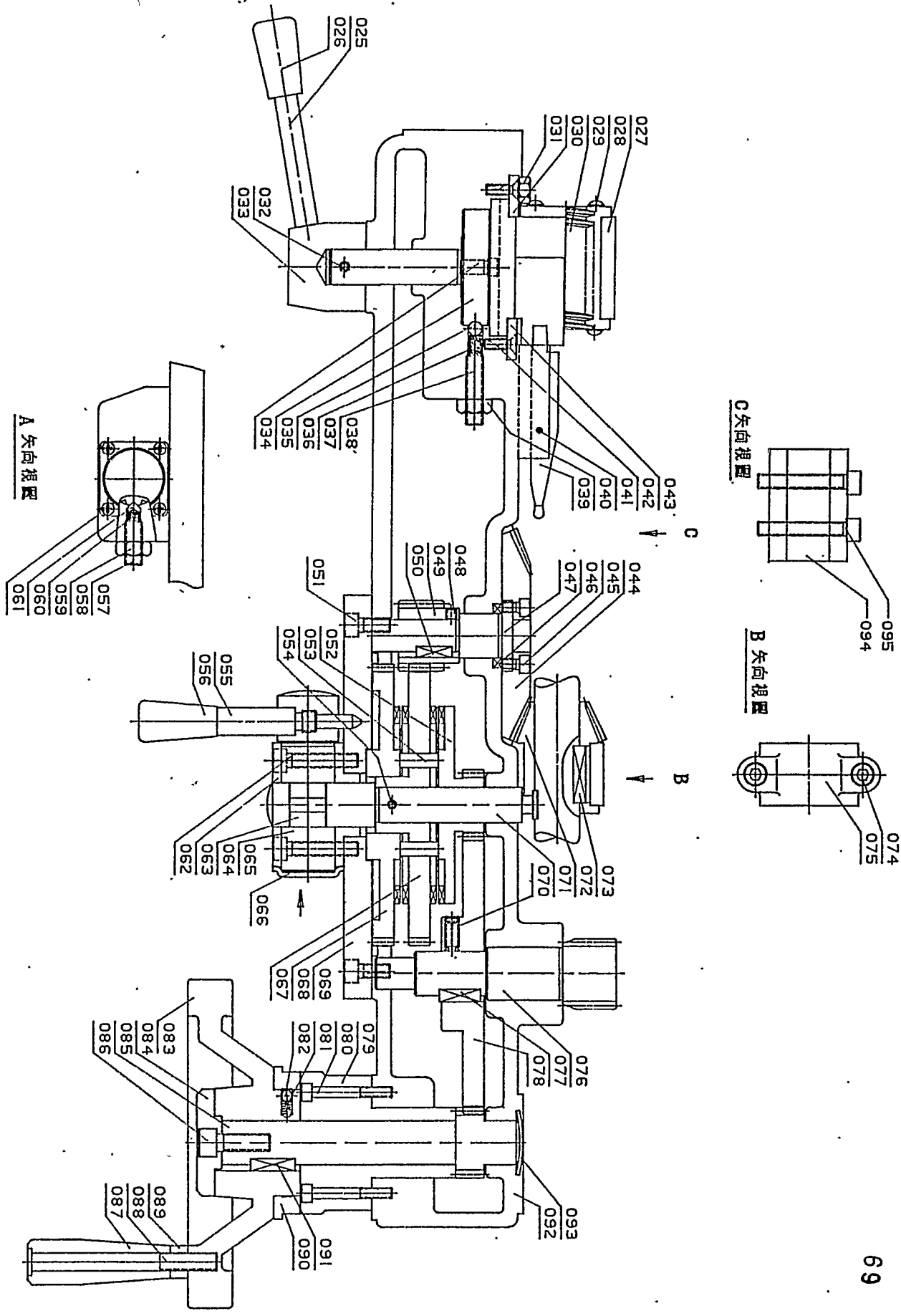
SELECTION  
 UNIT 12 34 56 78 9A BC


SEQ	CATALOG-NO	PART-NUMBER	DESCRIPTION	SPECIFICATION	TYPE	QTY	U/M	UNIT
038		SS. M10940	SCREW, SET	M10*40MM P1.5	C	1.000	EA	
039		8C 8	LEVER		C	1.000	EA	
040		SN. M101	NUJ	M10*P1.5 B=14 H=8	C	1.000	EA	
041		HSP. 3-28	PIN, SPRING	S*28M/M	C	1.000	EA	
042	9000728	SF+. M8-12	SCREW	M8*12MM P1.25	C	2.000	EA	
043		8C31R	PLATE		C	1.000	EA	
044		8C18	GEAR, SECTOR		C	1.000	EA	
045		SC. M6S10	SCREW	M6*10MM P1.0	C	4.000	EA	
046		BO6. VC24-36	SEAL, OIL	VC24*36*4	C	1.000	EA	
047		8C17	SHAFT		C	1.000	EA	
048		SS. M696	SCREW, SET	M6*6MM P1.0	C	1.000	EA	
049		8C19	GEAR		C	1.000	EA	
050		HK. 6920	KEY	6 (-1%)-2% *6 (-10%)-20% *20 (-15%)-2	C	1.000	EA	
051		SC. M8S18	SCREW	M8*18MM P1.25	C	5.000	EA	
052		8C11	GEAR, CLUTCH		C	1.000	EA	
053		8C12	PIN	5*30M/M	C	4.000	EA	
054		HSP. 5-30	PIN, SPRING		C	1.000	EA	
055		SD21Z01	LEVER SHANK		C	1.000	EA	
056		LZ. K10B-B2Z01	HANDLE	BLACK M10*1.5 FOR: 550&850&G27	C	1.000	EA	
057		SS. M10S2C	SCREW, SET	M10*25MM P1.5	C	1.000	EA	
058		SN. M101	NUJ	M10*P1.5 B=14 H=8	C	1.000	EA	
059		HS. C5-22	SPRING	P-1.0*6.3*13.5-6N (C5-22)	C	1.000	EA	
060		5D43	PIN		C	1.000	EA	
061		SR+. M4-8	SCREW	M4*8MM P0.75	C	4.000	EA	
062		SC. M8S40	SCREW	M8*40MM P1.25	C	3.000	EA	
063		5D31R	SEAT, LEVER		C	1.000	EA	
064		5D29	BLOCK, LINK		C	1.000	EA	
065		5D20RZ01	SHAFT, LEVER		C	1.000	EA	
066		5D 6	COVER		C	1.000	EA	
067		8C 9	GEAR, CLUTCH		C	1.000	EA	
068		8C10	GEAR, CLUTCH		C	1.000	EA	
069		8C35RZ01	SCREW, SET	M8*8MM P1.25	C	1.000	EA	
070		SS. M898	SHAFT, CLUTCH		C	1.000	EA	
071		8C 7	GEAR, BEVEL	7 (-2%)-4% *7 (-10%)-20% *32 (-10%)-2	C	1.000	EA	
072		8C20Z01	KEY	M8*20MM P1.25	C	2.000	EA	
073		HK. 7932	SCREW	7 (-6%)-10% *7 (-10%)-20% *23 (-15%)-	C	1.000	EA	
074		SC. M8920	COVER		C	1.000	EA	
075		8C44	SHAFT		C	1.000	EA	
076		8C 5	KEY		C	1.000	EA	
077		HK. 7923	GEAR		C	1.000	EA	
078		8C 4	SEAT, SHAFT		C	1.000	EA	
079		8C 1Z01	SCREW	M6*45MM P1.0	C	1.000	EA	
080		SC. M6945	SPRING	P-1*6*15-7N (C5-12)	C	1.000	EA	
081		HS. C5-12	BALL, STEEL	1/4" +-0 AFENMA GRADE 25	C	1.000	EA	
082	3343000	HSB. 11/4	HAND WHEEL		C	1.000	EA	
083		8B 85	COVER		C	1.000	EA	
084		8B 83	SHAFT		C	1.000	EA	
085		8C 3	SCREW	M10*25-25MM P1.5	C	1.000	EA	
086		SC. M10925			C	1.000	EA	



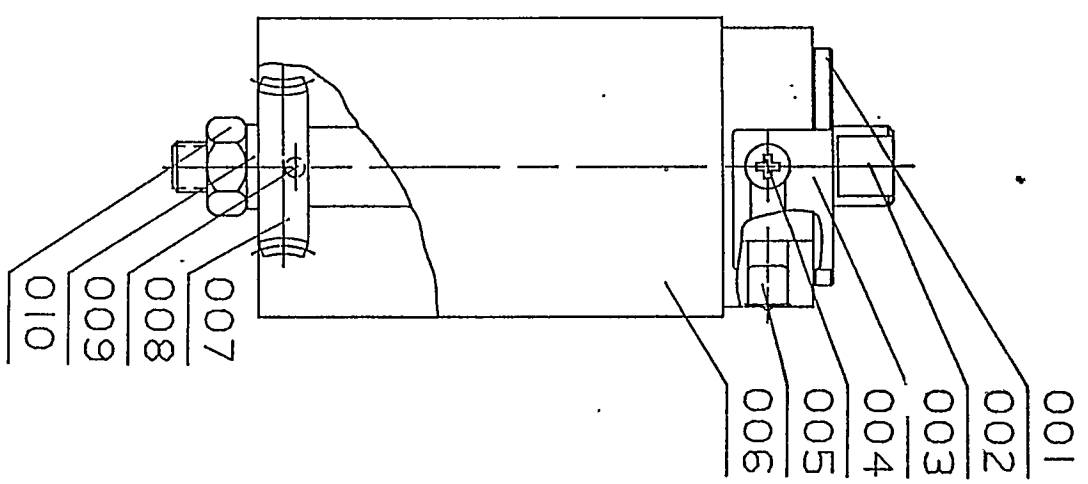


 楊鐵工廠股份有限公司	77.04.19	1:2	APD.B.N.18.PI	0
	日期	比例	圖號	版次
			第一號	



	棉铁工廠股份有限公司			
	日期	比例	统一	编号
	76.11.03	1:2	统	一
			号	号
	APD.B.N.18.P2	号	号	号
版次	0			





	楊鐵工廠股份有限公司	
	日期	比例
76.11.04	1:1	統一 提号
APD.B.N.19	号	
00	版次	



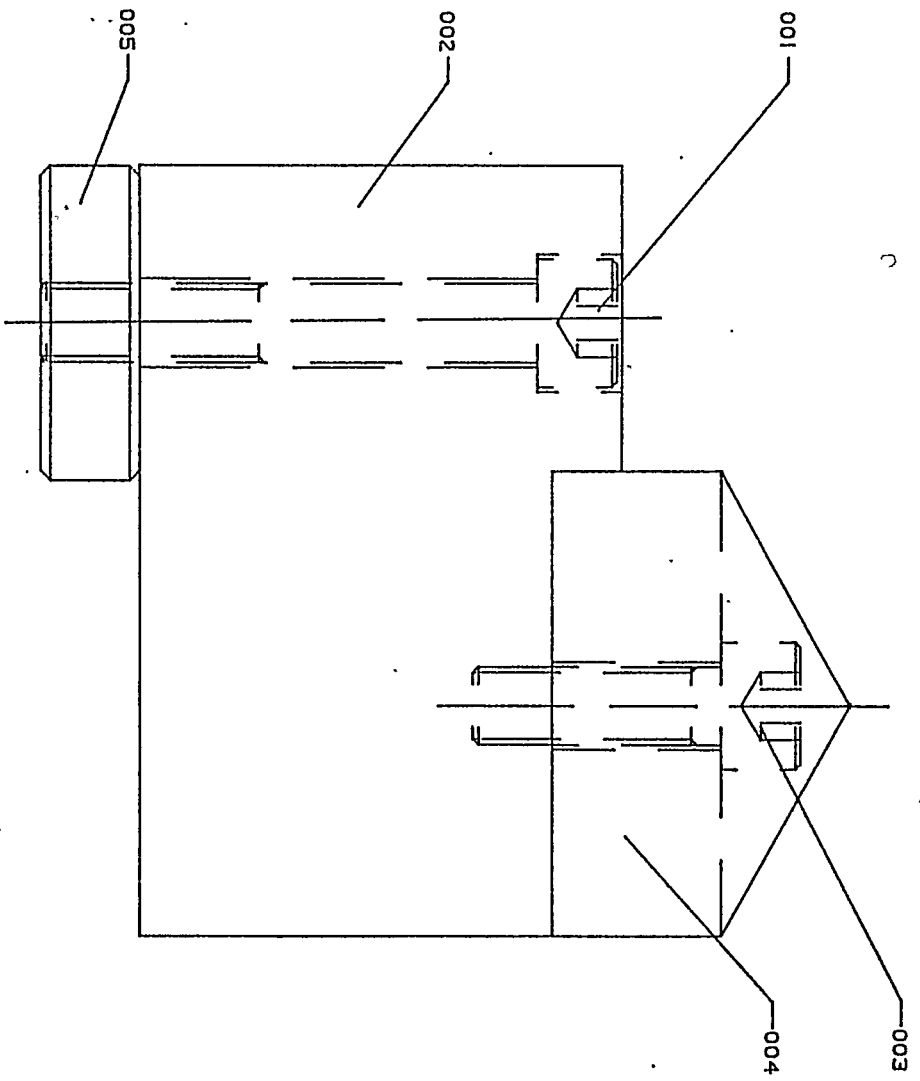
POM201/PDMFROC YANG WORKS.  
 PARENT PART: APD. E. N. 20  
 OP CODE : 2


\*\*\*\*\* PARTS LIST \*\*\*\*\*  
 PARENT DESCRIPTION: AUTOMATIC STOP ATTACHMENT  
 SELECTION :

DATE: 06/20/77  
 MODEL: YAM-850, 1250, 2000, 2500  
 ECDATE: 99/99/98

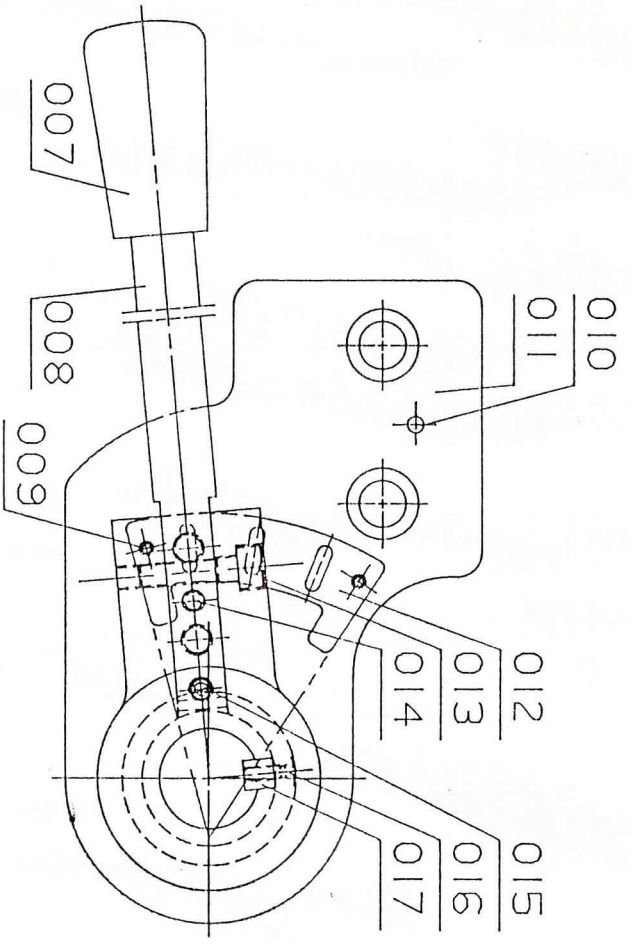
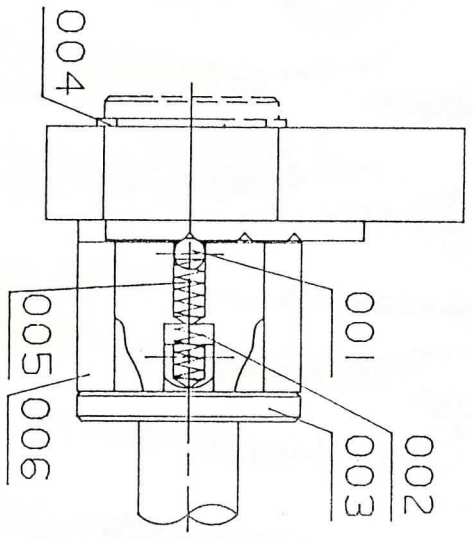
SEQ CATALOG-NO PART-NUMBER DESCRIPTION SPECIFICATION TYPE QTY U/M UNIT SELECTION  
 12 34 56 78 9A BC


SEQ	CATALOG-NO	PART-NUMBER	DESCRIPTION	SPECIFICATION	TYPE	QTY	U/M	UNIT	SELECTION
001		SC. M8850	SCREW	M8*50MM P1.25	C	1.000	EA		
002		BE 93201	DOG		C	1.000	EA		
003	9000533	SC. M8825	SCREW	M8*25MM P1.25	C	1.000	EA		
004		SD49	BLOCK STOP		C	1.000	EA		
005		SD51	NUT		C	1.000	EA		



	77.05.10		2:1	统 一 编 号	APD.B.N.20	00
	日 期	比 例				
棉 筑 工 业 股 份 有 限 公 司						

SEQ	CATALOG-NO	PART-NUMBER	DESCRIPTION	SPECIFICATION	TYPE	QTY	U/M	UNIT	SELECTION
001	3343000	H8B. 11/4	BALL, STEEL	1/4" +-0 AFBMA GRADE 25	C	1.000	EA	12	
002		H8. C5-12	SPRING	P-1*6*15-7N (C5-12)	C	1.000	EA	34	
003		8B261	SHAFT		C	1.000	EA	56	
004	1316000	H8R. S35	RING, OUTER RETAINING	S-35M/M	C	1.000	EA	78	
005		H8. C5-12	SPRING	P-1*6*15-7N (C5-12)	C	1.000	EA	9A	
006		8B262	SEAT, LEVER	RED THREAD=M10*1.5	C	1.000	EA	BC	
007		LZ. KNOB-R2Z01	KNOB		C	1.000	EA		
008		8B264Z01	LEVER	S*20M/M	C	1.000	EA		
009		H8P. 5-20	PIN, SPRING		C	2.000	EA		
010		HTP. 5#32	PIN, TAPER	5#*32MM	C	1.000	EA		
011		8B263	SEAT		C	1.000	EA		
012		5B257Z01	GROOVED SEAT	M5*25MM P0.9	C	1.000	EA		
013		SC. M5625	SCREW		C	1.000	EA		
014		5B253	PIN	M5*10MM P0.9	C	1.000	EA		
015		SS. M5610	SCREW, SET	M3*8MM P0.6	C	1.000	EA		
016		SF+. M3-8	SCREW		C	1.000	EA		
017		8B261A	KEY		C	1.000	EA		



	楊鐵工廠股份有限公司					
日期	76.11.04	比例	1:1	統一編號	APD.B.N.21	00
				號	號	版次

SEQ CATALOG-NO	PART-NUMBER	DESCRIPTION	SPECIFICATION	TYPE	QTY	U/M	UNIT	SELECTION
001	APD. B. N. 16	GEAR CASE & ELEC.	CIRCUYAM-850, 1250, 2000, 2500	A	1.000	EA		
002	APD. B. N. 13	MACHINE BODY (2)	YAM-850, 1250, 2000, 2500	A	1.000	EA		
003	HTP. 5#45	PIN, TAPER	5#*45M/M	C	1.000	EA		
004	HTP. 5#45	PIN, TAPER	5#*45M/M	C	1.000	EA		
005	8B144E-850	SCREW, LEAD	32*1381	C	1.000	EA		2
005	8B144E-1250	SCREW, LEAD	38*1880	C	1.000	EA		2
005	8B144E-1500	SCREW, LEAD	38*2175	C	1.000	EA		2
005	8B144E-2000	SCREW, LEAD	38*2600	C	1.000	EA		2
005	8B144E-2500	SCREW, LEAD	38*3099	C	1.000	EA		2
005	8B144M-850	SCREW, LEAD	32*1381	C	1.000	EA		1
005	8B144M-1250	SCREW, LEAD	38*1880	C	1.000	EA		1
005	8B144M-1500	SCREW, LEAD	38*2175	C	1.000	EA		1
005	8B144M-2000	SCREW, LEAD	38*2600	C	1.000	EA		1
005	8B144M-2500	SCREW, LEAD	38*3099	C	1.000	EA		1
005	8B145-850	FEED ROD		C	1.000	EA		1
006	8B145-1250	FEED ROD		C	1.000	EA		1
006	8B145-1500	FEED ROD		C	1.000	EA		2
006	8B145-2000	FEED ROD		C	1.000	EA		3
006	8B145-2500	FEED ROD		C	1.000	EA		4
007	8B146-850	ROD, STARTING		C	1.000	EA		5
007	8B146-1250	ROD, STARTING		C	1.000	EA		1
007	8B146-1500	ROD, STARTING		C	1.000	EA		2
007	8B146-2000	ROD, STARTING		C	1.000	EA		3
007	8B146-2500	ROD, STARTING		C	1.000	EA		4
008	SC. M10650	SCREW	M10*50MM P1.5	C	4.000	EA		5
009	HTP. 5#45	PIN, TAPER	5#*45M/M	C	2.000	EA		
010	APD. B. N. 17	APRON (LEFT)	YAM-850, 1250, 2000, 2500	A	1.000	EA		1
010	APD. B. N. 18	APRON (RIGHT)	YAM-850, 1250, 2000, 2500	A	1.000	EA		2
011	SC. M10665	SCREW	M10*65MM P1.5	C	1.000	EA		
012	APD. B. N. 19	THREADING DIAL	YAM-850, 1250, 2000, 2500	A	1.000	EA		
013	SC. M8620	SCREW	M8*20MM P1.25	C	2.000	EA		
014	APD. B. N. 21	STARTING SWITCH	YAM-850, 1250, 2000, 2500	A	1.000	EA		
015	APD. B. N. 20	AUTOMATIC STOP ATTACHMEYAM-850, 1250, 2000, 2500	YAM-850, 1250, 2000, 2500	A	1.000	EA		
016	SS. M666	SCREW, SET	M6*6MM P1.0	C	1.000	EA		
017	HSP. 5-45	PIN, SPRING	5*45M/M	C	1.000	EA		
018	8B161	PROTECTOR		C	1.000	EA		
019	SR+. M6-8	SCREW	M6*8MM P1.0	C	2.000	EA		
020	LZ. CC-5/8	COVER	5/8-18UNF	C	1.000	EA		
021	BB. 6005	BEARING	6005	C	1.000	EA		
022	HTP. 7#75	PIN, TAPER	7#*75M/M	C	1.000	EA		
023	LZ. CC-1+1/4	PLUG, PVC	1-1/4" (SB4408&B334)	C	1.000	EA		
024	BR. 6203Z	REARING, BALL	6203Z	C	1.000	EA		
025	LZ. CC-1+1/4	PLUG, PVC	1-1/4" (SB4408&B334)	C	1.000	EA		
026	LP. 8B332	PLUG, PVC	8B332	C	1.000	EA		
027	SC. M12675	SCREW	M12*75MM P1.75	C	2.000	EA		
028	8B 95	WASHER		C	1.000	EA		
029	8B126	LEADSCREW SEAT		C	1.000	EA		
030	SR+. M6-10	SCREW	M6*10MM P1.0	C	1.000	EA		
031	8B 90B	PROTECTOR		C	2.000	EA		

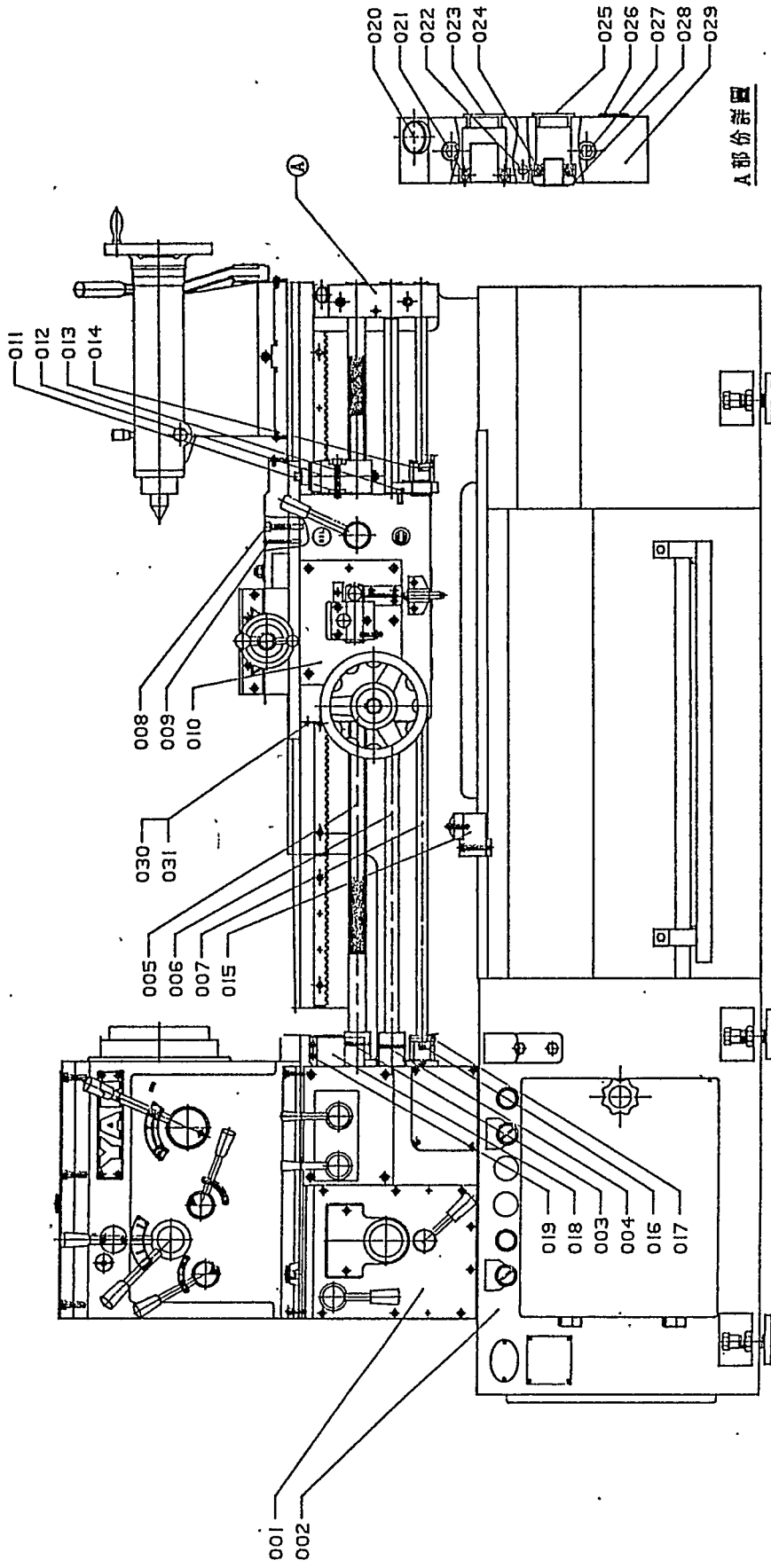
RON201/PDHPROC YAMAHA WORKS.  
PARENT PART: APD. B. N. 22  
OP CODE : 2


\*\*\*\*\* PARTS LIST \*\*\*\*\*  
PARENT DESCRIPTION: TRANSMISSION MECHANIC  
SELECTION :

DATE: 06/20/77  
MODEL: YAM-850, 1250, 2000, 2500  
ECPATE: 99/99/98

PAGE: 17

SEQ	CATALOG-NO	PART-NUMBER	DESCRIPTION	SPECIFICATION	TYPE	QTY	U/M	UNIT	12	34	56	78	9A	BC
031		8B 90A	PROTECTOR		C	1.000	EA		2					1
031		8B 90A	PROTECTOR		C	1.000	EA		3					1
031		8B 90A	PROTECTOR		C	1.000	EA		4					1
031		8B 90A	PROTECTOR		C	1.000	EA		5					1
031		8B 91B	PROTECTOR		C	1.000	EA		1					2
031		8B 91A	PROTECTOR		C	1.000	EA		2					2
031		8B 91A	PROTECTOR		C	1.000	EA		3					2
031		8B 91A	PROTECTOR		C	1.000	EA		4					2
031		8B 91A	PROTECTOR		C	1.000	EA		5					2

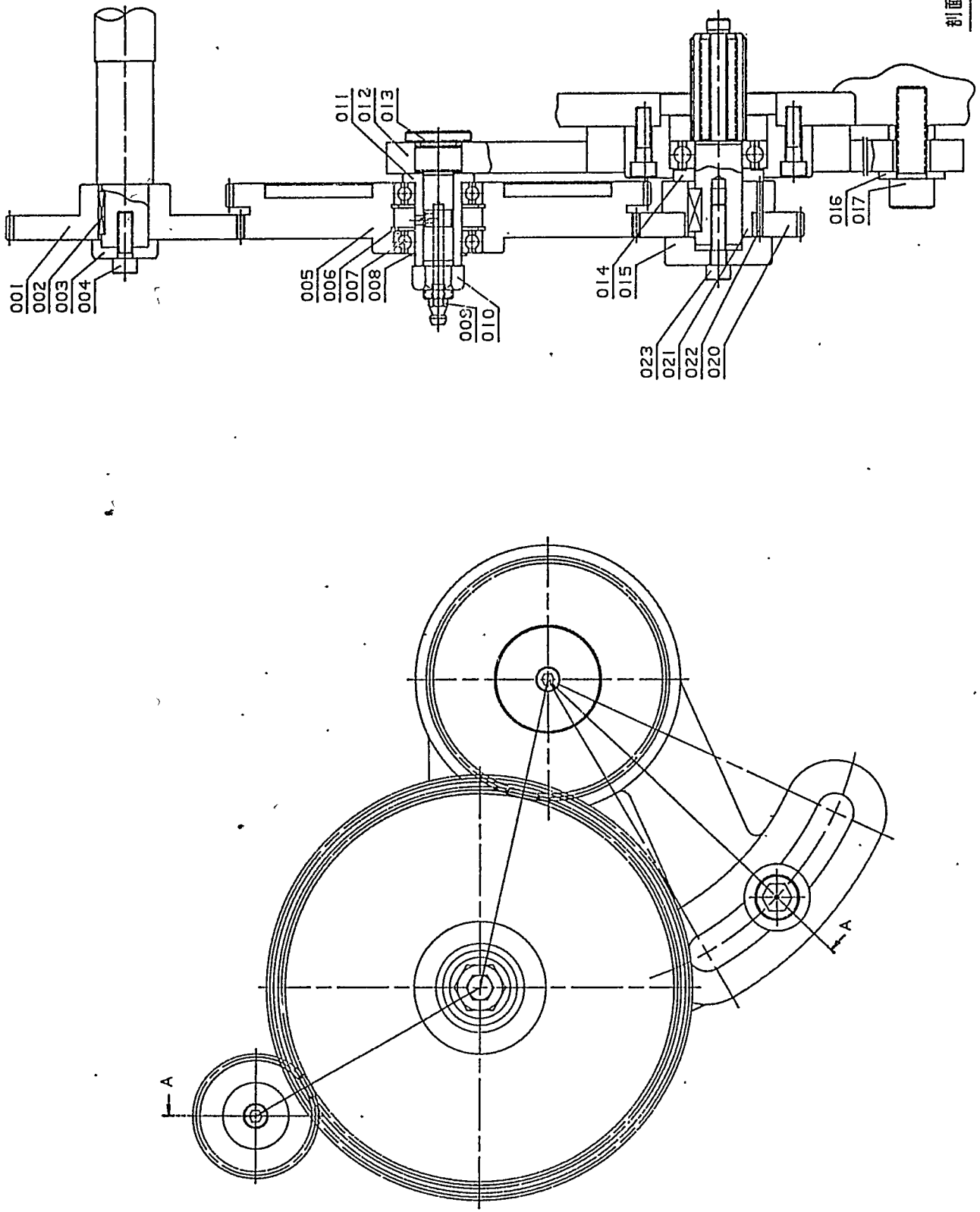


 楊鐵工廠股份有限公司	77.04.19	1:8	APD.B.N.22	00
	日期	比例	統一編號	圖號


PARENT DESCRIPTION: CHANGE GEAR PARTS LIST \*\*\*\*\*  
 SELECTION :

SEQ	CATALOG-NO	PART-NUMBER	DESCRIPTION	SPECIFICATION	TYPE	QTY	U/M	UNIT	12	34	56	78	9A	BC
001		GB 58H	GEAR		C	0.000	EA							2
001		GB 58L	GEAR		C	0.000	EA							1
001		GB 43H	GEAR		C	1.000	EA							2
001		GB 43L	GEAR		C	1.000	EA							1
002		HK. 7S23	KEY	7(-6%)>-10%)*7(-10%)>-20%)*23(-15%)>-	C	1.000	EA							
003		GB 44	WASHER		C	1.000	EA							
004		SC. M8S20	SCREW	M8*20MM P1.25	C	1.000	EA							
005		GB 47L	GEAR		C	1.000	EA							1
005		GB 47H	GEAR		C	1.000	EA							2
006		HGR. R47	RING, SNAP	R-47M/M	C	2.000	EA							
007		BB. 6005Z	BEARING, BALL	6005Z	C	2.000	EA							
009	9000716	HGR. S25	RING, OUTER RETAINING	S-25M/M	C	1.000	EA							
009		PG. S1/4*3/16	OIL CUP	1/4"*3/16" (D) MUST +0.05 TO +0.15	C	1.000	EA							
011		GB 45	SLEEVE		C	1.000	EA							
012		GB 48H	SAET		C	1.000	EA							2
012		GB 48L	SAET		C	1.000	EA							1
013		GB 46Z01	SHAFT		C	1.000	EA							
014		GB 52	WASHER		C	1.000	EA							
015		GB 59	BUSHING		C	1.000	EA							
016		SB168	WASHER		C	1.000	EA							
017		SC. M16S50	SCREW	M16*50MM (S=40MM) P2.0	C	1.000	EA							
018		GB 51	WASHER		C	1.000	EA							
020		GB 56H	GEAR		C	1.000	EA							2
020		GB 56L	GEAR		C	1.000	EA							1
021		GB 57	COLLAR		C	1.000	EA							
022		GB 57-1	PIN		C	1.000	EA							
023	9000201	SC. M8S30	SCREW	M8*30MM P1.25	C	1.000	EA							





剖面 A-A

 楊鐵工廠股份有限公司	77.04.25	1:2	日期	比例	统一编号	图号	APD.B.N.23	01
								原次

EOM201/PIMP/PROC YANG WORKS,  
 PARENT PART : APD.B.N.24  
 OP CODE : 2

PARENT DESCRIPTION: TOOL REST  
 SELECTION :

\*\*\*\*\* PARTS LIST \*\*\*\*\*

DATE: 06/20/77  
 MODEL: YAM-850, 1250, 2000, 2500  
 ECDATE: 99/99/98

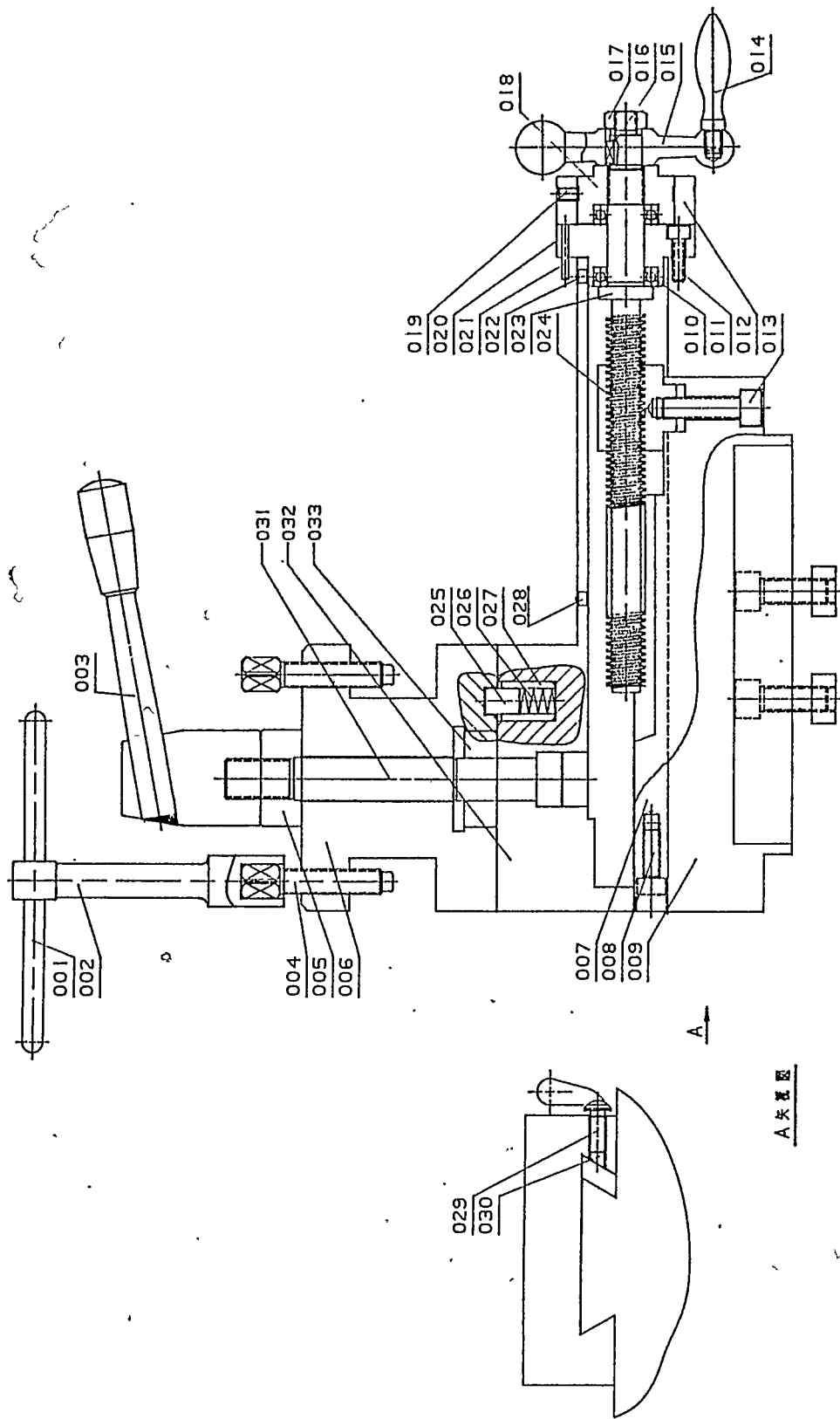
PAGE:

81


SEQ	CATALOG-NO	*PART-NUMBER	DESCRIPTION	SPECIFICATION	TYPE	QTY	U/M	UNIT	12	34	56	78	9A	BC
001		SB 80	SPANNER HANDLE		C	0.000	EA							
002		SB 79	SPANNER		C	0.000	EA							
003		SB 77Z01	LOOK HANDLE		C	1.000	EA							
004		SB 78	BOLT		C	12.000	EA							
005		SB 76	NUT		C	1.000	EA							
006		SB 32	TOOL HOLDER		C	1.000	EA							
007		SB 31	GIB		C	1.000	EA							
008		SZ.8E29-1	BOLT	M8*23MM P1.25(SB214&8E29-1&HL-B53&	C	2.000	EA							
009		8B165H	SEAT		C	1.000	EA							
009		8B165L	SEAT		C	1.000	EA							
010		BTR.51103	BEARING	51103	C	2.000	EA							
011		SC.M6S20	SCREW	M6*20MM P1.0	C	2.000	EA							
012		SB 66M	GRADUATED RING		C	1.000	EA							
013		SC.M10E25	SCREW	M10*25-25MM P1.5	C	1.000	EA							
014		8B 18Z01	HANDLE GRIP		C	1.000	EA							
015		8B 17Z01	HANDLE		C	1.000	EA							
016		HK.4S10	KEY	4(-2%)-4%)*4(-10%)-20%)*10(-5%)-10	C	1.000	EA							
017		SN.M101R	NUT	M10*P1.5 B=17 H=8	C	1.000	EA							
018		8B 19Z01	SEAT, LEAD SCREW		C	1.000	EA							
019		SS.M6S6	SCREW, SET	M6*2MM P1.0	C	1.000	EA							
020		8B 21Z02	HOUSING, LEAD SCREW		C	1.000	EA							
021		HSP.4-28	PIN, SPRING	4*28M/M	C	1.000	EA							
022		PG.51/4*3/16	OIL CUP	1/4"*3/16" ('D' MUST +0.05 TO +0.15	C	1.000	EA							
023		8B 16M202	LEAD SCREW		C	1.000	EA							
024		8B 22M201	NUT, TOOL HOLDER LEADSCR		C	1.000	EA							
025		8B 28	PIN		C	1.000	EA							
026		H6.CS-05	SPRING	P-1.3*11*32-7N (CS-05)	C	1.000	EA							
027		8B 27	BUSHING		C	1.000	EA							
028		PG.51/4*3/16	OIL CUP	1/4"*3/16" ('D' MUST +0.05 TO +0.15	C	3.000	EA							
029		8B 30	SCREW		C	1.000	EA							
030		8B 66	PLUG		C	1.000	EA							
031		8B 23M201	GEAR		C	1.000	EA							
032		8B164H	GEAT, TOOL HOLDER		C	1.000	EA							
032		8B164L	GEAT, TOOL HOLDER		C	1.000	EA							
033		8B 24	COLLAR		C	1.000	EA							

SELECTION

2  
1



A 视图

 楊鐵工廠股份有限公司	76.11.06	1:2	APD.B.N.24	00
	日期	比例	統一編號	圖號

BOM201/PINPROC YANG WORKS.  
 PARENT PART: APD.B.N.25  
 OP CODE : 2

PARENT DESCRIPTION: SEAT  
 SELECTION :

\*\*\*\*\* PARTS LIST \*\*\*\*\*

DATE: 06/20/77  
 MODEL: YAH-850, 1250, 2000, 2500  
 ECHDATE: 99/99/98

PAGE:

SEQ	CATALOG-NO	PART-NUMBER	DESCRIPTION	SPECIFICATION	TYPE	QTY	U/M	UNIT	12	34	56	78	9A	BC
007		8B 31	GIB		C	1.000	EA							
008		SZ. 8B29-1	BOLT	M8*23MM P1.25 (SB214&8B29-1&HL-B53&	C	2.000	EA							
009		8B165H	SEAT		C	1.000	EA							
009		8B165L	SEAT		C	1.000	EA							
010		BTB. S1103	BEARINGS	S1103	C	2.000	EA							2
011		SC. M6620	SCREW	M6*20MM P1.0	C	2.000	EA							1
012		SB344Z01	RING, GRADUATED	SB374	C	1.000	EA							
013		SC. M10S25	SCREW	M10*25-25MM P1.5	C	1.000	EA							
014		8B 18	HANDLE GRIP		C	1.000	EA							
015		8B 17	HANDLE		C	1.000	EA							
016		HK. 4S10	KEY	4 (-2%) -4% *4 (-10%) -20% *10 (-5%) -10	C	1.000	EA							
017		SN. M101B	NUT	M10*P1.5 B=17 H=8	C	1.000	EA							
018		8B 19	SEAT, LEAD SCREW		C	1.000	EA							
019		SS. M662	SCREW, SET	M6*6MM P1.0	C	1.000	EA							
020		8B 21Z02	HOUSING, LEAD SCREW		C	1.000	EA							
021		HSP. 4-28	PIN, SPRING	4*28MM	C	1.000	EA							
022		PG. S1/4*3/16	OIL CUP	1/4" *3/16" ( 'D' MUST +0.05 TO +0.15	C	1.000	EA							
023		8B 16Z202	SCREW, LEAD		C	1.000	EA							
024		8B 22E	NUT		C	1.000	EA							
025		8B 28	PIN		C	1.000	EA							
026		H6. CS-05	SPRINGS	P-1.3*11*32-7N (CS-05)	C	1.000	EA							
027		8B 27	BUSHING		C	1.000	EA							
028		PG. S1/4*3/16	OIL CUP	1/4" *3/16" ( 'D' MUST +0.05 TO +0.15	C	3.000	EA							
029		8B 30	SCREW		C	1.000	EA							
030		8B 66	PLUG		C	1.000	EA							

SELECTION

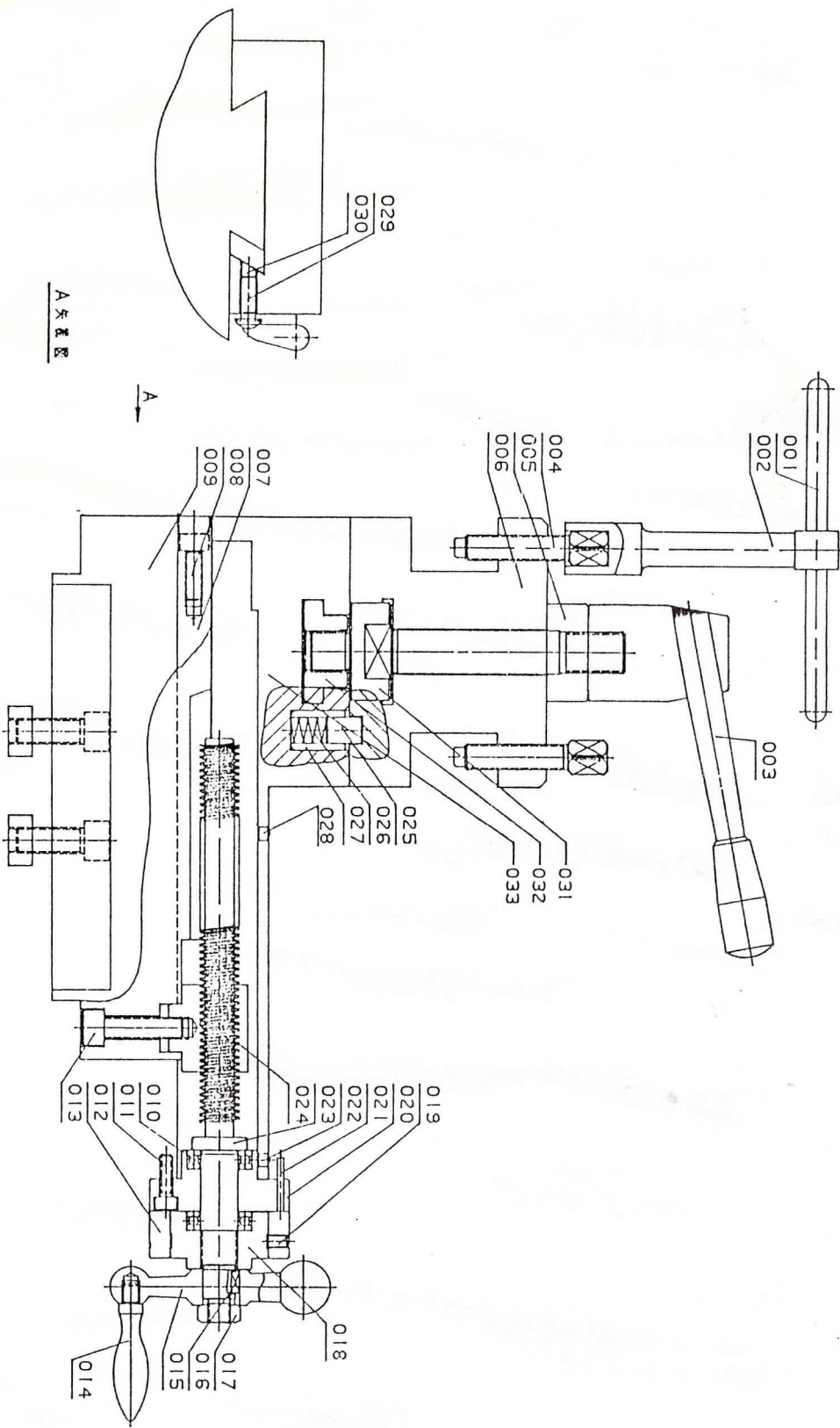
BOM201/PDMPROC YANG WORKS.  
 PARENT PART: APD.B.N.25.01  
 OP CODE : 2


\*\*\*\*\* PARTS LIST \*\*\*\*\*  
 PARENT DESCRIPTION: TOOL REST(INCH FOR U.S.A)  
 SELECTION :

DATE: 06/20/77  
 MODEL:YAM-850,1250,2000,2500  
 ECDATE: 99/99/98

PAGE: 84

SEQ	CATALOG-NO	PART-NUMBER	DESCRIPTION	SPECIFICATION	TYPE	QTY	U/M	UNIT	SELECTION
001		5B 80	SPANNER HANDLE		C	1.000	EA	12	
002		5B 79	SPANNER		C	1.000	EA	56	
003		5B 77Z01	LOCK HANDLE		C	1.000	EA	78	
004		5B 78	BOLT		C	12.000	EA	9A	
005		5B 76	NUT		C	1.000	EA	BC	
006		8B 32	TOOL HOLDER		C	1.000	EA		
031		8B 23-1Z01	SHAFT		C	1.000	EA		
032		8B 23-2Z01	NUT		C	1.000	EA		
033		8B164AH	SEAT, TOOL HOLDER		C	1.000	EA		2
033		8B164AL	SEAT, TOOL HOLDER		C	1.000	EA		1



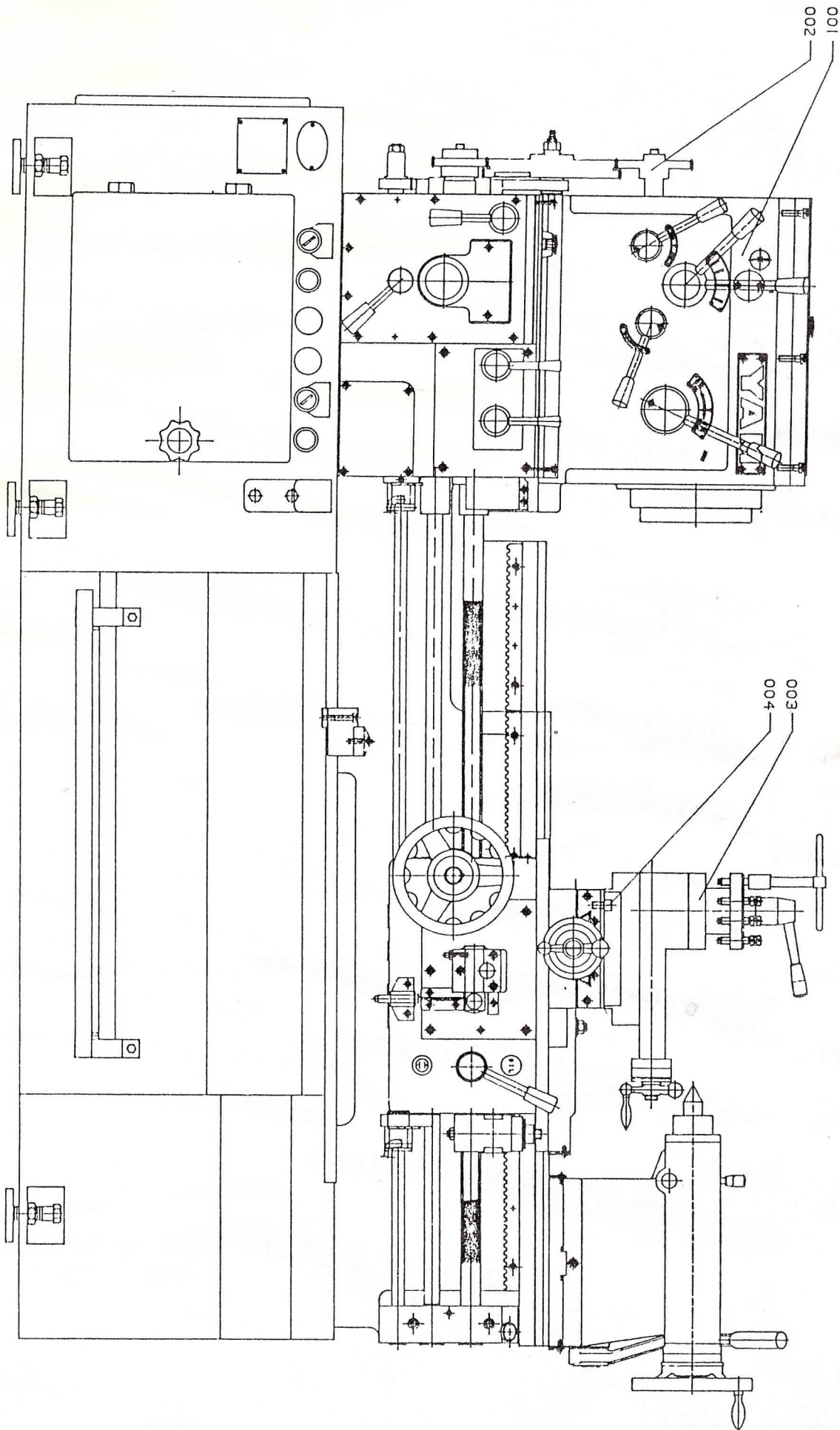
 棉铁工廠股份有限公司	76.11.06	1:2	统一编号	APD.B.N.25	00
	日期	比例		图号	


MODEL: YAM-850, 1250, 2000, 2500  
 ECORATE: 99/99/96

PARENT DESCRIPTION: POWER SYSTEM  
 SELECTION :

PARENT PART: APD.B.N.25  
 OP CODE : 2

SEQ	CATALOG-NO	PART-NUMBER	DESCRIPTION	SPECIFICATION	TYPE	QTY	U/M	UNIT	SELECTION
001		APD. B. N. 22	TRANSMISSION MECHANIC	YAM-850, 1250, 2000, 2500	A	1.000	EA	12	1
002		APD. B. N. 23	CHANGE GEAR	YAM-850, 1250, 2000, 2500	A	1.000	EA	34	2
003		APD. B. N. 24	TOOL REST	YAM-850, 1250, 2000, 2500	A	1.000	EA	56	2
003		APD. B. N. 25	SEAT	YAM-850, 1250, 2000, 2500	C	1.000	EA	78	
003		APD. B. N. 25. 01	TOOL REST (INCH FOR U. S.	YAM-850, 1250, 2000, 2500	C	1.000	EA		
004		SC. M12625	SCREW	M12*25MM P1.75	C	4.000	EA	9A	BC

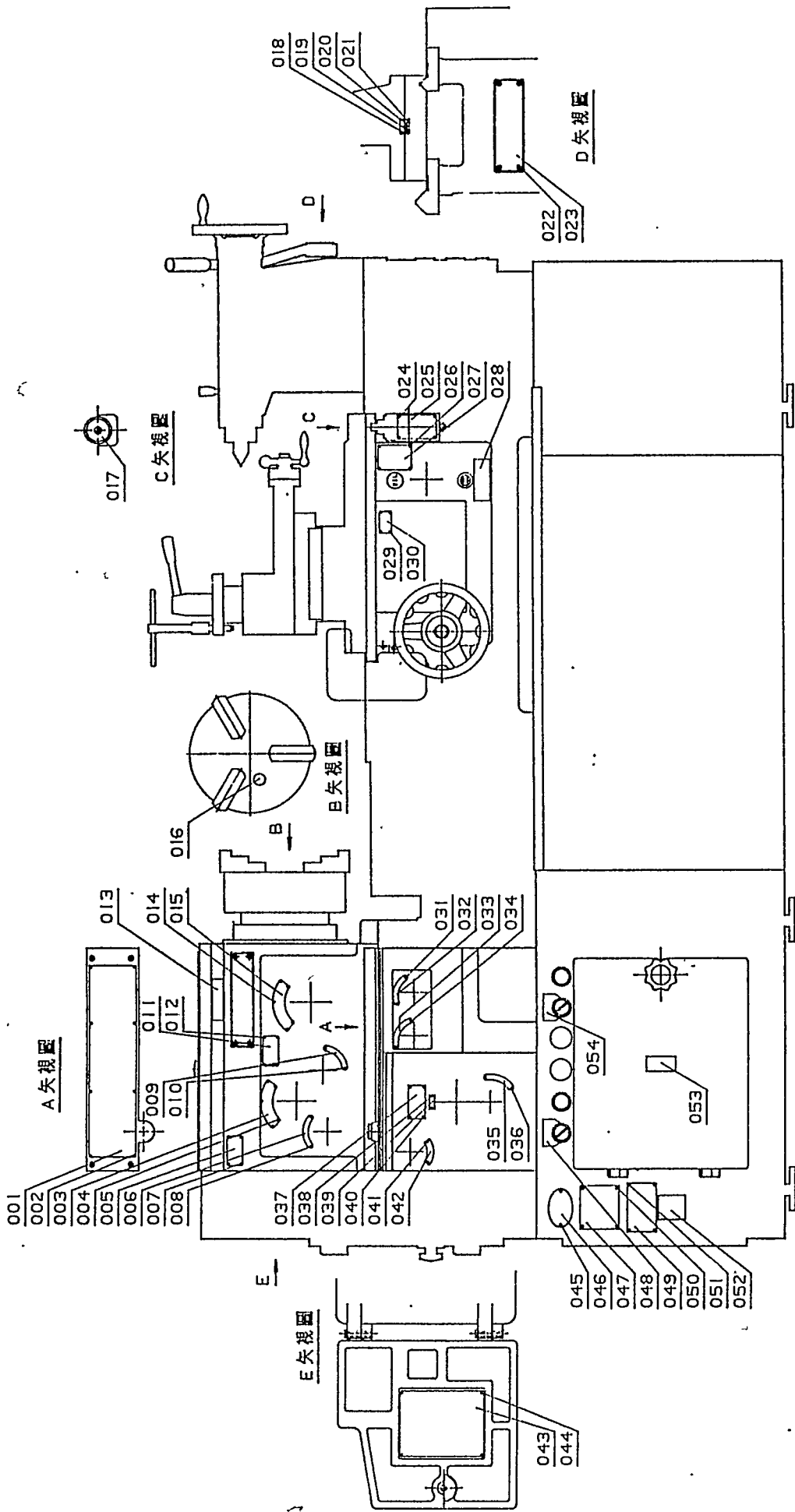


 楊鐵工廠股份有限公司	76.11.06	1:5	統一編號	APD.B.N.25	0
	日期	比例		號	

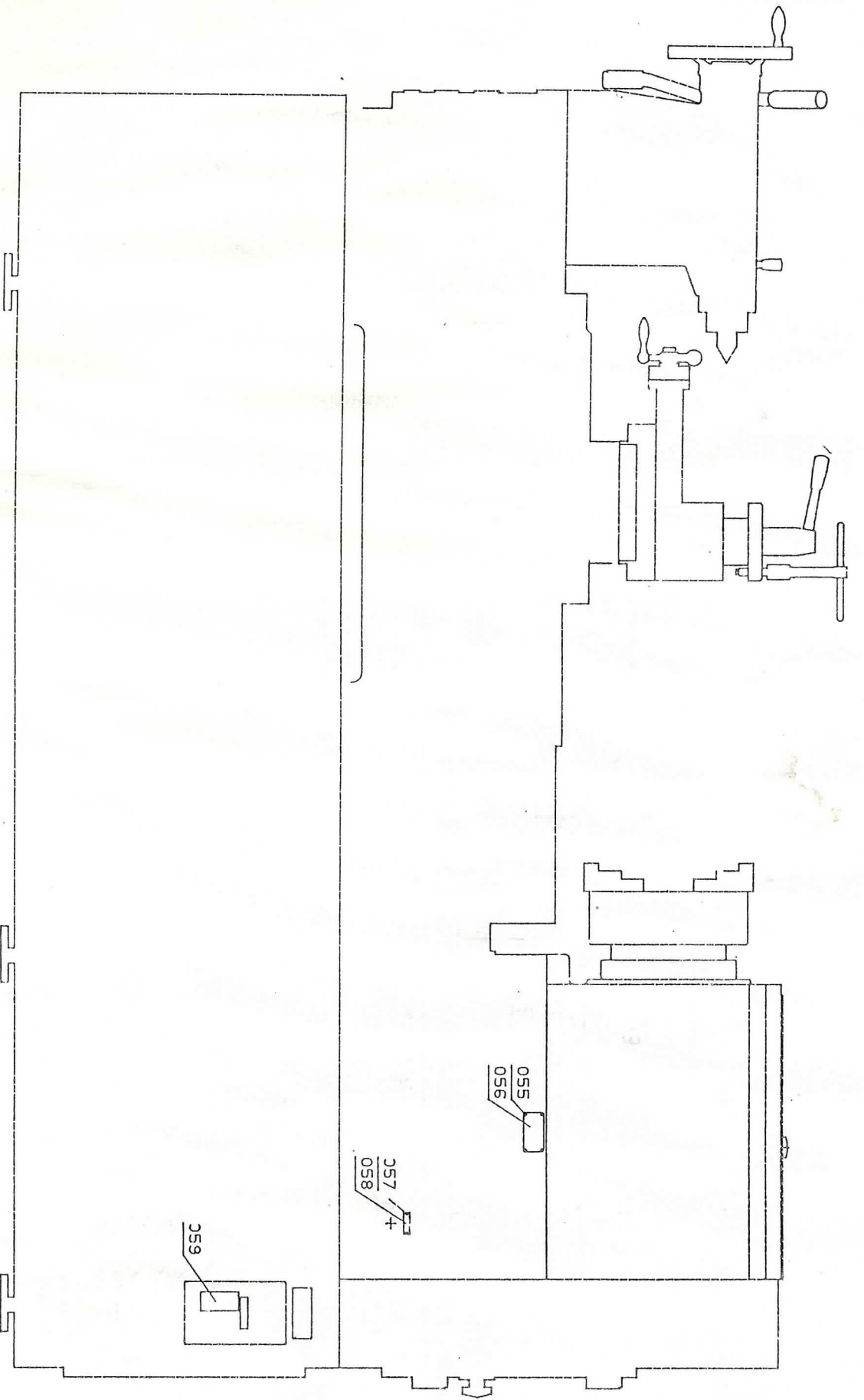



SER CATALOG-NO	PART-NUMBER	DESCRIPTION	SPECIFICATION	TYPE	QTY	U/M	UNIT	SELECTION
001	RP8. 028C	PLATE, NAME	L-8	C	1.000	EA	1	1
001	RP8. 029C	PLATE, NAME	L-8	C	1.000	EA	1	1
001	RP8. 032E	PLATE, NAME	L-8E	C	1.000	EA	2	2
001	RP8. 033E	PLATE, NAME	L-8E	C	1.000	EA	2	2
001	RP8. 023C	PLATE, NAME	L-8	C	1.000	EA	2	2
001	RP8. 024C	PLATE, NAME	L-8	C	1.000	EA	2	2
002	Q20001	RIVET	2*7MM	C	8.000	EA	2	2
003	RP8. 001	PLATE, NAME	L-8	C	1.000	EA		
004	Q20001	RIVET	2*7MM	C	5.000	EA		
005	RP8. 011C	PLATE, NAME	L-0	C	1.000	EA	1	1
005	RP8. 011E	PLATE, NAME	L-0E	C	1.000	EA	2	2
006	RP8. 007C	PLATE, NAME	L-8	C	1.000	EA	1	1
006	RP8. 007E	PLATE, NAME	L-8E	C	1.000	EA	2	2
007	Q20001	RIVET	2*7MM	C	1.000	EA		
008	Q20001	RIVET	2*7MM	C	1.000	EA		
009	RP8. 002	PLATE, NAME	L-8	C	1.000	EA		
010	Q20001	RIVET	2*7MM	C	2.000	EA		
011	RP5. 005C	PLATE, NAME	L-0	C	1.000	EA	1	1
011	RP5. 005E	PLATE, NAME	L-0E	C	1.000	EA	2	2
012	Q20001	RIVET	2*7MM	C	4.000	EA		
013	RL. 001C	ADHESIVE	RECOMMENDED OIL	C	1.000	EA	1	1
013	RL. 001E	ADHESIVE	RECOMMENDED OIL	C	1.000	EA	2	2
014	Q20001	RIVET	2*7MM	C	5.000	EA		
015	RP8. 005C	PLATE, NAME	L-8	C	1.000	EA	1	1
015	RP8. 005E	PLATE, NAME	L-8E	C	1.000	EA	2	2
016	RPC. YAM	PLATE, NAME	L-V-42	C	1.000	EA		
017	RP5. 013	PLATE, NAME	L-5	C	1.000	EA		
018	Q20001	RIVET	2*7MM	C	2.000	EA		
019	RP5. 003	PLATE, NAME	L-0	C	1.000	EA		
020	RP5. 002	PLATE, NAME	L-0	C	1.000	EA		
021	Q20001	RIVET	2*7MM	C	2.000	EA		
022	SRC. M568	SCREW	M5*8MM P0.8	C	4.000	EA		
023	SB300	PLATE, NAME		C	1.000	EA		
024	Q20001	RIVET	2*7MM	C	4.000	EA		
025	RP8. 026C	PLATE, NAME	L-8	C	1.000	EA	1	1
025	RP8. 030E	PLATE, NAME	L-8E	C	1.000	EA	2	2
025	Ri 8. 021C	PLATE, NAME	L-8	C	1.000	EA	2	2
026	Q20001	RIVET	2*7MM	C	4.000	EA		
027	RP8. 008C	PLATE, NAME	L-8	C	1.000	EA		
027	RP8. 008E	PLATE, NAME	L-8E	C	1.000	EA	1	1
028	RL. 002C	ADHESIVE	RECOMMENDED OIL	C	1.000	EA	2	2
028	RL. 002E	ADHESIVE	RECOMMENDED OIL	C	1.000	EA	2	2
029	Q20001	RIVET	2*7MM	C	4.000	EA		
030	RP5. 007C	PLATE, NAME	L-0	C	1.000	EA	1	1
030	RP5. 007E	PLATE, NAME	L-0E	C	1.000	EA	2	2
031	Q20001	RIVET	2*7MM	C	2.000	EA		
032	RP8. 006C	PLATE, NAME	L-8	C	1.000	EA	1	1
032	RP8. 006E	PLATE, NAME	L-8E	C	1.000	EA	2	2
033	RP8. 004	PLATE, NAME	L-8	C	1.000	EA		

SEQ	CATALOG-NO	PART-NUMBER	DESCRIPTION	SPECIFICATION	TYPE	QTY	U/M	UNIT	12	34	56	76	9A	BC
034		Q20001	RIVET	2+7M/M	C	2.000	EA							
035		RP5. 008C	PLATE, NAME	L-0	C	1.000	EA					1		
036		RP5. 008E	NAME PLATE	L-0E	C	1.000	EA					2		
037		Q20001	RIVET	2+7M/M	C	2.000	EA							
037		RP5. 007C	PLATE, NAME	L-0	C	1.000	EA					1		
037		RP5. 007E	PLATE, NAME	L-0E	C	1.000	EA					2		
038		Q20001	RIVET	2+7M/M	C	2.000	EA							
039		RP5. 001	PLATE, NAME	L-0	C	1.000	EA							
040		Q20001	RIVET	2+7M/M	C	4.000	EA							
041		Q20001	RIVET	2+7M/M	C	2.000	EA							
042		RP3. 003	PLATE, NAME	L-8	C	1.000	EA							
043		RP3. 027C	PLATE, NAME	L-8	C	1.000	EA					1		
043		RP3. 022C	PLATE, NAME	L-8	C	1.000	EA					1		
043		KP3. 021E	NAME PLATE	L-8	C	1.000	EA					2		
044		Q20001	RIVET	2+7M/M	C	6.000	EA							
045		Q20001	RIVET	2+7M/M	C	2.000	EA							
046		RP. A-C	PLATE, NAME	L-U-S0	C	1.000	EA					1		
046		RP. A-E	PLATE, NAME	L-U-S0	C	1.000	EA					2		
047		RP. 001C	PLATE, NAME	L-U-48	C	1.000	EA					1		
047		RP. 001E	PLATE, NAME	L-U-48	C	1.000	EA					2		
048		RP3. 005C	PLATE, NAME	L-8	C	1.000	EA							
048		RP3. 005E	PLATE, NAME	L-8E	C	1.000	EA							
049		RP. 002	PLATE, NAME	L-0	C	1.000	EA							
049		RP. 003	PLATE, NAME	L-0	C	1.000	EA							
049		RP. 003	PLATE, NAME	L-0	C	1.000	EA							
050		Q20001	RIVET	2+7M/M	C	4.000	EA							
051		Q20001	RIVET	2+7M/M	C	4.000	EA							
052		RL. 006C	ADHESIVE	HONORARY MARK OF EXPORT	C	1.000	EA					1		
052		RL. 006E	ADHESIVE	HONORARY MARK OF EXPORT	C	1.000	EA					2		
053		RL. 008	ADHESIVE	HONORARY MARK OF EXPORT	C	1.000	EA							
054		RP3. 010C	PLATE, NAME	L-8	C	1.000	EA					1		
054		RP3. 010E	PLATE, NAME	L-8E	C	1.000	EA					2		
055		Q20001	RIVET	2+7M/M	C	4.000	EA							
055		RP5. 006E	PLATE, NAME	L-0E	C	1.000	EA					2		
057		Q20001	RIVET	2+7M/M	C	2.000	EA					2		
058		RP5. 004E	PLATE, NAME	L-0	C	1.000	EA					2		
059		RL. 008	ADHESIVE	L-0	C	1.000	EA							



 楊鐵工廠股份有限公司	日期	76.11.13	比例	1:8	統一編號	圖號	APD.B.N.27.PI	0
	日期	76.11.13	比例	1:8	統一編號	圖號	APD.B.N.27.PI	0



 楊鐵工廠股份有限公司	76.11.13	1:6	統 一 編 号	APD.B.N.27.P2	<input checked="" type="checkbox"/> 号	00
	日期	比例		版次		

SEL.FCTION  
 12 34 56 78 9A BC

SEQ	CATALOG-NO	PART-NUMBER	DESCRIPTION	SPECIFICATION	T	TYPE	QTY	U/M	UNIT	12	34	56	78	9A	BC
001		C30002	SLEEVE, SPINDLE	4#		C	2.000	EA							
002		8B 40Z02	SLEEVE, CENTER			C	1.000	EA							
003		8B 58H	GEAR			C	1.000	EA							2
003		8B 58L	GEAR			C	1.000	EA							1
004		5D35-21T	GEAR, WORM			C	1.000	EA							
004		8C43-22T	GEAR, WORM			C	1.000	EA							1
005	9102000	T00001	KIT, TOOL	2#*4"		C	1.000	EA							
006	9103002	T00207	DRIVER, SCREW	3/8"		C	2.000	M							
007		PI. F3/8	HOSE, HYDRAULIC	10M/M		C	1.000	EA							
008		T00242	WRENCH, HEX. HEAD	8.0M/M		C	1.000	EA							
009		T00240	WRENCH, HEX. HEAD	6.0M/M		C	1.000	EA							
010		T00238	WRENCH, HEX. HEAD	5.0M/M		C	1.000	EA							
011		T00237	WRENCH, HEX. HEAD	4.0M/M		C	1.000	EA							
012		T00236	WRENCH, HEX. HEAD	3.0M/M		C	1.000	EA							
013		T00235	WRENCH, HEX. HEAD	2.5M/M		C	1.000	EA							
014		T00234	WRENCH, HEX. HEAD	17*19		C	1.000	EA							
015		T00130	WRENCH, OPEN-END	23*26		C	1.000	EA							
016		T00138	WRENCH, OPEN-END			C	1.000	EA							
017		5B 79	SPANNER			C	1.000	EA							
018		5B 80	SPANNER HANDLE			C	1.000	EA							
019		U50300		0.4L		C	1.000	EA							
020		T10062	GUN, AUTO. OIL			C	1.000	EA							
021		PI. C3/8-24	NOZZLE	3/8" *24"		C	1.000	EA							
022		HHB. I3/8	SLEEVE, PIPE	3/8"		C	2.000	EA							
023		5B278-150				C	1.000	EA							
024		PI. H3/8	PIPE, PLASTIC OIL	3/8"		C	1.000	M							
025	?	5B278- 40	OIL PIPE			C	1.000	EA							
026		PV. C3/8	FITTING			C	1.000	EA							
027		SC 8- 8	CHUCK	3/8"		C	1.000	EA							
028		SC 8- 8	CHUCK			C	1.000	EA							
029		5B157Z01	BOLT			C	6.000	EA							1
029		5B157Z01	BOLT			C	8.000	EA							2
029		5B157Z01	BOLT			C	8.000	EA							3
029		5B157Z01	BOLT			C	8.000	EA							4
029		5B157Z01	BOLT			C	8.000	EA							5
030		5B181	PLATE, FOUNDATION			C	6.000	EA							1
030		5B181	PLATE, FOUNDATION			C	8.000	EA							2
030		5B181	PLATE, FOUNDATION			C	8.000	EA							3
030		5B181	PLATE, FOUNDATION			C	8.000	EA							4
030		5B181	PLATE, FOUNDATION			C	8.000	EA							5
031		SN. 5B173Z01	NUT, SPECIAL	FOR: CK, G18, G27, 3A		C	6.000	EA							1
031		SN. 5B173Z01	NUT, SPECIAL	FOR: CK, G18, G27, 3A		C	6.000	EA							2
031		SN. 5B173Z01	NUT, SPECIAL	FOR: CK, G18, G27, 3A		C	8.000	EA							3
031		SN. 5B173Z01	NUT, SPECIAL	FOR: CK, G18, G27, 3A		C	8.000	EA							4
031		SN. 5B173Z01	NUT, SPECIAL	FOR: CK, G18, G27, 3A		C	8.000	EA							5
032		SC. M2640	SCREW	M25*1.5 (5B173&8B177&H8-H79&G27-B3		C	8.000	EA							1
032		8B 36	SCREW	M25*1.5 (5B173&8B177&H8-H79&G27-B3		C	4.000	EA							2
033		8B273Z01	SCREW	M6*40MM FL.25		C	1.000	EA							1
034		8B272Z01	SCREW	OD: 255 B:40		C	6.000	EA							1
035		8B272Z01	BLOCK, CAM LOCK	OD: 255 ID:62 B:40		C	1.000	EA							1

PARENT PART: APD. B. N. 28  
OP CODE : 2

\*\*\*\*\* PARTS LIST \*\*\*\*\*  
PARENT DESCRIPTION: STANDARD ACCESSORY  
SELECTION : -----

DATE: 05/28/77  
MODEL: YAM-850, 1250, 2000, 2500  
EODATE: 99/99/99

PAGE: 93

SEQ	CATALOG-NO	PART-NUMBER	DESCRIPTION	SPECIFICATION	TYPE	QTY	U/M	UNIT	12	14	56	79	9A	BC
035		SC. M6S16	SCREW	M6*15MM P1.0	C	6.000	EA						1	

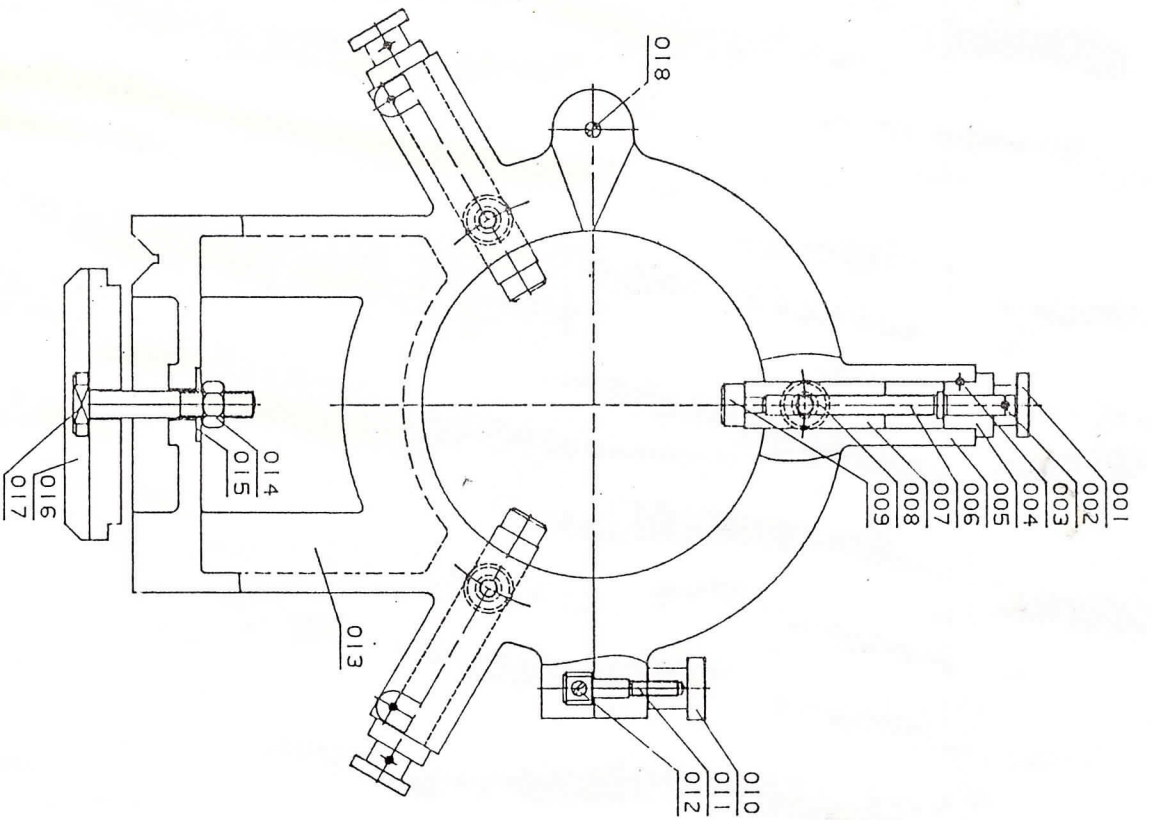
POM201/POM200 YAMAHA WORKS.  
 PARENT PART: APD. B. U. 29  
 CP CODE : 2


\*\*\*\*\* PARTS LIST \*\*\*\*\*  
 PARENT DESCRIPTION: STEADY REST (OPTION)  
 SELECTION :

DATE: 05/20/77  
 MODEL: YAM-850, 1250, 2000, 2500  
 EC DATE: 99/99/99

PAGE:

SEQ	CATALOG-NO	PART-NUMBER	DESCRIPTION	SPECIFICATION	TYPE	QTY	U/M	UNIT	SELECTION				
									12	34	56	78 9A BC	
001		8B127	KNOB		C	3.000	EA						
002		HSP. 5-20	PIN, SPRING	5*20M/M	C	3.000	EA						
003		HSP. 5-35	PIN, SPRING	5*35M/M	C	3.000	EA						
004		8B128	BUSHING		C	3.000	EA						
005		8B178Z01	STEADY REST		C	1.000	EA						
006		8B129Z01	BOLT		C	3.000	EA						
007		8B130-1Z01	SHAFT		C	3.000	EA						
008		8B134Z01	SCREW, SET		C	3.000	EA						
009		8B130-2	BUSHING		C	3.000	EA						
010		8B136Z01	HANDLE GRIP		C	1.000	EA						
011		8B136Z01	BOLT		C	1.000	EA						
012		8B137BZ01	BOLT	M10*1.5	C	1.000	EA				1		
013		8B179HZ01	REST, STEADY		C	1.000	EA				2		
013		8B179LZ01	REST, STEADY		C	1.000	EA				1		
014		SN. M16	NUT		C	1.000	EA						
015		HW. M16-1	WASHER	M16*P2.0 B=23 H=13	C	1.000	KG						
016		8B131	BLOCK, CLAMPING	M16 (C. D.=28MM T=3.0MM)	C	1.000	EA						
017		8Z. 8B133	SCREW	8B133	C	1.000	EA						
018		8B137AZ01	SCREW, LEAD	M10*1.5	C	1.000	EA						2



 楊鐵工廠股份有限公司							
日期	76.11.13	比例	1:3	統一編號		圖號	A.P.D.B.N.29
						版次	0



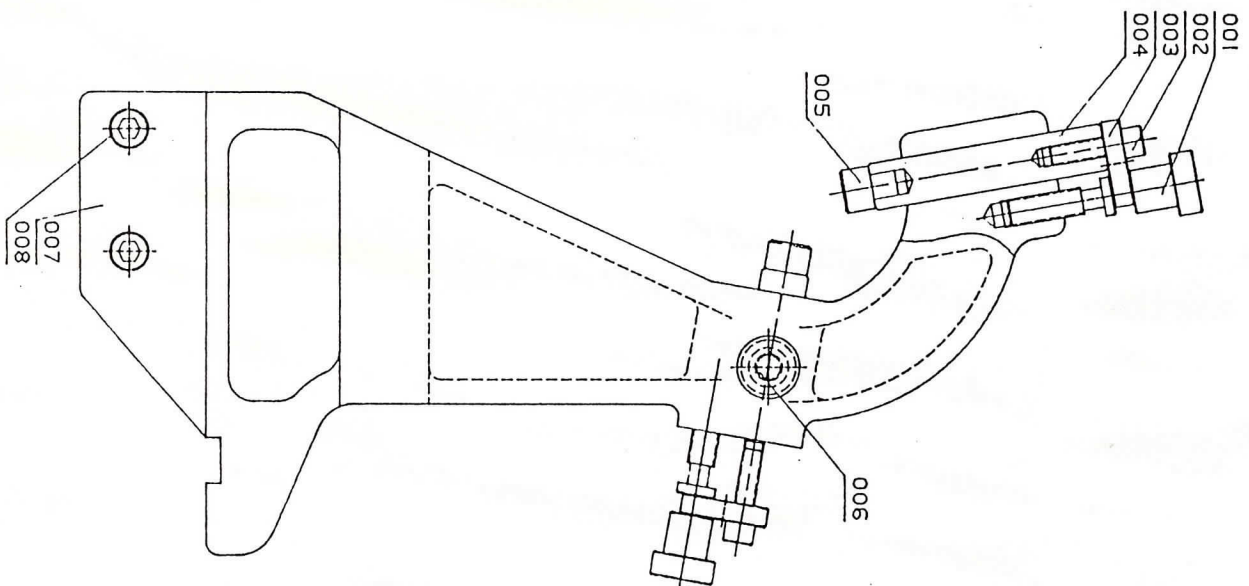
ROM201/PDMPROC YANG WORKS.  
 PARENT PART: APD.B.N.30  
 OP CODE : 2


\*\*\*\*\* PARTS LIST \*\*\*\*\*  
 PARENT DESCRIPTION: FOLLOW REST (OPTION)  
 SELECTION :

DATE: 06/20/77  
 MODEL:YAM-850,1250,2000,2500  
 ECDATE: 99/99/98

SEQ CATALOG-NO PART-NUMBER DESCRIPTION SPECIFICATION TYPE QTY U/M UNIT SELECTION

SEQ	CATALOG-NO	PART-NUMBER	DESCRIPTION	SPECIFICATION	TYPE	QTY	U/M	UNIT	SELECTION
001		SB127Z01	ADJUSTING BOLT		C	2.000	EA		
002	9000201	SC.M8E30	SCREW	M8*30MM P1.25	C	2.000	EA		
003		SB126	WASHER		C	2.000	EA		
004		SB124	BUSHING		C	2.000	EA		
005		SB125	CLAMPING SHAFT		C	2.000	EA		
006		SB134Z01	SCREW, SET		C	2.000	EA		
007		SB180HZ01	REST, FOLLOW		C	1.000	EA		2
007		SB180LZ01	REST, FOLLOW		C	1.000	EA		1
008		SC.M10S40	SCREW	M10*40MM P1.5	C	2.000	EA		



 楊鐵工廠股份有限公司	76.11.13	1:2	統 一 編 號	APD.B.N.30	0
	日期	比例		號 號	

SEQ	CATALOG-NO	PART-NUMBER	DESCRIPTION	SPECIFICATION	TYPE	QTY	U/M	UNIT	SELECTION
001		HSP.3-10	PIN, SPRING	3*10M/M	C	1.000	EA		
002		HK.5850	KEY	5<-2%>-4%)*5(-10%>-20%)*50(-15%>-2	C	1.000	EA		1
003		8B419LZ01	SHAFT		C	1.000	EA		2
003		8B419HZ01	SHAFT		C	1.000	EA		
004		8B416	BASE		C	1.000	EA		
005		SC.M12960	SCREW	M12*60MM P1.75	C	2.000	EA		
006		8B415	LEVER, CLAMPING		C	1.000	EA		
007		8B417	BLOCK, CLAMPING		C	1.000	EA		
008		8B418MZ02	SCREW, LEAD		C	1.000	EA		1
008		8B418EZ02	SCREW, LEAD		C	1.000	EA		2
009		8B406Z01	SLIDE		C	1.000	EA		
010		PG.81/4*3/16	OIL CUP	80*80*50	C	2.000	EA		
011		8B404	SEAT, TOOL HOLDER	1/4"*3/16" ('D')MUST +0.05 TO +0.15	C	1.000	EA		
012		BTB.51202	LOCK NUT	51202	C	2.000	EA		
013		SB132	COVER		C	2.000	EA		
014		8B413	PLATE		C	1.000	EA		
015		8B423	OIL CAP	1/8"	C	1.000	EA		
016		PG.NL1/8	SEAT, SLIDE		C	1.000	EA		
017		8B405	SCREW	M6*18MM P1.0	C	4.000	EA		
018		SC.M6S18	BOLT		C	1.000	EA		
019		8B432Z01	FIN, SPRING	5*20M/M	C	1.000	EA		
020		HSP.5-20	HANDLE GRIP		C	1.000	EA		
021		8B421	PLATE	M10*40MM P1.5	C	2.000	EA		
022		8B410	SCREW, SET		C	1.000	EA		
023		SC.M10S40	SADDLE		C	1.000	EA		
024		8B401	BOLT	M6*23MM P1.25 (SB214*8B29-1&HL-R53&	C	1.000	EA		
025		SZ.8B29-1	PLUG	1/8"PT	C	2.000	EA		
026	9000145	PP.C1/8	GIB		C	1.000	EA		
027		8B427	SCREW, SET	M6*10MM P1.0	C	1.000	EA		
028		SS.M6S10	SPINDLE		C	1.000	EA		
029		8B428	PLATE, STEEL		C	1.000	EA		
030		8B403	SLIDER		C	1.000	EA		
031		8B402	SCREW, SET		C	1.000	EA		
032		SS.M6S16	NUT	M8*16MM P1.25	C	1.000	EA		
033		SN.M12I	SEAT, ROD	M12*P1.75 B=19 H=10	C	1.000	EA		
034		8B430	NUT	M12*P1.75 B=19 H=10	C	1.000	EA		
035		SN.M12I	SCREW	M6*16MM P1.0	C	1.000	EA		
036		SB166	PLATE		C	2.000	EA		
037		SC.M6S16	SCREW	M6*16MM P1.0	C	1.000	EA		
038		8B408	SCREW	M6*16MM P1.0	C	1.000	EA		
039		SC.M6S16	SCREW	M10*40MM P1.5	C	4.000	EA		
040		SC.M10S40	PIN, SPRING	5*20M/M	C	4.000	EA		
041		HSP.5-20	PLATE	M6*16MM P1.0	C	1.000	EA		
042		8B407	SCREW	M20*P2.5 B=30 H=16	C	4.000	EA		
043		SC.M6S16	ROD, SCREW	1/8"	C	1.000	EA		
044		8B414	NUT		C	5.000	EA		
045		SN.M20	OIL CAP		C	1.000	EA		
046		PG.NL1/8	SEAT		C	1.000	EA		
047		8B429			C	1.000	EA		

EON201/PR:RROC YANG WORKS.  
 PARENT PART : APD. B. N. 31  
 OP CODE : 2

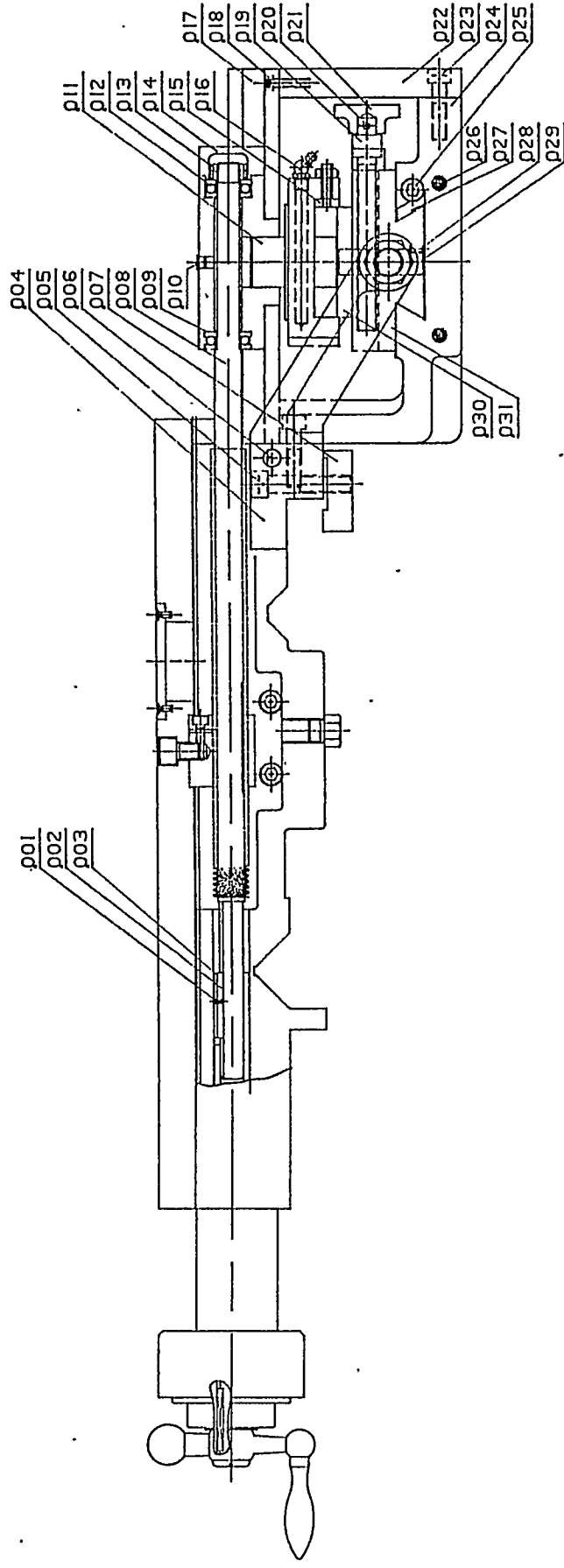
PARENT DESCRIPTION : TAPER ATTACHMENT (OPTION)  
 SELECTION : -----


DATE : 06/20/77  
 MODEL : YAM-850, 1,250, 2000, 2500  
 EODATE : 99/99/98

PAGE :  
 99

SEQ	CATALOG-NO	PART-NUMBER	DESCRIPTION	SPECIFICATION	TYPE	QTY	U/M	UNIT	12	34	56	78	9A	BC
048		SN. M12I	NUT	M12*P1.75 B=19 H=10	C	1.000	EA							
049		8B431201	SEAT		C	1.000	EA							
050		SH. M8-15	SCREW	(14) M8*15MM P1.25	C	2.000	EA							
051		8B433	SEAT, PLATE		C	1.000	EA							
052		HSP. 3-14	PIN, SPRING	3*14MM/M	C	1.000	EA							
053		SF+. M6-10	SCREW	M6*10MM P1.0	C	2.000	EA							
054		SB412	BOLT		C	1.000	EA							
055		8B409	GTR		C	1.000	EA							
056		SB411	PLATE		C	1.000	EA							
057	1511000	SN. P1.0	NUT	M6*P1.0	C	2.000	EA							

SELECTION




 楊鐵工廠股份有限公司

76.11.13

日期

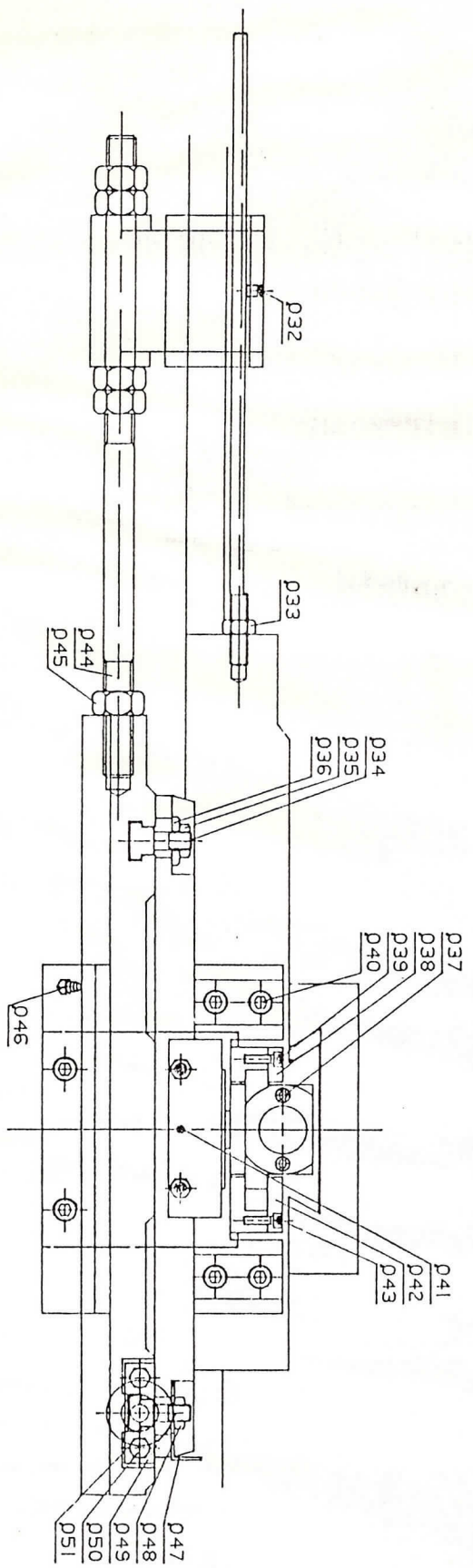
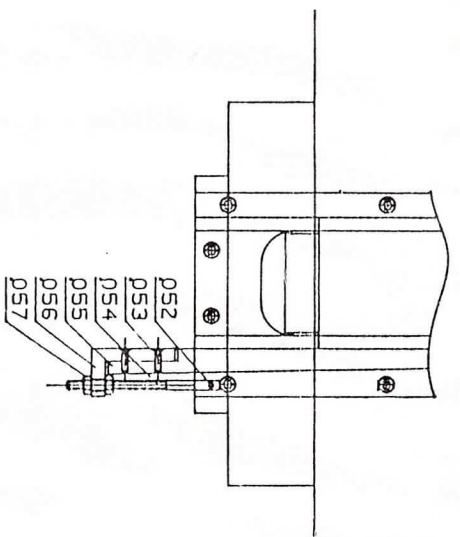
1:3


比例

APD.B.N.31.P1

00

圖號	統一編號	圖號	版次



 棉鉄工廠股份有限公司	76.11.13	1:3	统一编号	APD.B.N.31.P2	0
	日期	比例			

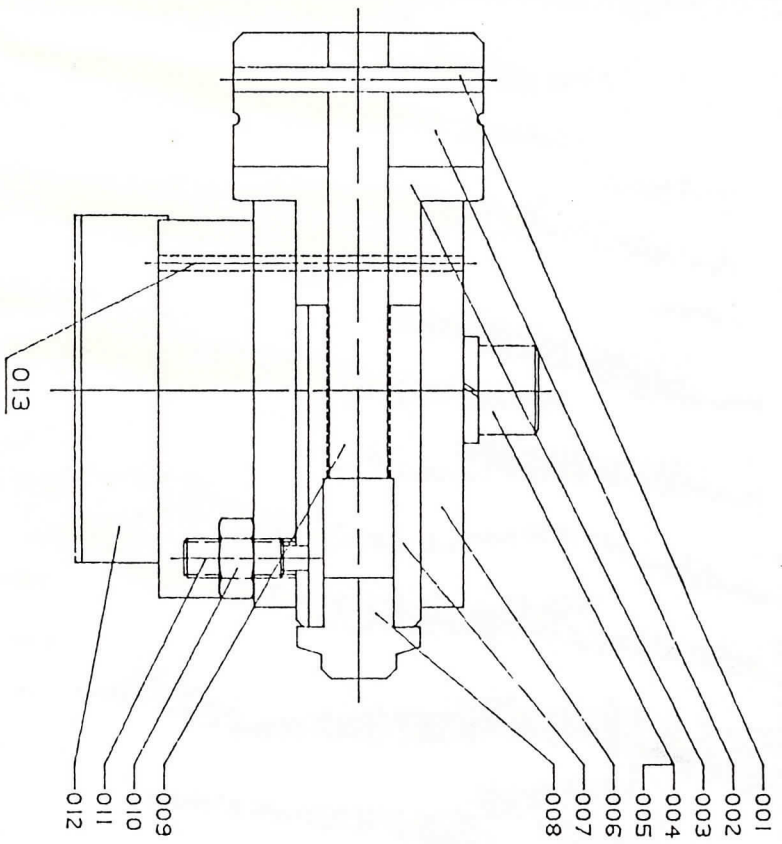
BOM201./PDMPROC YANG WORKS.  
 PARENT PART: APD. B. N. 32  
 OP CODE : 2


\*\*\*\*\* PARTS LIST \*\*\*\*\*  
 PARENT DESCRIPTION: MICROMETER STOP (OPT.)  
 SELECTION :

DATE: 06/20/77  
 MODEL: YAM-850, 1250, 2000, 2500  
 EC DATE: 99/99/98

SELECTION  
 12 34 56 78 9A BC

SEQ CATALOG-NO	PART-NUMBER	DESCRIPTION	SPECIFICATION	TYPE	QTY	U/M	UNIT
001	HSP. 5-50	PIN, SPRING	5*50M/M	C	1.000	EA	
002	5B161	RING, GRADUATED		C	1.000	EA	
003	5B162	SEAT, SHAFT		C	1.000	EA	
004	SC. M12S90	SCREW	M12*90MM P1.75	C	1.000	EA	
005	HW. M12-1	WASHER	M12 (O. D.=22MM T=2.3MM)	C	1.000	KG	
006	8B182	SEAT		C	1.000	EA	
007	5B164-2Z01	SHAFT, SLIDE		C	1.000	EA	
008	5B164-1	RUSHING, SLIDE SHAFT		C	1.000	EA	
009	5B163Z01			C	1.000	EA	
010	SN. M8	NUT	M8*P1.25 (B=12 H=6.5)	C	1.000	EA	
011	SS. M8S25B	SET SCREW	M8*25MM P1.25	C	1.000	EA	
012	5B167	BLOCK, CLAMPING		C	1.000	EA	
013	HSP. 5-56	PIN, SPRING	5*56M/M	C	1.000	EA	



	楊鐵工廠股份有限公司					
	76.11.13	1:1	統一編號	APD.B.N.32	圖號	00
日期	比例	號	號	號	號	次



RCM201/PDMPROC YANG WORKS.  
 PARENT PART: APD.B.N.33  
 CP CODE : 2

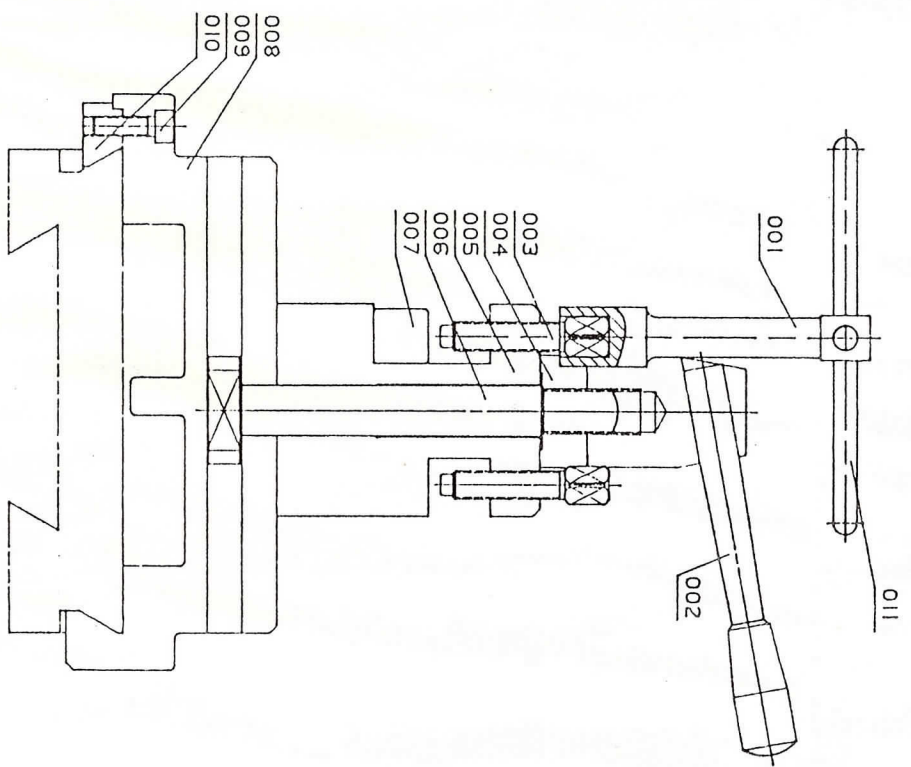
\*\*\*\*\* PARTS LIST \*\*\*\*\*  
 PARENT DESCRIPTION: REAR SQUARE TOOL HOLDER  
 SELECTION :


DATE: 06/20/77  
 MODEL: YAM-850, 1250, 2000, 2500  
 ECDATE: 99/99/98

SFLFCITION

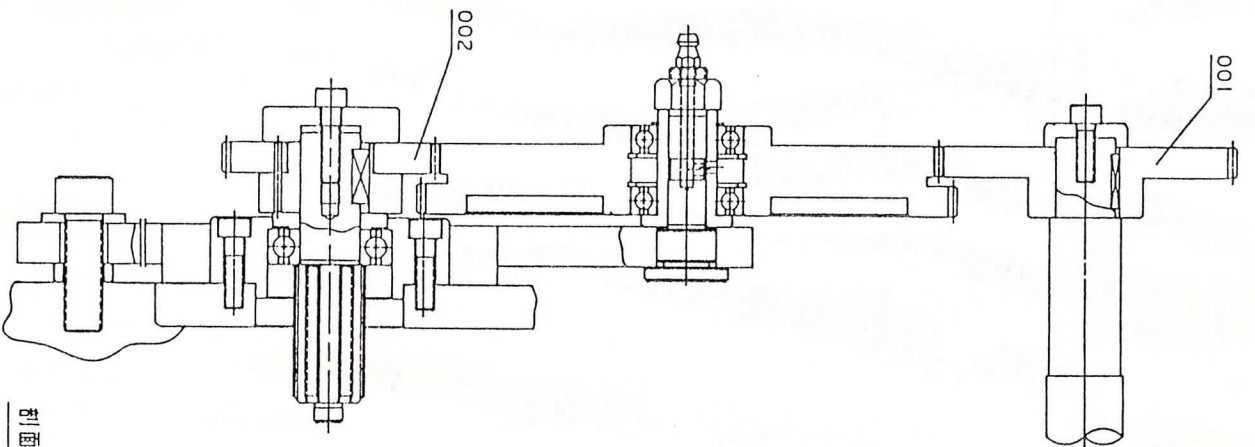
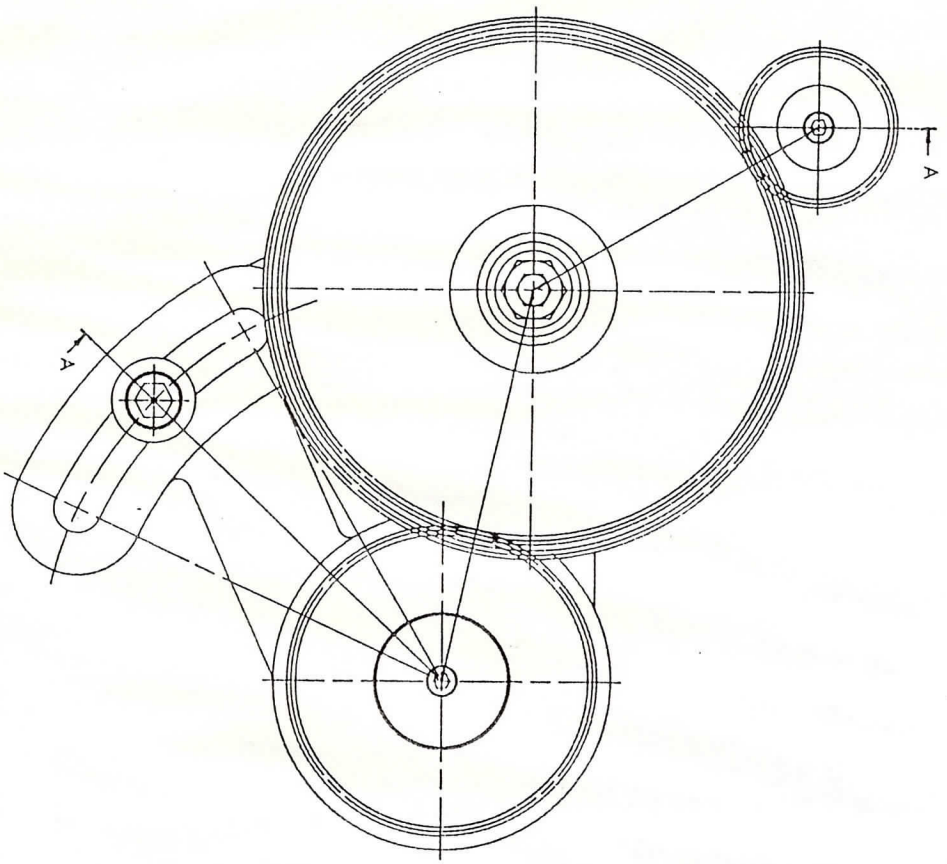
SEQ CATALOG-NO PART-NUMBER DESCRIPTION SPECIFICATION TYPE QTY U/M UNIT 12 34 56 78 9A BC

SEQ	CATALOG-NO	PART-NUMBER	DESCRIPTION	SPECIFICATION	TYPE	QTY	U/M	UNIT	12	34	56	78	9A	BC
001		SB 79	SPANNER		C	0.000	EA							
002		SR 77Z01	LOCK HANDLE		C	1.000	EA							
003		SB 78	BOLT		C	4.000	EA							
004		SB 76	NUT		C	1.000	EA							
005		8B205	TOOL HOLDER		C	1.000	EA							
006		8B202Z01	SHAFT		C	1.000	EA							
007		5B209	TOOLHOLDER		C	1.000	EA							
008		6B201H	SEAT, TOOL HOLDER		C	1.000	EA							2
009	9000553	8B201L	SEAT, TOOL HOLDER		C	1.000	EA							1
010		9C.M8S25	SCREW	M8*25MM P1.25	C	2.000	EA							
011		5B208	PLATE		C	1.000	EA							
		SR 80	SPANNER HANDLE		C	0.000	EA							




	楊鐵工廠股份有限公司			
	76.11.13	1:2	統一	號
日期	比例	號	號	號
				APD.B.N.33
				號
				0
				次

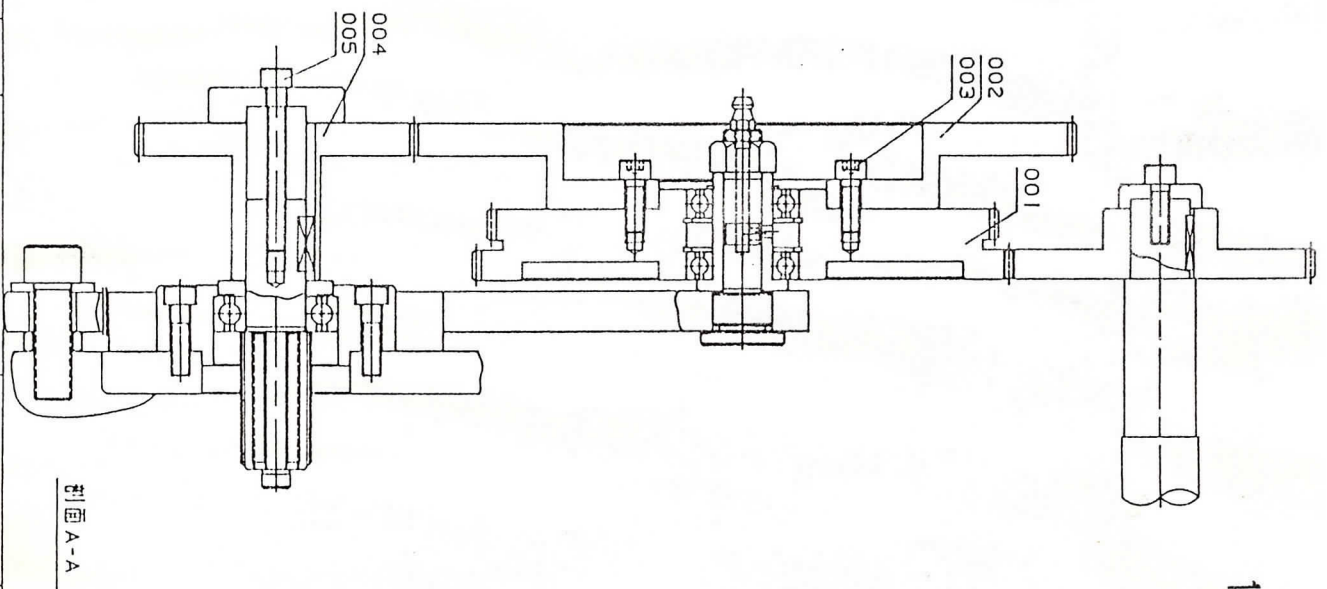
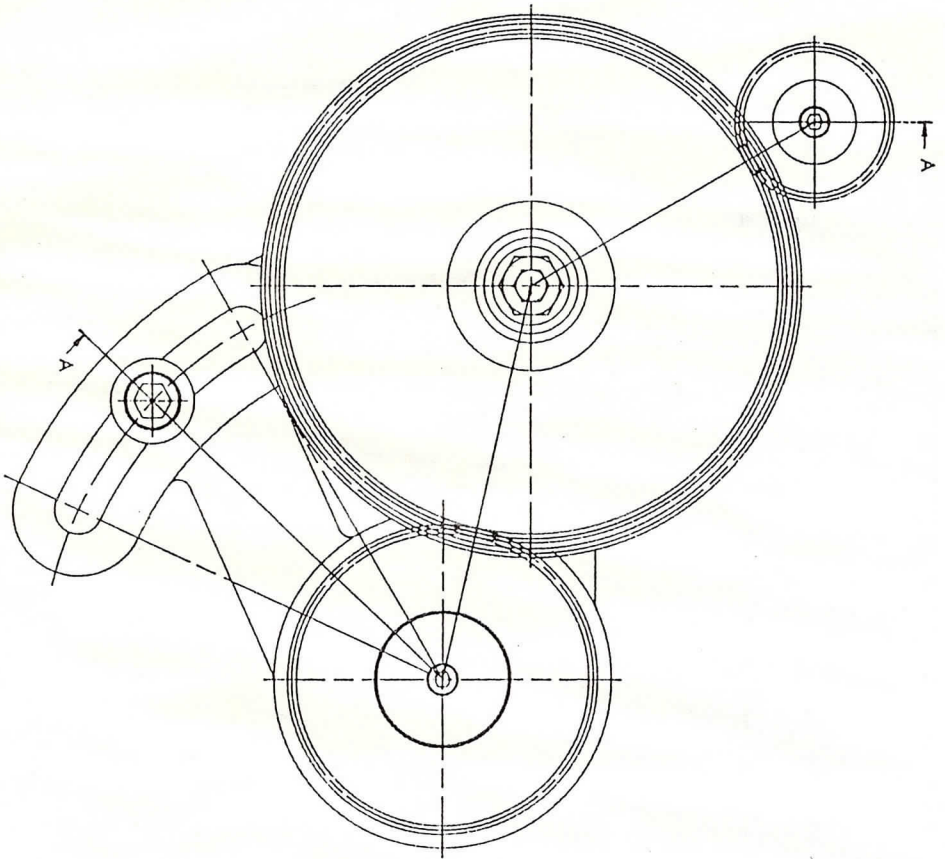




剖面 A-A

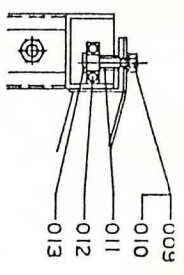
 楊鐵工廠股份有限公司	77.04.25	1:2	統一編號	A.P.D.B.N.34	圖號	版次
	日期	比例				



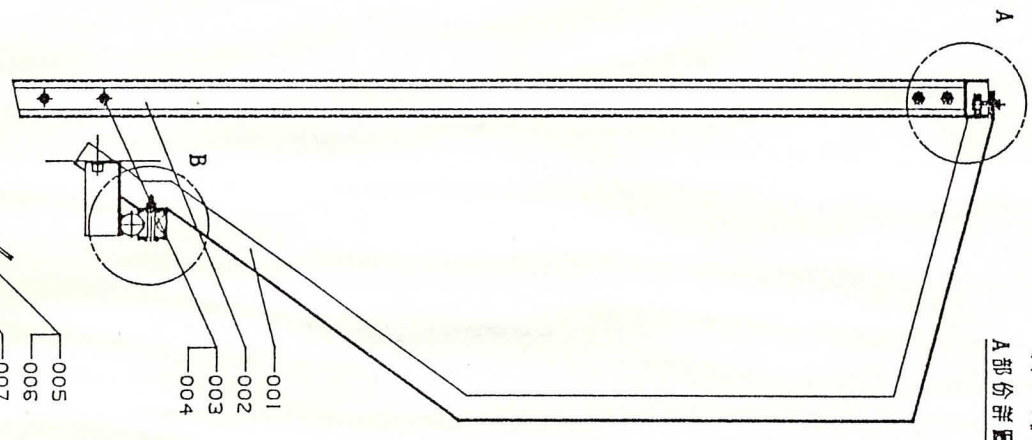


	棉铁工廠股份有限公司			
	日期	77.04.25	比例	1:2
统一	号	号	号	号
APD.B.N.35	图	号	号	号
01	版	次		

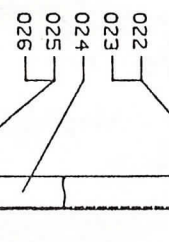
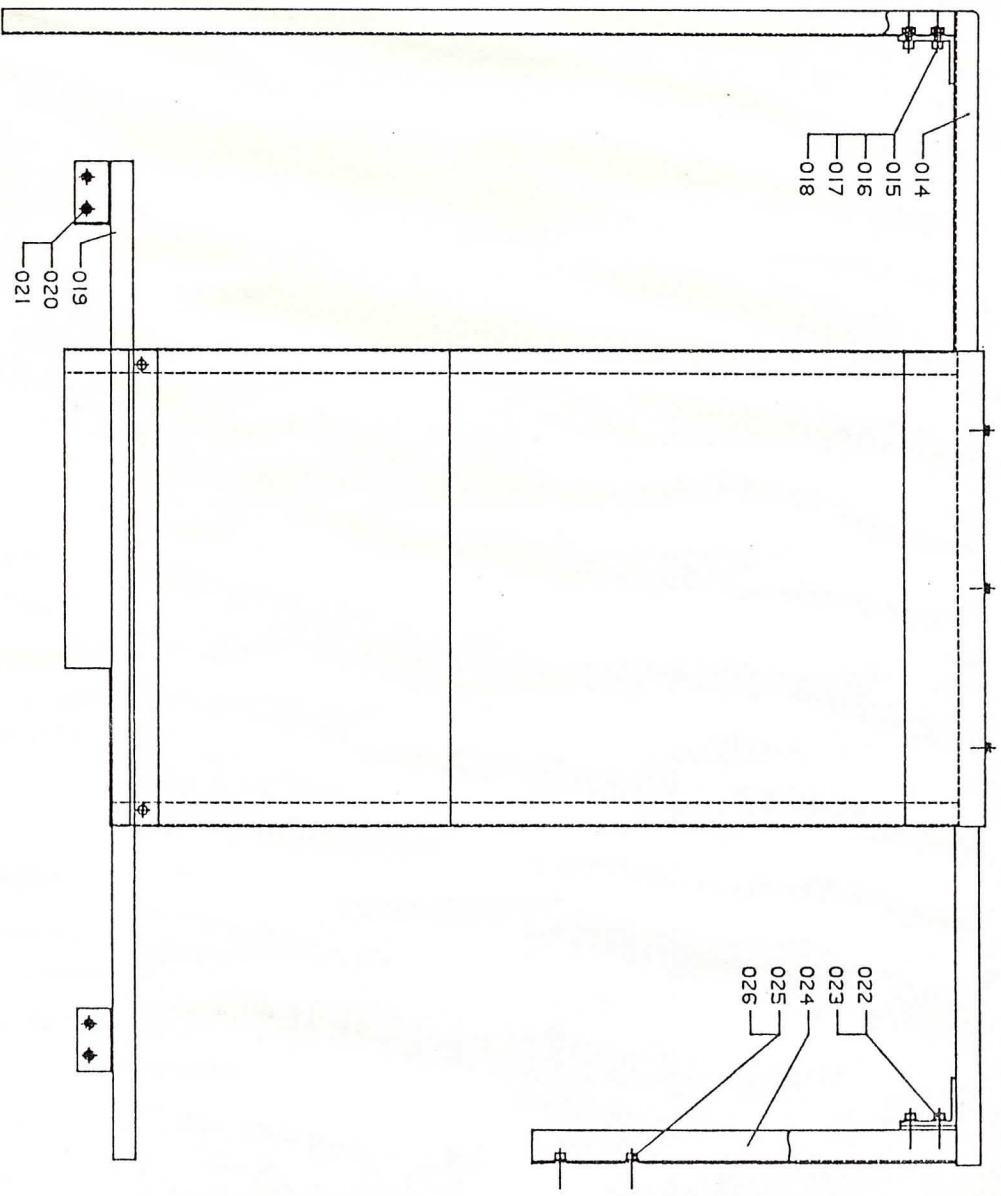
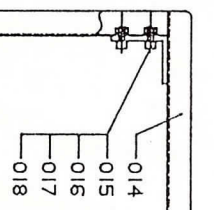
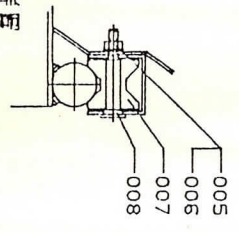
SEQ	CATALOG-NO	PART-NUMBER	DESCRIPTION	SPECIFICATION	TYPE	QTY	U/M	UNIT	SELECTION
001		8B258- 1			C	1.000	EA		1
002		8B258- 2			C	1.000	EA		2
003		SC. M6S14	SCREW	M8*14MM P1.25	C	2.000	EA		3
004	3025000	HW. S-M8	WASHER, SPRING	M8*3#	C	2.000	EA		4
005	1512000	HW. S-M6	WASHER, SPRING	M6*3#	C	2.000	EA		5
006	1511000	SN. M6	NUT	M6*P1.0	C	2.000	EA		
007		8B258-10			C	2.000	EA		
008		8B258- 7			C	2.000	EA		
009	1512000	HW. S-M6	WASHER, SPRING	M6*3#	C	3.000	EA		
010	1511000	SN. M6	NUT	M6*P1.0	C	3.000	EA		
011		8B258- 9			C	3.000	EA		
012		RP. 6000	BEARING	6000	C	3.000	EA		
013		8B258- 6			C	3.000	EA		
014		8B258- 4- 850			C	1.000	EA		
014		8B258- 4-1250			C	1.000	EA		
014		8B258- 4-1500			C	1.000	EA		
014		8B258- 4-2000			C	1.000	EA		
014		8B258- 4-2500			C	1.000	EA		
015		SC. M6S20	SCREW	M8*20MM P1.25	C	2.000	EA		
016	3025000	HW. S-M8	WASHER, SPRING	M8*3#	C	2.000	EA		
017	8132000	HW. M8	WASHER	M8 (O. D=20MM T=1.5MM)	C	2.000	EA		
018		SN. M8	NUT	M8*P1.25 (B=12 H=6.5)	C	2.000	EA		
019		8B258- 8- 850			C	1.000	EA		1
019		8B258- 8-1250			C	1.000	EA		2
019		8B258- 8-1500			C	1.000	EA		3
019		8B258- 8-2000			C	1.000	EA		4
019		8B258- 8-2500			C	1.000	EA		5
020		SC. M6S14	SCREW	M8*14MM P1.25	C	4.000	EA		
021	3025000	HW. S-M8	WASHER, SPRING	M8*3#	C	4.000	EA		
022		SC. M6S14	SCREW	M8*14MM P1.25	C	2.000	EA		
023	3025000	HW. S-M8	WASHER, SPRING	M8*3#	C	4.000	EA		
024		8B258- 3			C	1.000	EA		
025		SC. M6S14	SCREW	M8*14MM P1.25	C	2.000	EA		
026	3025000	HW. S-M8	WASHER, SPRING	M8*3#	C	2.000	EA		



A部分詳圖



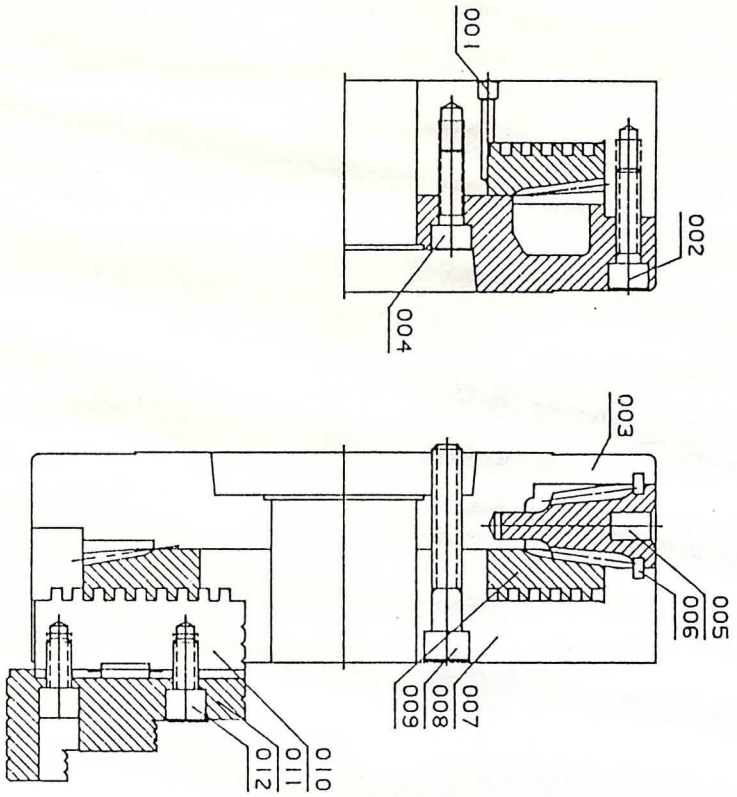
B部分詳圖




	76.09.17		APD.B.N.36		00
	日期	比例	统一编号	号	版本
钢铁厂股份有限公司					

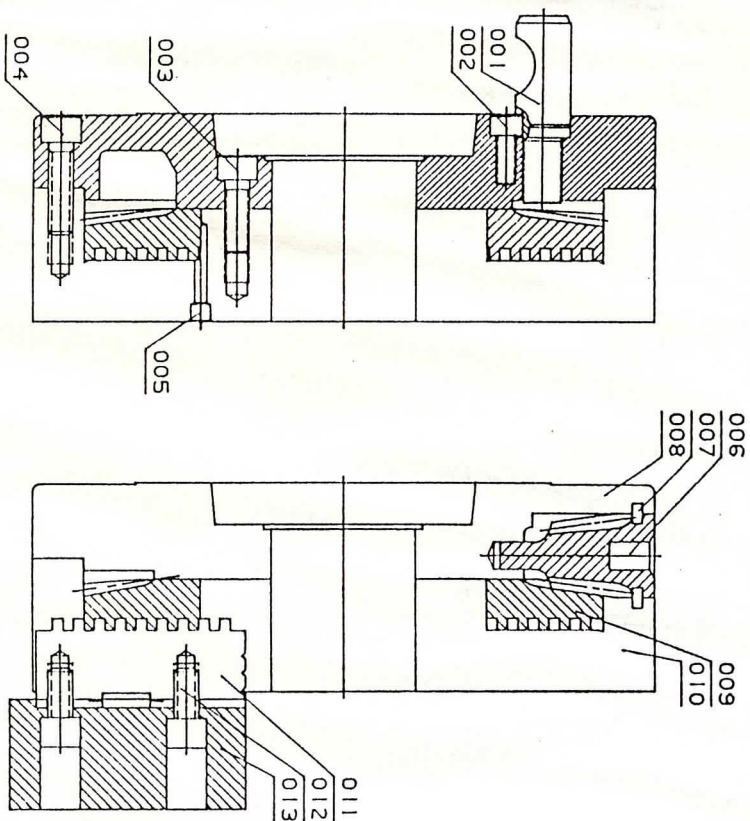







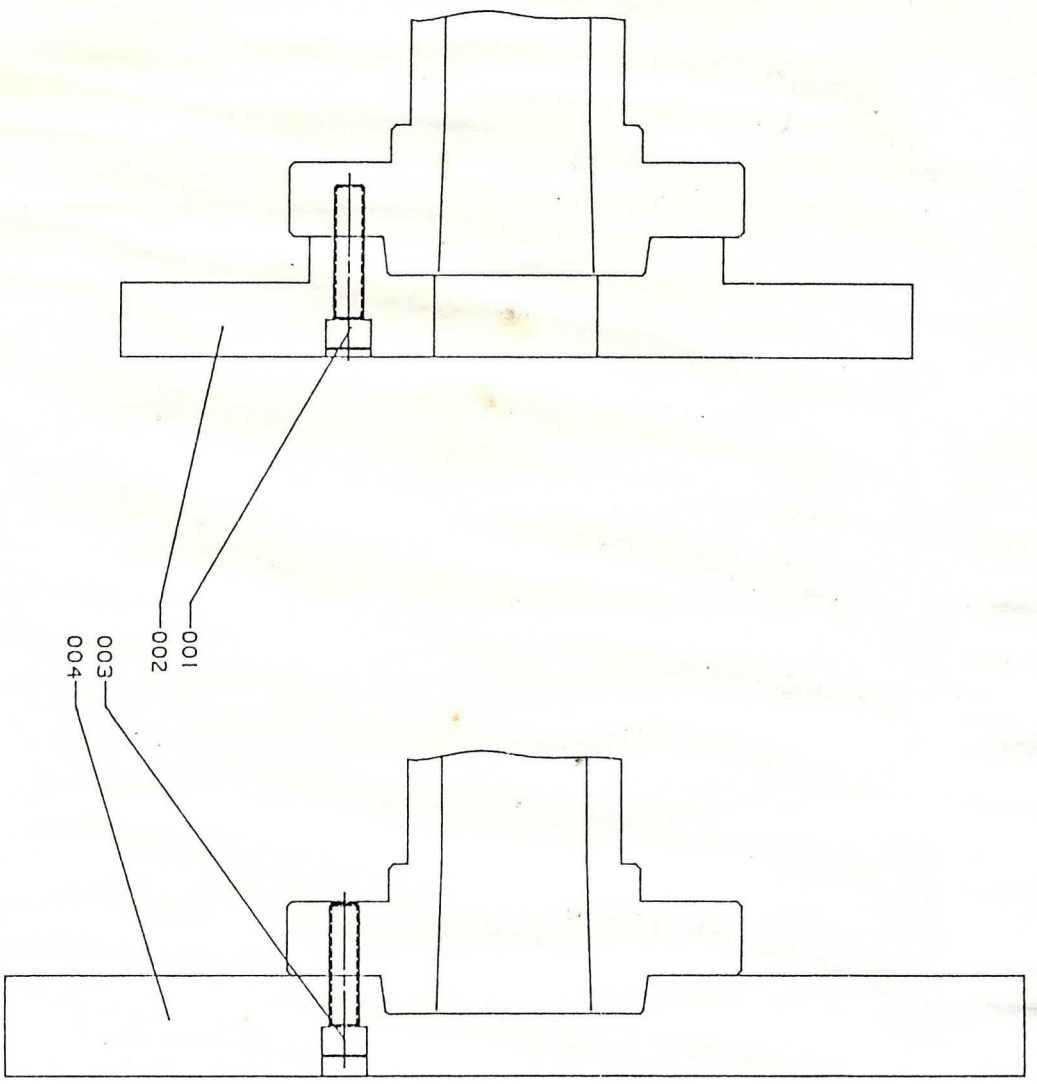
		楊鐵工廠股份有限公司				APD.B.N.37		0	
日期	76.11.17	比例	1:2	統一	編號	號	號	號	次






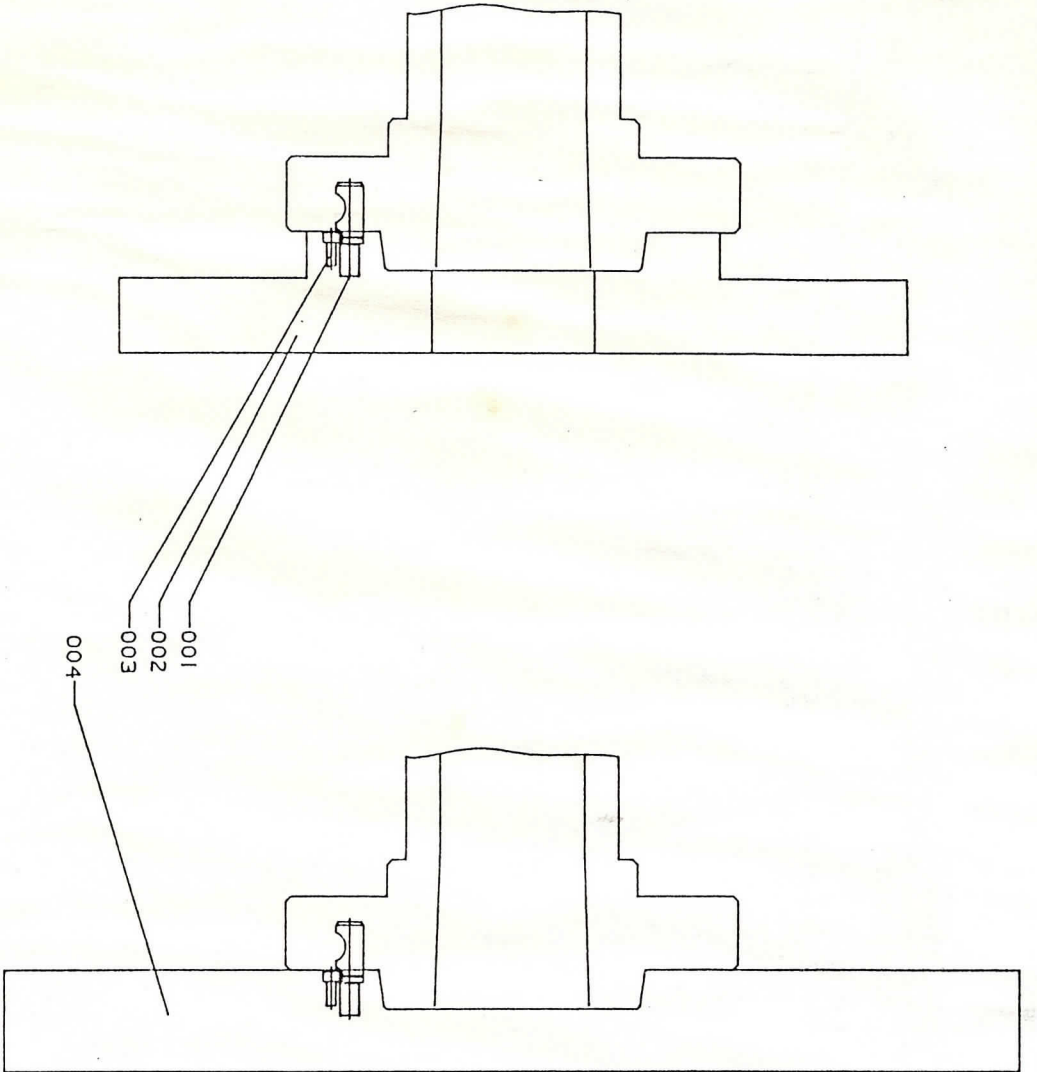
		楊鐵工廠股份有限公司	
日期	76.11.17	比例	1:2
图号	统一	图号	APD.B.N.38
版本	0		






	標鐵工廠股份有限公司			
	日期	比例	統一 建號	APD.B.N.39 號
76.11.19	1:2			0 版次





		楊鐵工廠股份有限公司	
日期	76.11.19	比例	1:2
統一編號		號	
APD.B.N.40		號	
版次	0		



DATE: 06/20/77  
 MODEL: YAM-850, 1250, 2000, 2500  
 EC DATE: 99/99/99

\*\*\*\*\* PARTS LIST \*\*\*\*\*  
 PARENT PART: APD. B.M. 4 M  
 PARENT DESCRIPTION: DRIVER PLATE & FACE PLATE  
 OP CODE : 2  
 SELECTION :

SELECTION  
 12 34 56 78 9A BC

SEQ	CATALOG NO	PART NUMBER	DESCRIPTION	SPECIFICATION	TYPE	QTY	U/M	UNIT	12	34	56	78	9A	BC
001	?	8B175A-1Z01	PULLEY		C	1.000	EA		1	1				2
001	?	8B175A-2Z01	PULLEY		C	1.000	EA		2	J				2
001	?	8B175B-2Z01	PULLEY		C	1.000	EA		3	1				2
001	?	8B175B-1Z01	PULLEY		C	1.000	EA		1	2				2
001	?	8B175B-2Z01	PULLEY		C	1.000	EA		2	2				2
001	?	8B175B-2Z01	PULLEY		C	1.000	EA		3	2				2
001	?	8B175B-1Z01	PULLEY		C	1.000	EA		1	1				2
001	?	8B175B-2Z01	PULLEY		C	1.000	EA		2	1				2
001	?	8B175B-2Z01	PULLEY		C	1.000	EA		3	1				2
001	?	8B175C-1Z01	PULLEY		C	1.000	EA		1	2				2
001	?	8B175C-2Z01	PULLEY		C	1.000	EA		2	2				2
001	?	8B175C-2Z01	PULLEY		C	1.000	EA		3	2				2
002		8B 42201	PULLEY		C	0.000	EA							2

PARENT PART: 4401 B. N. 42  
 CP CODE : 2

PARENT DESCRIPTION: OTHERS  
 SELECTION :

DATE: 06/29/72  
 MODEL:  
 ECRATE: 99/99/99

SEG	CATALOG-NO	PART-NUMBER	DESCRIPTION	SPECIFICATION	TYPE	QTY	UNIT	UNIT	12	34	56	78	94	80
001		EM-M-1.25		1.25M/M12 (100PCS)	C	40.000	EA							
002		EM-M-3.5		3.5M/M12 (100PCS)	C	20.000	EA							
003		EM-M-5.5		5.5M/M12 (100PCS)	C	20.000	EA							
004		EM-S-3.5		3.5M/M12 (100PCS)	C	20.000	EA							
005		EM-S-5.5		5.5M/M12 (100PCS)	C	20.000	EA							
006		ET-1.25-S4A		1.25-S4A	C	50.000	EA							
007		ET-2-5		2-5	C	8.000	EA							
008		ET-3.5-5		3.5-5	C	16.000	EA							
009		ET-5.5-5		5.5-5	C	16.000	EA							
010		EWC-1.2514C		1.25M/M12+4C	C	1.000	M							
011		EWC-3.514C		3.5M/M12+4C	C	3.000	M							
012		EWC-5.514C		5.5M/M12+4C	C	3.000	M							
013		EWC-0.7512C		0.75M/M12+2C	C	6.000	M							
014		EWC-0.514C		0.5M/M12+4C (20C/0.15X/Y.Y.P.B)	C	1.000	M							
015		EM-CV100		(K.C.C) CV-100 (L=100M/M)	C	20.000	EA							
017		EM-CV150		(K.C.C) CV-150 (L=150M/M)	C	10.000	EA							
018		UH-C-R32		(C.P.C) R32H	C	7.000	LT							